

ISO “L” Style Vacuum Filters

WL Series NW16 - NW40 FLG

Features

- ISO flange connections
 - Stainless steel ISO flange
 - Buna o-ring sealed
- Seamless drawn housings
- Corrosive resistant carbon steel construction
- Powder coat finish (black models)
- O-ring housing seal
- Stainless steel torsion clips

Technical Specifications

- Vacuum Leak Rate: 1×10^{-5} mbar/l/sec
- Vacuum Rating: medium vacuum service*
- Temp (continuous): min -15°F (-26°C) max 220°F (104°C)
- Filter change out differential: 28 – 37 Torr over initial ΔP
- Polyester: 99%+ removal efficiency standard to 5 micron
- Paper: 99%+ removal efficiency standard to 2 micron

Options



- Contact factory for larger sizes & ISO flanges
- Viton seals
- Stainless steel (select models)
- Activated alumina, activated zeolite media available for foreline trap and other applications

Applications

- Prevent dry scroll tip seal migration
- Vacuum coating
- Trap condensable vapors
- Protect against backstreaming
- Polycrystalline silicone ingot production
- Solar cell lamination
- Thin-film manufacturing



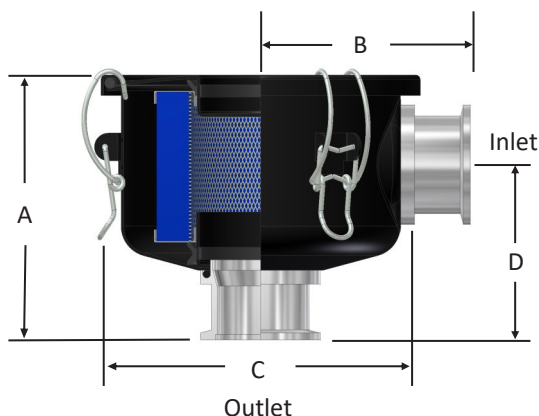
Black Housing Finish



Electroless Nickel Housing Finish

Rev: ISOWL-US1904K

WL Series NW16 - NW40 FLG



SS ISO Flange w/Black Filter Assembly Finish

ISO Flg Inlet & Outlet	Assembly SCFM Rating	Assembly Part Number		Dimensions - inches				Suggested Service ht. inches	Approx. Weight lbs.	Replacement Element Part No.		Element SCFM Rating
		Polyester	Paper	A	B	C	D			Polyester	Paper	
NW16	23	WL-825-NW16B	WL-824-NW16B	3 7/8	2 5/8	3 3/4	2 1/4	3	0.88	825	824	25
NW25	25	WL-825-NW25B	WL-824-NW25B	3 7/8	2 5/8	3 3/4	2 1/4	3	0.88	825	824	25
NW25	35	WL-843-NW25B	WL-842-NW25B	4 3/8	3 3/8	5 3/4	2 5/8	3	3	843	842	55
NW40	55	WL-843-NW40B	WL-842-NW40B	4 3/4	3 3/4	5 3/4	3 1/8	3	3	843	842	55
NW40	80	WL-849-NW40B	WL-848-NW40B	7 3/16	4 5/8	7 3/8	5	5	5	849	848	115
K63	175	WL-851-K63B	WL-850-K63B	11 11/16	6	8 12/16	6 1/2	9	15	851	850	290
K100	300	WL-239-K100B	WL-238-K100B	16 1/8	8 3/4	13 1/4	8 9/16	10	33	239	238	570

SS ISO Flange w/Electroless Nickel Filter Assembly Finish

ISO Flg Inlet & Outlet	Assembly SCFM Rating	Assembly Part Number		Dimensions - inches				Suggested Service ht. inches	Approx. Weight lbs.	Replacement Element Part No.		Element SCFM Rating
		Polyester	Paper	A	B	C	D			Polyester	Paper	
NW16	23	WL-825-NW16EN	WL-824-NW16EN	3 7/8	2 5/8	3 3/4	2 1/4	3	0.88	825	824	25
NW25	25	WL-825-NW25EN	WL-824-NW25EN	3 7/8	2 5/8	3 3/4	2 1/4	3	0.88	825	824	25
NW25	35	WL-843-NW25EN	WL-842-NW25EN	4 3/8	3 3/8	5 3/4	2 5/8	3	3	843	842	55
NW40	55	WL-843-NW40EN	WL-842-NW40EN	4 3/4	3 3/4	5 3/4	3 1/8	3	3	843	842	55
NW40	80	WL-849-NW40EN	WL-848-NW40EN	7 3/16	4 5/8	7 3/8	5	5	5	849	848	115
K63	175	WL-851-K63EN	WL-850-K63EN	11 11/16	6	8 12/16	6 1/2	9	15	851	850	290
K100	300	WL-239-K100EN	WL-238-K100EN	16 1/8	8 3/4	13 1/4	8 9/16	10	33	239	238	570

Rated flows are determined based upon atmospheric conditions, for exact sizing or larger flows, please contact factory.

*See Vacuum Filter Technical Data for vacuum service data and sizing guidelines.



SOLBERG

www.solbergmfg.com

All model offerings and design parameters are subject to change without prior notice. Contact your representative or Solberg for the most current information.

Medium to High Vacuum Filtration

WL Vacuum Series K100 - K320

Overview

Solberg's WL Series Vacuum Filters are designed for a variety of industrial and semicon processes where rapid thermal and/or pressure cycles create harsh operating conditions.

Ideal for medium-high vacuum applications that utilize vacuum furnaces or deposition tools, the WL series comes standard with a variety of vacuum rated flange options and replaceable filter elements that offer superior protection and longevity for the vacuum system.

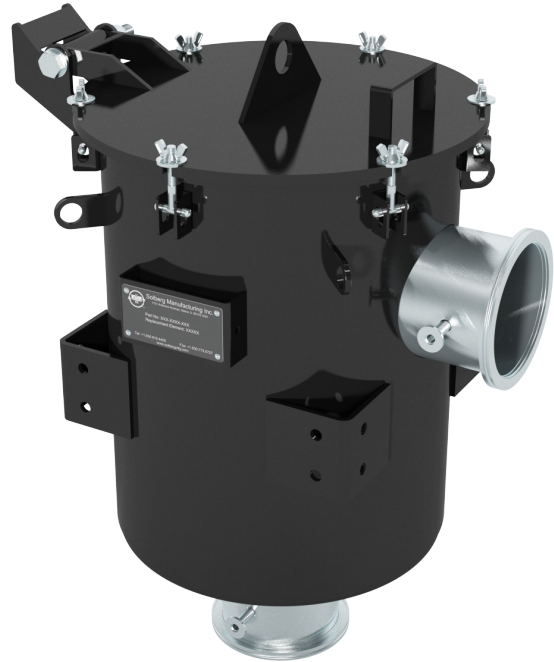
Housings in this series are 100% helium leak tested to ensure vacuum integrity and verify leak rates down to 1×10^{-5} mbar/l/s.

Features

- ISO-K stainless steel flanges standard
- Machined flange surface to RMS63, uncoated
- High quality vacuum service components
- Corrosive resistant black powder coat carbon steel
- KF10 differential ports for accurate vacuum ΔP readings
- Machined & polished sealing surfaces on ISO flange faces for reliable vacuum performance on all flange types
- K200 housings and larger have domed lid to minimize deflection and increase durability

Technical Specifications

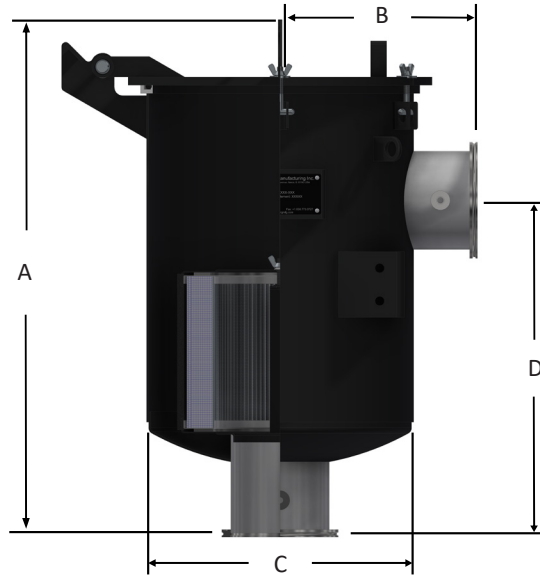
- Rated vacuum leak rate of 1×10^{-5} mbar/l/sec or better (verified by helium leak test)
- Temp (continuous): min -15°F (-26°C) max 220°F (104°C)
- Filter change out differential: 28 – 37 Torr over initial ΔP
- Polyester: 99%+ efficiency to 5 micron
- Paper: 99%+ efficiency to 2 micron



K200 and larger configuration

Rev: WL-US1904K

WL Vacuum Series K100 - K320



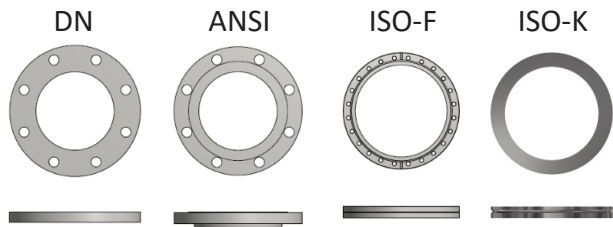
ISO-K Inlet & Outlet	Assembly SCFM Rating	Assembly Part Number	Dimensions - inches				Suggested Service Ht. inches	Replacement Element Part No.	Element SCFM Rating
			A	B	C	D			
K100	520	WL-235P-K100	28 ³ / ₁₆	9	12 ¹ / ₄	18 ¹ / ₂	10	235P	570
K100	520	WL-335P-K100	28 ³ / ₁₆	9	12 ¹ / ₄	18 ¹ / ₂	15	335P	800
K160	1100	WL-275P-K160	30 ³ / ₁₆	12	16 ¹ / ₄	20 ¹ / ₂	10	275P	1100
K160	1100	WL-375P-K160	30 ³ / ₁₆	12	16 ¹ / ₄	20 ¹ / ₂	15	375P	1500
K200	1800	WL-377P-K200	44	14	20 ³ / ₈	25 ¹ / ₂	15	377P	1825
K250	2900	WL-385P-K250	53 ¹¹ / ₁₆	16 ¹ / ₈	24 ³ / ₈	34	15	385P	3295
K320	4670	WL-485P-K320	53 ¹¹ / ₁₆	16 ¹ / ₈	24 ³ / ₈	34	22	485P	4705
K320	4953	WL-685P-K320	64 ⁷ / ₈	16 ¹ / ₈	24 ³ / ₈	45	29	685P	6600

Rated flows are determined based upon atmospheric conditions, for exact sizing please contact factory.
Special configurations available upon request.

Options ATEX Available

- Filter media options available to meet strict process requirements: PTFE, PTFE Glass, SS mesh, and more
- If required, tanks can be tested to a lower leak rate. Please contact factory.

Flange Types Available:



www.solbergmfg.com

All model offerings and design parameters are subject to change without prior notice.
Contact your representative or Solberg for the most current information.

Technical Data

Inlet Vacuum Filters

Applications & Equipment

- Industrial & Severe Duty
- Vacuum Pumps & Systems: Roots, Rotary Vane, Screw, Piston
- Vacuum Packaging Equipment
- Vacuum Furnace
- Blowers: Side Channel & P.D.
- Vacuum Lifters
- Intake Suction Filters
- Food Industry
- Woodworking/Routers
- Ash Handling
- Printing Industry
- Medical/Hospital
- Remote Installations for Piston & Screw Compressors
- Paper Processing
- Waste Water Aeration
- Cement Processing
- Bag House Systems
- Vacuum Vent Breathers
- Chemical Processing
- Factory Automation Equipment
- Leak Detection Systems

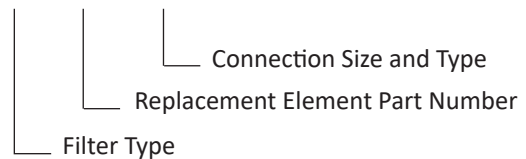
Identification

Standard Solberg assemblies should have an identification label/nameplate that gives the following information:

- Assembly Model #
- Replacement Element #

The part number designates the filter type, the element configuration and housing connection size. For example, the following part number identifies the filter as being a “CSL” design filter with a “235” element, “P” prefilter and 4” flange connection size.

CSL-235P-400F



Vacuum Service Rating Chart

Threaded vacuum filter connections must be free of defect and properly sealed to achieve deeper vacuum levels. Vacuum service levels are given for reference only and serve as a guideline for product selection. Product certification and alternative designs are available for applications requiring deeper vacuum levels and specific leak rates. Please contact factory for details.

Vacuum Level	Pressure (mbar)	Pressure (Torr)	Pressure (Pa)
Atmospheric Pressure	1013	760	1.013x10 ⁺⁵
Coarse Vacuum	1013 to 33	760 to 25	1x10 ⁺⁵ to 3x10 ⁺³
Medium Vacuum	33 to 1.3x10 ⁻³	25 to 1x10 ⁻³	3x10 ⁺³ to 1x10 ⁻¹
High Vacuum	1.3x10 ⁻³ to 1.3x10 ⁻⁹	1x10 ⁻³ to 1x10 ⁻⁹	1x10 ⁻¹ to 1x10 ⁻⁷

Rev: IVTD-US1904K

Inlet Vacuum Filters

Choosing the Best Filter for Your Equipment

A. When the connection & airflow is known:

1. select the appropriate connection style. (i.e.: MPT, Flange, NPSC, etc.)
2. check assembly SCFM (flow) rating. Compare with your required airflow.

(Note: Assembly flow ratings are based on 6,000 FPM or 30m/sec for a given connection size to achieve low pressure drop performance. When required flow exceeds assembly flow rating, the pressure drop through the outlet connection will increase. In such cases select by element SCFM (flow) rating.)

3. when required flow rating matches connection size; skip to “C. Selecting Elements”.

B. When the connection size is unknown, flexible, or the required flow rating exceeds assembly flow rating:

1. match required flow rating with the element flow rating.
2. choose related connection size.

C. Selecting Elements: The filter performance is influenced by the actual application duty and the equipment it is installed on. Regular maintenance checks and proper servicing is required.

Application Duty Descriptions:

Industrial Duty: clean workshop or clean outdoor environment - small element sizing is sufficient.

Severe Duty: dirty workshop, wastewater – medium to large element is recommended.

Extreme Duty: cement, steel making, plastics or dusty material conveying – largest element sizing is recommended.

1. Select media required by your application. Options include:

a. Standard media

1. Polyester: all purpose; withstands pulses, moisture, and oily air
2. Paper: mostly dry, smooth flow applications

b. Special Media: for a variety of micron levels and media types, see the “Filter Media Specifications” in the Replacement Element Section or contact Solberg.

2. Select element size by matching the element with the anticipated duty and upsize accordingly.

Filter Assembly Maintenance

Request the appropriate maintenance manual for more in-depth information from your Solberg representative or on our website www.solbergmfg.com.

Element Maintenance

Solberg elements should be replaced once the pressure drop reaches 15-20” H₂O above the initial pressure drop of the installation. Cleaning the element is also an option.

Solberg recommends replacing dirty elements for optimal performance. Any damage which results from by-pass or additional pressure drop created by element cleaning is the sole responsibility of the operator.

Note: The overall performance of a filter element is altered once cleaned. The initial pressure drop after subsequent cleanings will be greater than the original, clean pressure drop of the element. After each cleaning, the pressure drop will continue to increase. Under all circumstances, the initial pressure drop of the element needs to be maintained at less than 15” H₂O.

If the pressure drop exceeds 20” H₂O at start-up; it should be replaced with a new element. With many types of equipment, the maximum pressure drop allowed will be dictated by the ability of the equipment to perform to its rated capacity. Under all circumstances, the operator should avoid exceeding the manufacturer’s recommended maximum pressure drop for their specific equipment.



SOLBERG[®]

www.solbergmfg.com

All model offerings and design parameters are subject to change without prior notice.
Contact your representative or Solberg for the most current information.