

General information

PVS3720200513

The PS57 double beam load cell is particularly suitable for weighing tanks and silos and guarantees high linearity and low mechanical profile. There are different versions of the PS57 double shear beam cell: in steel alloy, in stainless steel, with hermetic seal and completely welded. The PS57 cell has a 6 m shielded cable with a length of 20 m.



Suggested related products

A highly performing weighing system must be accurate, perfectly calibrated and well maintained. In order to improve the load cell performance and to optimize its functioning, you may need the following products:

Weight Transmitter [UWT 6008](#)

Weight Transmitter [DAT 1400](#)

Weight Indicator [MCT 1302](#)

Tester 1008 [TESTER 1008](#)

Junction Box [CGS4-C](#)

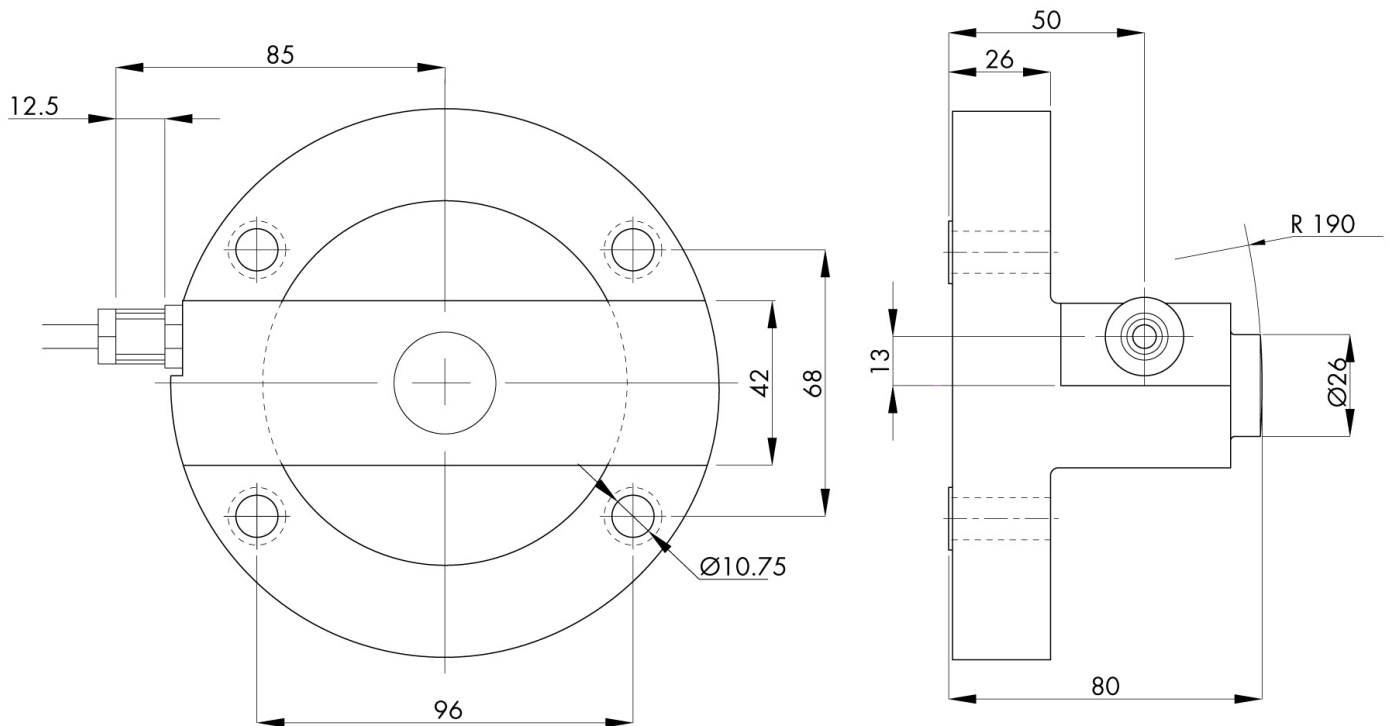
All indicated data may be changed without notice.
All the measures indicated are expressed in millimeters (mm).

Technical specifications

PVS3720200513

Rated load RL:	7.5, 10, 15, 20, 25, 30 t
Combined error:	< ± 0.017 % RO
Repeatability:	< ± 0.015 % RO
Creep (20 minutes):	± 0.016 % RO
Safe overload:	150 % RL
Ultimate overload:	200 % RL
Safe sideload:	100 % RL
Material:	Stainless steel or steel alloy with epoxy paint
Degree of protection:	IP68
Accuracy class:	3000 OIML
Deflection:	0.3 mm
Compensated Temperature:	-10 ÷ +40°C
Temperature range:	-20 ÷ +70°C
Temperature effect on zero balance:	< ± 0.01 % RO/5°C
Temperature effect on output:	< ± 0.006 % RO/5°C
Rated output RO:	2 mV/V \pm 0.1%
Zero balance:	< ± 2 % of R.O.
Insulation resistance:	> 5000 M Ohm
Input resistance:	800 \pm 25 Ohm
Output resistance:	700 \pm 5 Ohm
Recommended input:	5 ÷ 15 Vdc/Vac

All indicated data may be changed without notice.
 All the measures indicated are expressed in millimeters (mm).

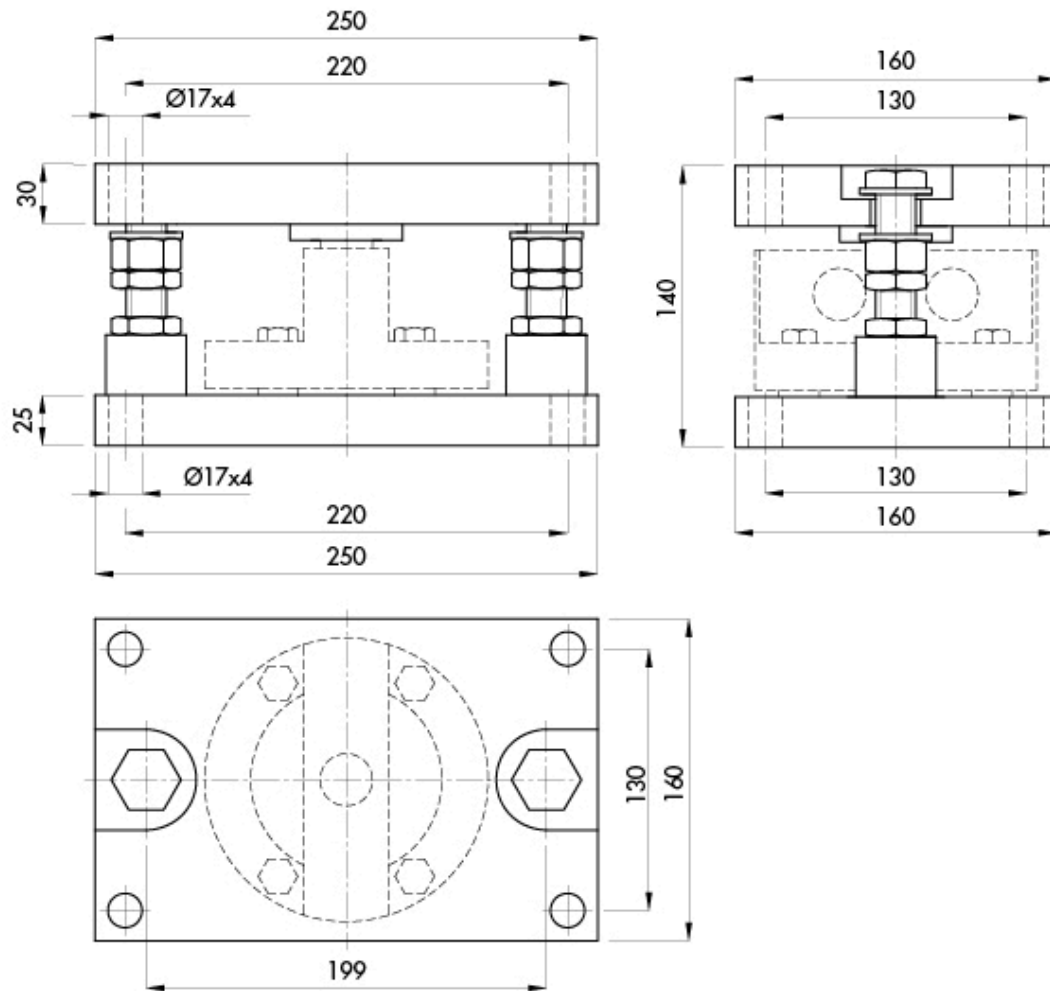

Electrical Connection

+Excitation	Red
-Excitation	Black
+Sense	Blue
-Sense	Yellow
+Signal	Green
-Signal	White
Shield	Cable shield

All indicated data may be changed without notice.
 All the measures indicated are expressed in millimeters (mm).

Double Shear Beam Load Cell PS57

available with certification • EAC • ATEX • OIML



All indicated data may be changed without notice.
 All the measures indicated are expressed in millimeters (mm).