

General information

PVS1720200513

The SBR shear beam load cell, made of stainless steel and hermetically sealed, has been designed for the fiscal weighing of low-profile hoppers, tanks, belts and platforms, is 100% resistant to side loads and has a 6-conductor shielded cable 5 meters long. Furthermore, the MH MOUNTING KIT mounting accessory is available for this load cell and allows an easy assembly and installation.



Suggested related products

A highly performing weighing system must be accurate, perfectly calibrated and well maintained. In order to improve the load cell performance and to optimize its functioning, you may need the following products:

Weight Transmitter [DAT 1400](#)

Weight Indicator [MCT 1302](#)

Mounting kits [MKX ®](#)

Mounting kits [MH MOUNTING KIT](#)

Tester 1008 [TESTER 1008](#)

Junction Box [CGS4-C](#)

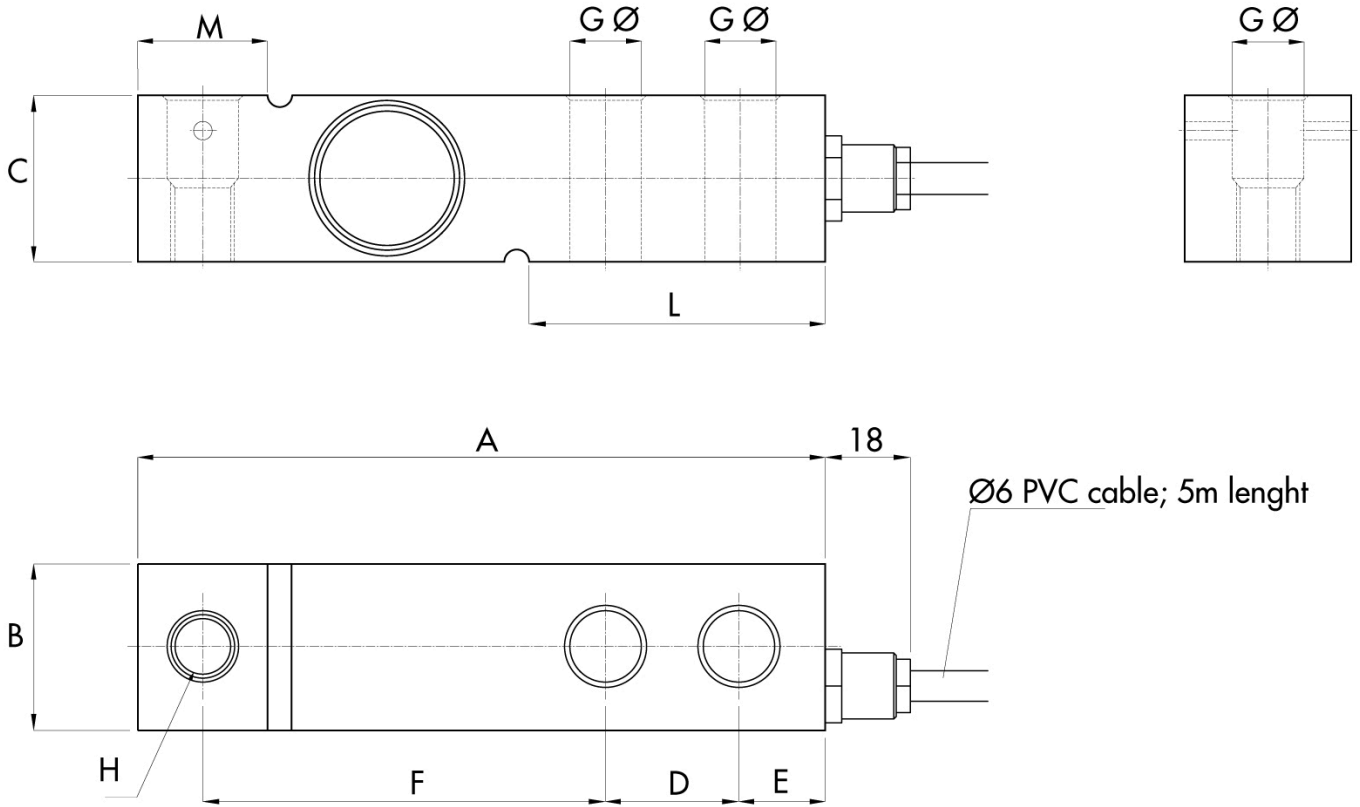
All indicated data may be changed without notice.
All the measures indicated are expressed in millimeters (mm).

Technical specifications

PVS1720200513

Rated load RL:	300, 500, 750, 1000, 1500, 2000, 3000, 5000, 7500, 10000 Kg
Combined error:	< ±0.017 % RO
Repeatability:	< ±0,015 % RO
Creep (30 minutes):	< ±0.016 % RO
Safe overload:	150 % RL
Ultimate overload:	200 % RL
Clamping force without any load:	RL 300 ÷ 2000 kg: 136 Nm; RL 3000 ÷ 5000 kg: 205 Nm
Degree of protection:	IP68
Accuracy class:	3000 OIML
Deflection:	0.2 ÷ 0.4 mm
Compensated Temperature:	-10 ÷ +40 °C
Temperature range:	-30 ÷ +70 °C
Temperature effect on zero balance:	< ±0.01 % RO/5 °C
Temperature effect on output:	< ±0.006 % RO/5 °C
Rated output RO:	2 mV/V ±0.05 %
Zero balance:	< ±2 % RO
Insulation resistance:	> 5000 MOhm
Input resistance:	400 ±20 Ohm
Output resistance:	350 ±3 Ohm
Recommended input:	5 ÷ 15 Vdc/Vac

All indicated data may be changed without notice.
 All the measures indicated are expressed in millimeters (mm).


Electrical Connections

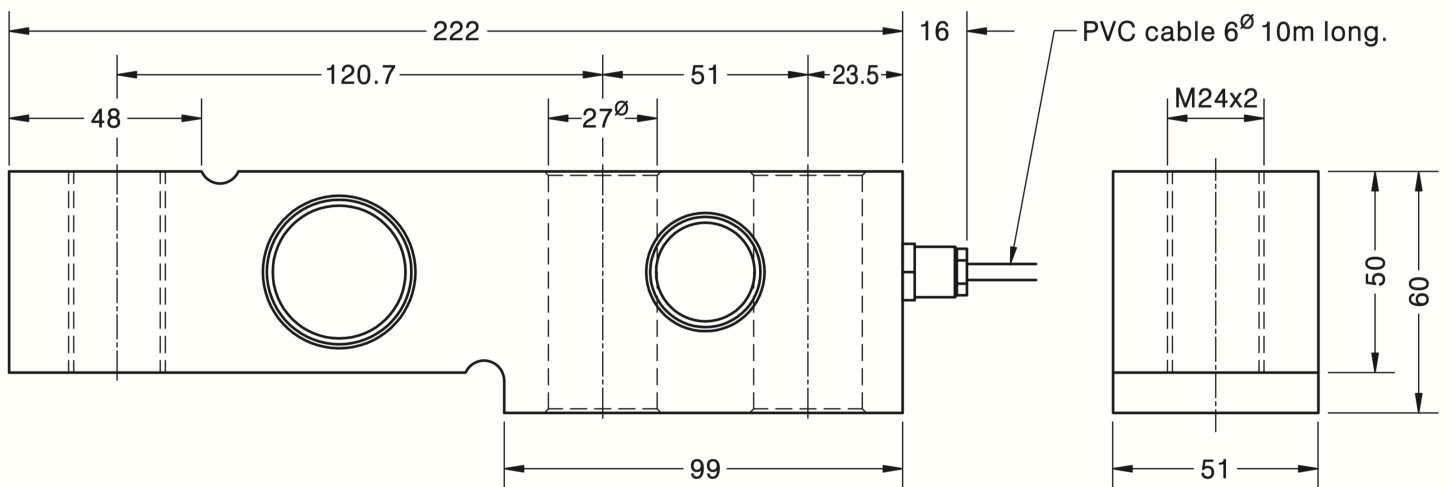
+Excitation	Green
-Excitation	Black
+Sense	Blue
-Sense	Yellow
+Signal	Red
-Signal	White
Shield	Cable Shield

Capacity Kg

	300-2000	3000-5000
A	130	171.5
B	31.5	41.5
C	31.5	48
D	25.4	38.1
E	15.8	19
F	76.2	95.2
G	13.5	20.5
H	M12x1.75	M20x2.5
L	56	76
M	24.6	37

All indicated data may be changed without notice.
 All the measures indicated are expressed in millimeters (mm).

Capacity 7.500 ÷ 10.000 Kg



Electrical Connections

+Excitation	Green
-Excitation	Black
+Sense	Blue
-Sense	Yellow
+Signal	Red
-Signal	White
Shield	Cable Shield

All indicated data may be changed without notice.
 All the measures indicated are expressed in millimeters (mm).