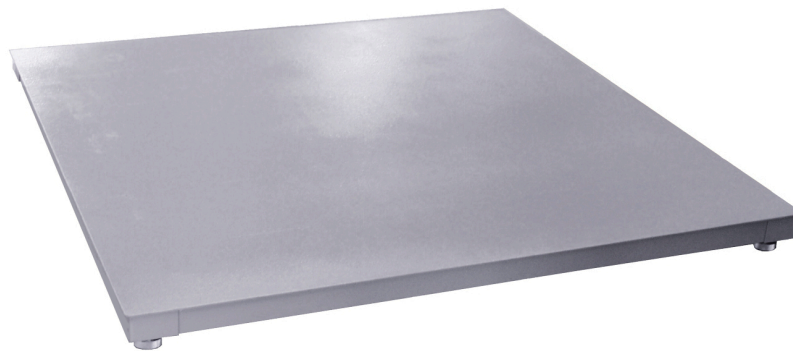


Technical specifications

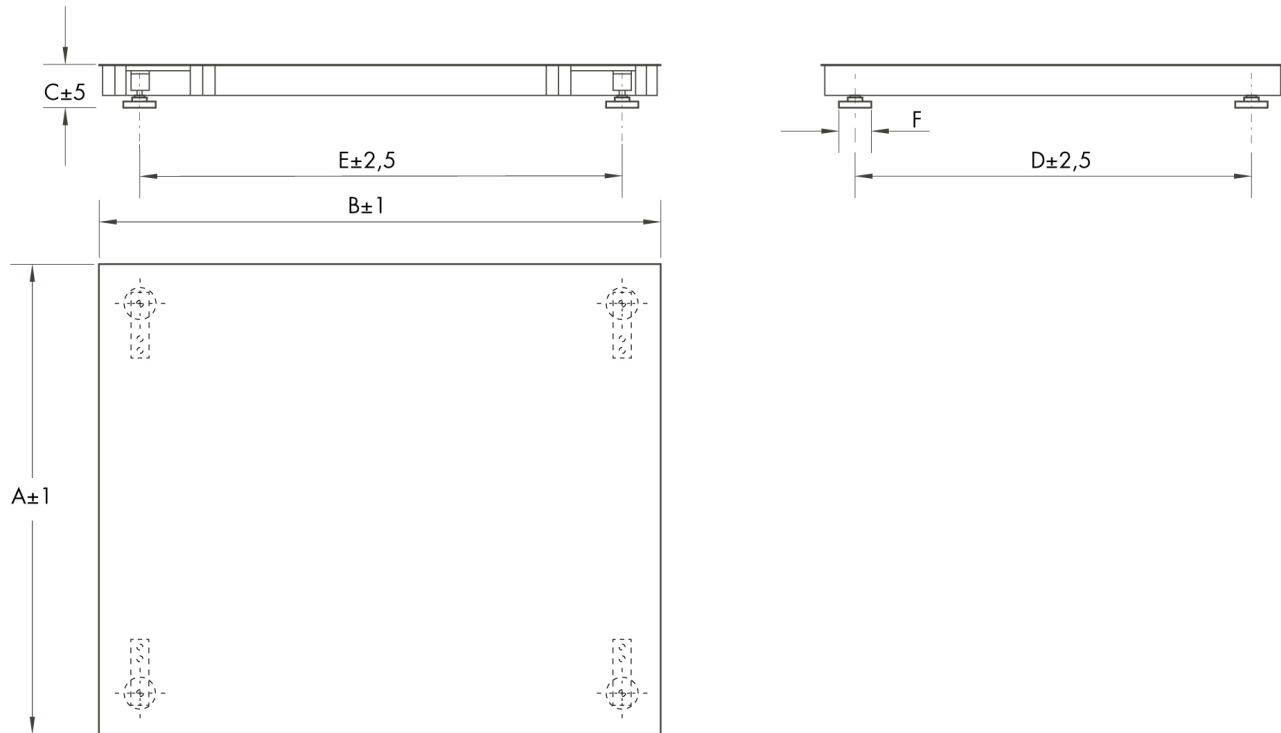
PVS13820200513

The PQM platform is a 4-cell monoblock that supports the object to be weighed and transmits its load to the cells below, which measure it synchronously to return its precise value. The PQM weighing platform works like a huge, precise and robust scale. PQM is also available in stainless steel version and it is usually used in particularly aggressive environments, in food or pharmaceutical fields.

Rated load RL:	300 ÷ 3000 Kg
Combined error:	0.04 % RO
Safe overload:	150 % RL
Transducer input voltage:	3 ÷ 15 Vdc
Rated output RO:	3 mV/V



All indicated data may be changed without notice.
All the measures indicated are expressed in millimeters (mm).



TYPE	CAPACITY	A	B	C	D	E	F
PQM0	300-600	800	800	100	690	690	60
PQM1	300-1500	1000	1000	100	890	890	60
PQM2	300-3000	1000	1250	100	890	1140	60
PQM3	300-3000	1250	1250	100	1140	1140	60
PQM4	600-3000	1250	1500	100	1140	1390	60
PQM5	600-3000	1500	1500	100	1390	1390	60
PQM6	600-3000	1500	2000	100	1390	1890	60

All indicated data may be changed without notice.
 All the measures indicated are expressed in millimeters (mm).