

Technical specifications

PVS10520200512

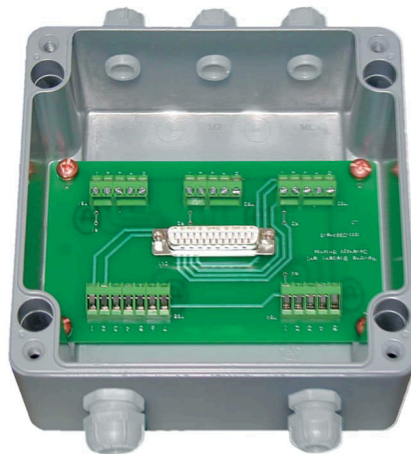
The CGS4-C junction box is able to connect several load cells: it synchronizes measurements and it ensures correct and accurate weight values. The CGS4-C junction box collects the signals of the individual cells and translates them into a single signal. Our junction boxes are equipped with a quick connector for the connection to our Tester 1008, which allows the immediate control of the signals of the single cells and the system diagnostics.

| | |
|---------------------------|--|
| Temperature range: | -10 ÷ +50 °C (max 85% humidity without condensation) |
|---------------------------|--|

| | |
|-----------------------------|--------------|
| Storage temperature: | -20 ÷ +70 °C |
|-----------------------------|--------------|

| | |
|---------------------------|----------------------|
| Drilling template: | 140 x 110 mm (L x H) |
|---------------------------|----------------------|

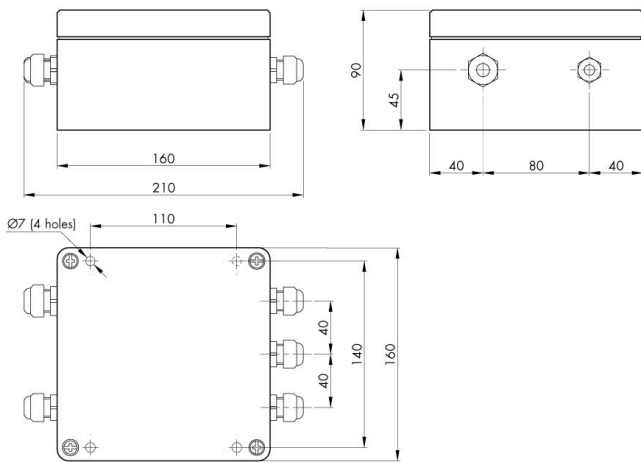
| | |
|--------------------|-------------------------------|
| Dimensions: | 160 x 160 x 90 mm (L x H x D) |
|--------------------|-------------------------------|



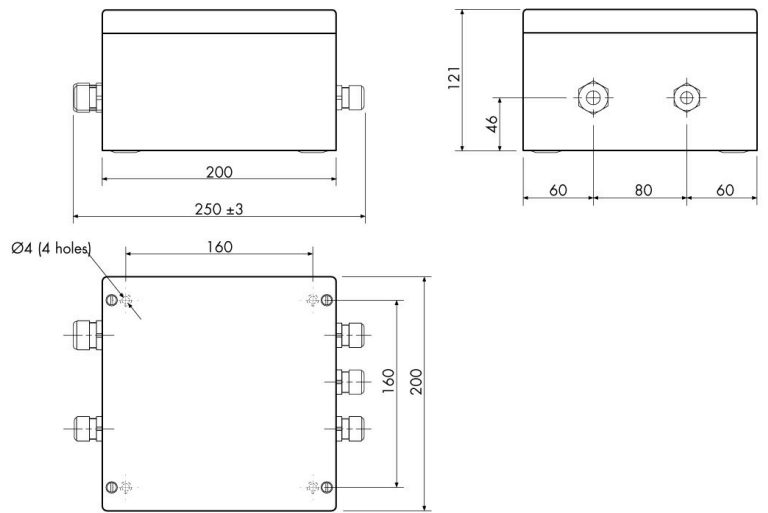
All indicated data may be changed without notice.
All the measures indicated are expressed in millimeters (mm).



All indicated data may be changed without notice.
All the measures indicated are expressed in millimeters (mm).



Aluminium housing

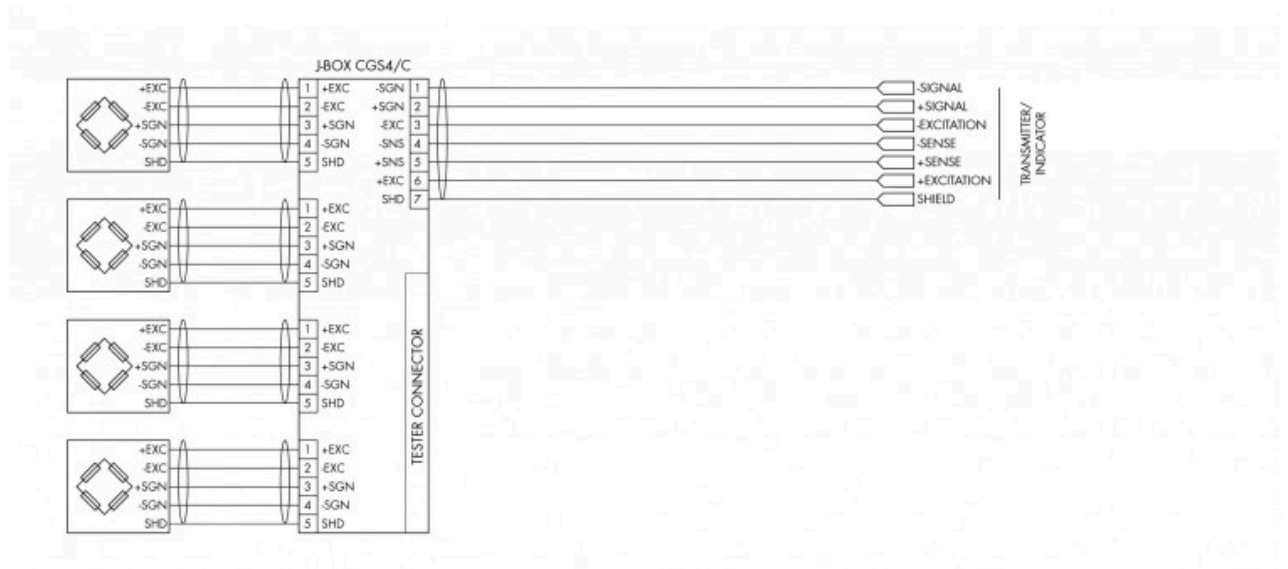


Stainless Steel housing

LOAD CELLS COLOUR CODE

| | | | | |
|------|---------------|-------------|---------|-------------|
| +Exc | Red | Red/Green | Red | Red/Blue |
| -Exc | Black | Black | White | Black/Brown |
| +Sgn | Green | Green/White | Green | Green |
| -Sgn | White | Red/White | Blue | White |
| Shd | Shield | Shield | Shield | Shield |
| | SENSORTRONICS | NOBEL | MINEBEA | PAVONE |

All indicated data may be changed without notice.
 All the measures indicated are expressed in millimeters (mm).



All indicated data may be changed without notice.
 All the measures indicated are expressed in millimeters (mm).