

## General information

PVS1220200512

The SB shear beam load cell has excellent linearity and precision, excellent resistance to lateral loads of over 50% and has been designed for weighing hoppers and tanks and for constructing low-profile platforms. If used with the MH MOUNTING KIT mounting accessory it avoids the use of mechanical constraints. The SB cell is also equipped with watertight protection to work in severe environmental conditions and is available in a special high temperature version.



## Suggested related products

A highly performing weighing system must be accurate, perfectly calibrated and well maintained. In order to improve the load cell performance and to optimize its functioning, you may need the following products:

**Weight Transmitter** [DAT 1400](#)

**Weight Indicator** [MCT 1302](#)

**Mounting kits** [MKX ®](#)

**Mounting kits** [MH MOUNTING KIT](#)

**Tester 1008** [TESTER 1008](#)

**Junction Box** [CGS4-C](#)

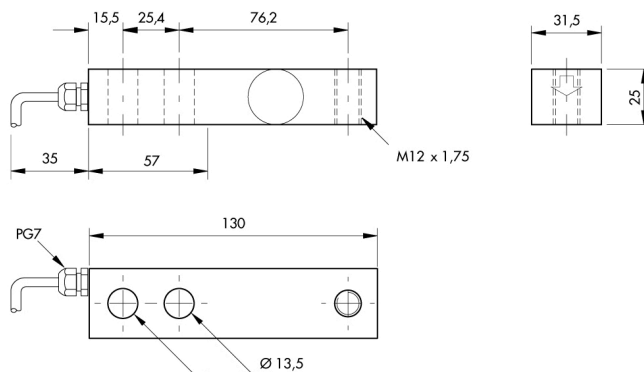
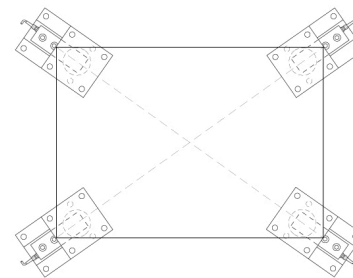
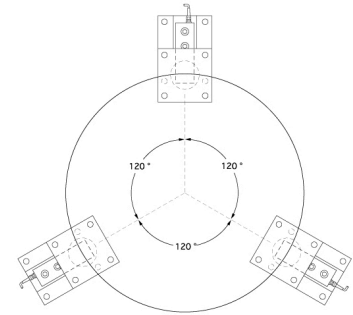
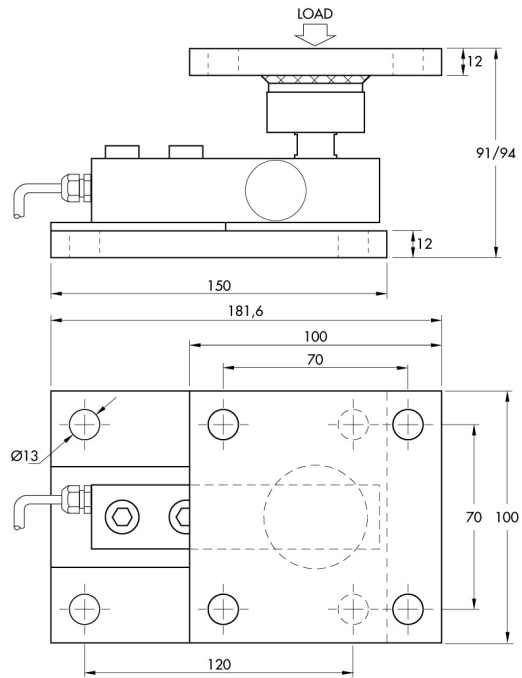
All indicated data may be changed without notice.  
All the measures indicated are expressed in millimeters (mm).

## Technical specifications

PVS1220200512

<b>Rated load RL:</b>	75, 125, 250 Kg
<b>Combined error:</b>	±0.025 % RO
<b>Repeatability:</b>	± 0.01 % RO
<b>Creep (20 minutes):</b>	±0.03 % RO
<b>Safe overload:</b>	150 % RL
<b>Ultimate overload:</b>	300 % RL
<b>Clamping force without any load:</b>	75 Nm
<b>Material:</b>	Stainless steel
<b>Degree of protection:</b>	IP65
<b>Deflection:</b>	< 0.5 mm
<b>Compensated Temperature:</b>	-10 ÷ +40 °C
<b>Temperature range:</b>	-20 ÷ +70 °C
<b>Temperature effect on zero balance:</b>	±0.005 % RO/5°C
<b>Temperature effect on output:</b>	±0.005 % load/5°C
<b>Rated output RO:</b>	3 mV/V ±0.25 %
<b>Zero balance:</b>	±1 % RO
<b>Insulation resistance:</b>	>2000 M Ohm
<b>Input resistance:</b>	350 ±3 Ohm
<b>Output resistance:</b>	350 ±3 Ohm
<b>Recommended input:</b>	5 ÷ 15 Vdc/ac

All indicated data may be changed without notice.  
 All the measures indicated are expressed in millimeters (mm).


**Electrical Connections**

+Excitation	Red
+Sense	Blue
-Sense	Brown
-Excitation	Black
+Signal	Green
-Signal	White
Shield	Cable Shield

All indicated data may be changed without notice.  
All the measures indicated are expressed in millimeters (mm).