

General information

PVS320200512

The universal CVF load cell is made of stainless steel and it has excellent linearity and precision characteristics, it has an overload resistance of over 300% and a watertight protection for use in harsh environmental conditions. The CVF cell is designed to withstand side loads and it is able to work both in traction and compression. This load cell CVF is also available in a special high temperature version and can be customized according to customer needs.



Suggested related products

A highly performing weighing system must be accurate, perfectly calibrated and well maintained. In order to improve the load cell performance and to optimize its functioning, you may need the following products:

Weight Transmitter [UWT 6008](#)

Weight Transmitter [DAT 1400](#)

Mounting kits [DE MOUNTING KIT](#)

Tester 1008 [TESTER 1008](#)

Junction Box [CGS4-C](#)

Double Shear Beam Load Cell [DDR](#)

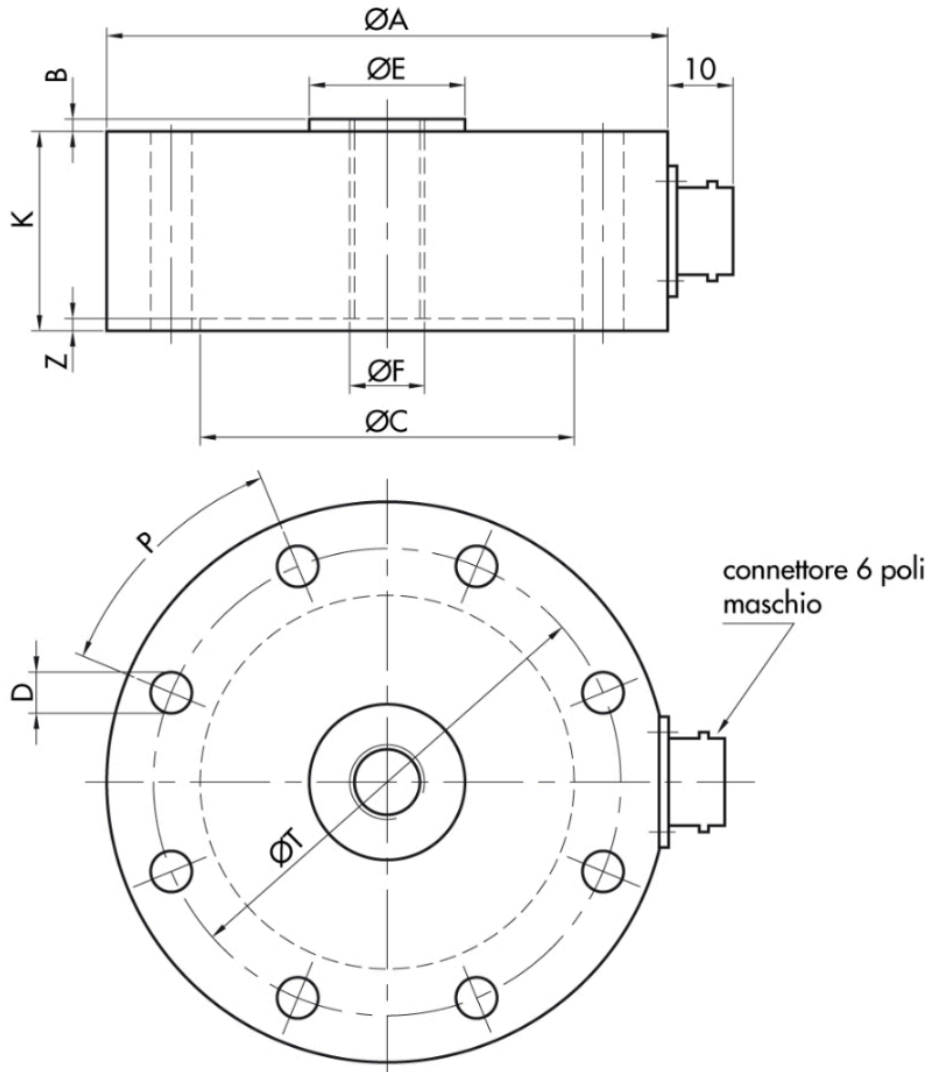
All indicated data may be changed without notice.
All the measures indicated are expressed in millimeters (mm).

Technical specifications

PVS320200512

Rated load RL:	0.5 ÷ 5000 kN
Combined error:	±0.05 % RO
Repeatability:	±0.02 % RO
Creep (20 minutes):	±0.02 % RO
Safe overload:	150 % RL
Ultimate overload:	> 300 % RL
Material:	Stainless steel AISI 17-4PH
Degree of protection:	IP65
Deflection:	0.2 mm
Compensated Temperature:	-10 ÷ +50 °C
Temperature range:	-20 ÷ +70 °C
Temperature effect on zero balance:	< ±0.005 % RO/°C
Temperature effect on output:	< ±0.005 % RO/°C
Rated output RO:	2.0 mV/V ±0.1 %
Zero balance:	< ±1.5 % RO
Insulation resistance:	> 5000 MOhm
Input resistance:	700 ± 20 Ohm (350 Ohm carrying capacity 1000÷5000 kN)
Output resistance:	700 ±5 Ohm (350 Ohm capacity 1000÷5000 kN)
Recommended input:	2 ÷ 15 Vdc/ac

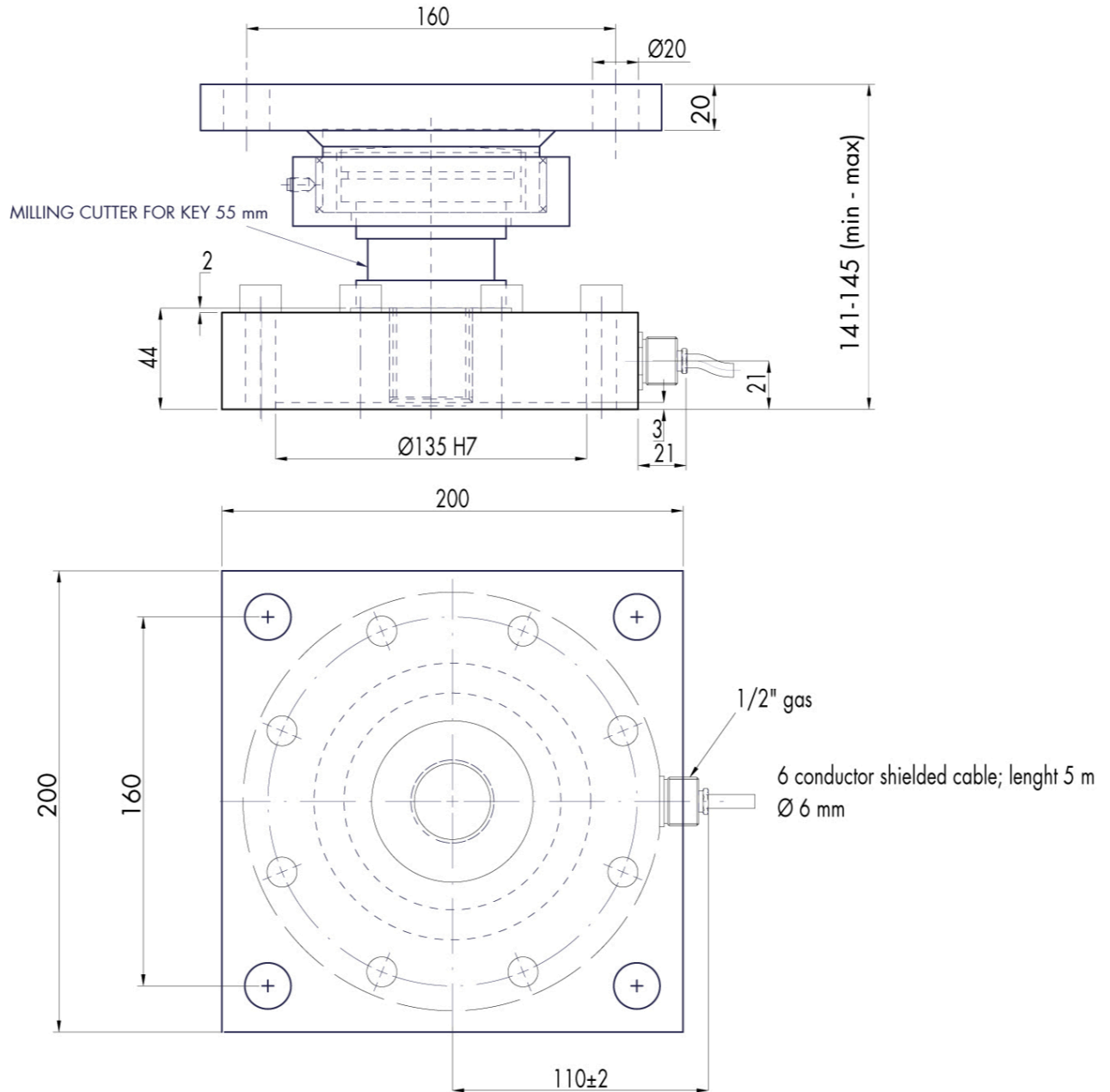
All indicated data may be changed without notice.
 All the measures indicated are expressed in millimeters (mm).



RANGE kN	ØA	B	ØC	ØD	ØE	ØF	K	ØT	P	Z
0.5÷10	90	2	60	4-6.6	25	M12x1.75	32	75	4x90°	2
20÷50	150	2	105	8-11	55	M24x2	38	130	8x45°	2
100÷200	185	2	135	8-13	70	M36x3	42	160	8x45°	3
500	240	2	160	12-17	90	M45x3	60	200	12x30°	3
1000	295	5	200	16-21	127	M80x4	100	250	16x22°30'	4
2000	390	3	270	24-26	190	M120x4	120	330	24x15°	4
5000	447	3	330	24-32	250	M180x6	160	390	24x15°	4

Electrical Connection	
+Excitation	Red
-Excitation	Black
+Signal	Green
-Signal	White
+Sense	Blue
-Sense	Brown
Shield	Cable shield

All indicated data may be changed without notice.
 All the measures indicated are expressed in millimeters (mm).

SPECIAL MOUNTING ASSEMBLY FOR C VF 200 kN


All indicated data may be changed without notice.
 All the measures indicated are expressed in millimeters (mm).