

General information

PVS1120200512

The TRZ traction load cell (also known as TRZ tension cell or TRZ S-type load cell), is made of stainless steel and it has been designed for the industrial weighing of small tanks and hoppers. The tension TRZ cell has excellent linearity and precision characteristics and it withstands overloads of more than 300%. The TRZ S-type load cell is weather-proof for use in severe environmental conditions, it is available in a special high temperature version and can be customized.



Suggested related products

A highly performing weighing system must be accurate, perfectly calibrated and well maintained. In order to improve the load cell performance and to optimize its functioning, you may need the following products:

Weight Transmitter [DAT 1400](#)

Weight Indicator [MCT 1302](#)

Tester 1008 [TESTER 1008](#)

Junction Box [CGS4-C](#)

Universal load cell [CS30](#)

S-Type load cell [TRP](#)

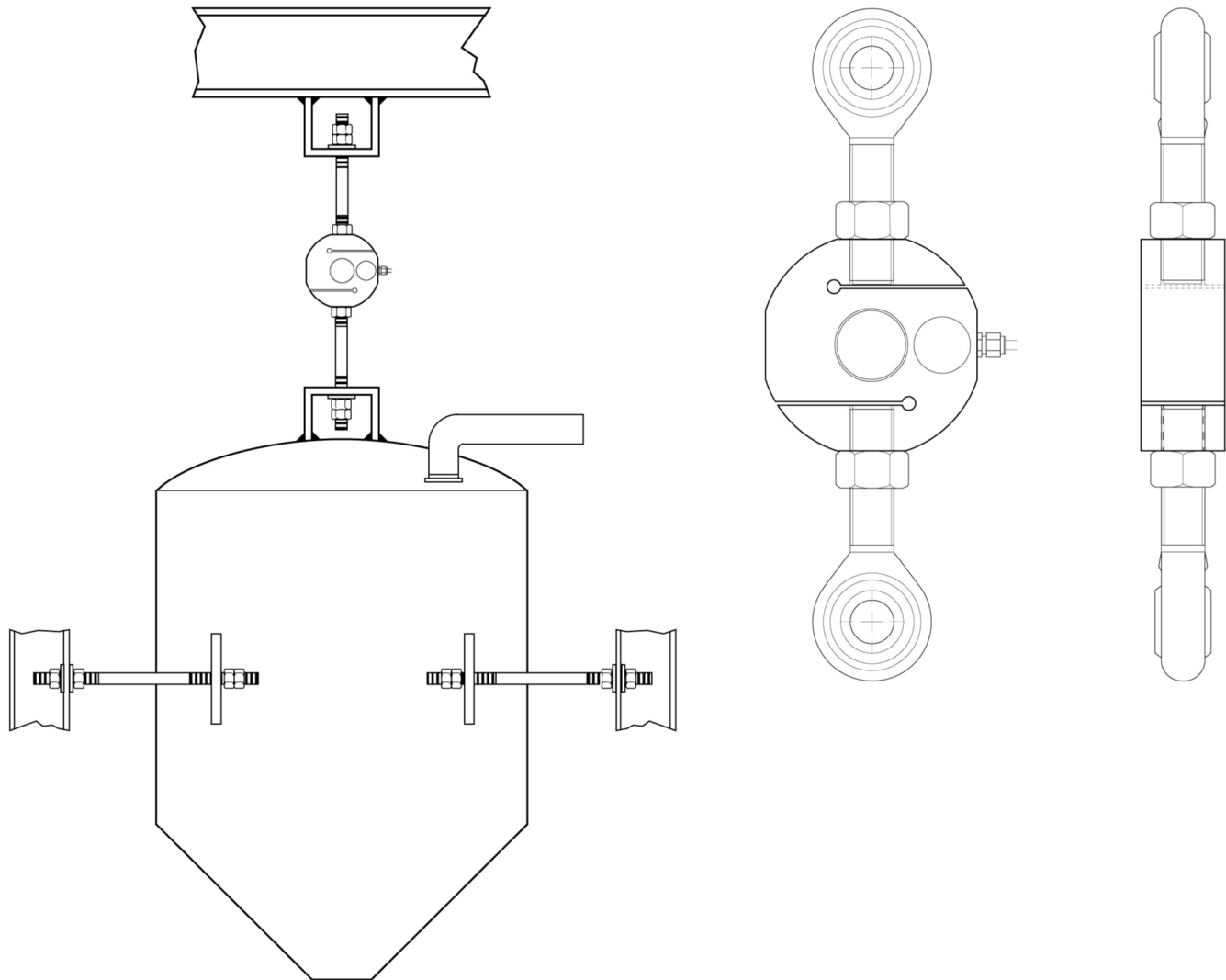
All indicated data may be changed without notice.
All the measures indicated are expressed in millimeters (mm).

Technical specifications

PVS1120200512

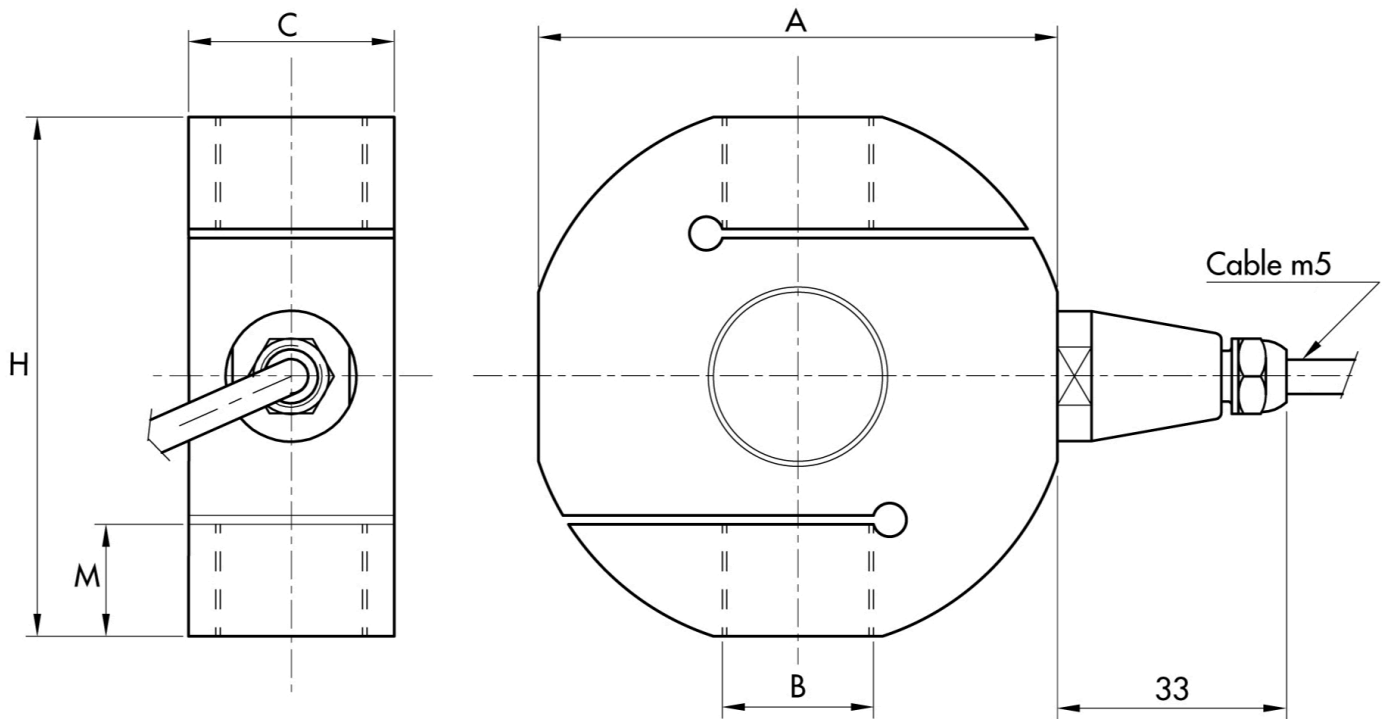
Rated load RL:	100, 250, 500, 750, 1000, 2500, 5000, 7500, 10000 Kg
Combined error:	±0.03 % RO
Repeatability:	±0.01 % RO
Creep (20 minutes):	±0.02 % RO
Safe overload:	150 % RL
Ultimate overload:	> 300 % RL
Material:	Stainless steel AISI 17-4PH
Degree of protection:	IP68
Deflection:	0.4 mm
Compensated Temperature:	-10 ÷ +50°C
Temperature range:	-20 ÷ +70°C
Temperature effect on zero balance:	±0.005 % RO/°C
Temperature effect on output:	±0.005 % on output/°C
Rated output RO:	2.0 mV/V ±0.1 %
Zero balance:	±2 % SN
Insulation resistance:	> 5000 MOhm
Input resistance:	350 ±10 Ohm
Output resistance:	350 ±10 Ohm
Recommended input:	5 ÷ 15 Vdc/ac

All indicated data may be changed without notice.
 All the measures indicated are expressed in millimeters (mm).


Electrical Connections

+Excitation	Red
-Excitation	Black
+Sense	Blue
-Sense	Brown
+Signal	Green
-Signal	White
Shield	Cable shield

All indicated data may be changed without notice.
 All the measures indicated are expressed in millimeters (mm).



Capacity kg	A	B	C	H	M
100-200	61	M16x2	23	60	14
500-1000	78	M16x2	30	75	19
2000-2500	78	M20x1.5	30	75	20
5000	95	M24x2	30	90	23
10000	130	M36x3	45	140	38

All indicated data may be changed without notice.
 All the measures indicated are expressed in millimeters (mm).