

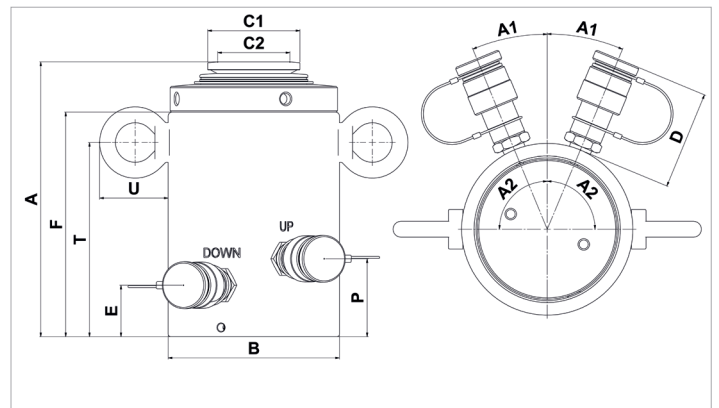
## Technical specification sheet

# HLC 150 H 5 | Locknut Cylinder

Specifications		
article number		100.122.129
short description		Locknut Cylinder
model		HLC 150 H 5
max. working pressure	bar/Mpa	720 / 72
tonnage	t	150
stroke	mm	50
closed height	mm	275
max. side-load resistance	%	10
capacity	kN/t	1544 / 157.4
effective pressure area (press)	cm <sup>2</sup>	214.3
effective pressure area (retract)	cm <sup>2</sup>	37.7
required oil content (effective)	cc	883
required oil content (press)	cc	1051
required oil content (retract)	cc	168
connection		A 118
cylinder type		lock nut
acting type		double
return type		hydraulic
material		steel
weight, ready for use	kg	56.3
ASME		B30.1

Technical drawing dimensions		
dimension A	mm	275
dimension B	mm	194
dimension C1	mm	105
dimension C2	mm	72
dimension D	mm	75
dimension E	mm	58
dimension F	mm	221
dimension P	mm	83
dimension T	mm	146
dimension U	mm	54
angle A1	°	23
angle A2	°	90

Standard supplied with
<ul style="list-style-type: none"> <li>• High Flow female coupler A 118</li> <li>• Tilting saddle</li> </ul>



holmatro.com

© Holmatro 2020-07-11

While the greatest care has been devoted to the content, it is possible that the information in this printed matter is incorrect or incomplete. Holmatro B.V. and its affiliated companies (hereafter: Holmatro) cannot be held liable in any way for the consequences of activities undertaken on the basis of this printed matter. Values can vary within the manufacturer measurements. If you have any doubts about the correctness or completeness of the information, you shall contact Holmatro (T +31 (0)162-751480). Nothing from this printed matter can be copied and/or made public in any way without the explicit authorisation of Holmatro.