

Aliaxis



REGULIEREN
PREGIANGE



VXE DN 10÷50

PVC-C

Easyfit 2-way ball valve

VXE DN 10÷50

FIP and Giugiaro Design designed and developed VXE Easyfit, the innovative True union ball valve with union nut tightening control system that permits simple and safe installation for reliable service in time. This valve is also equipped with the customisable Labelling System.

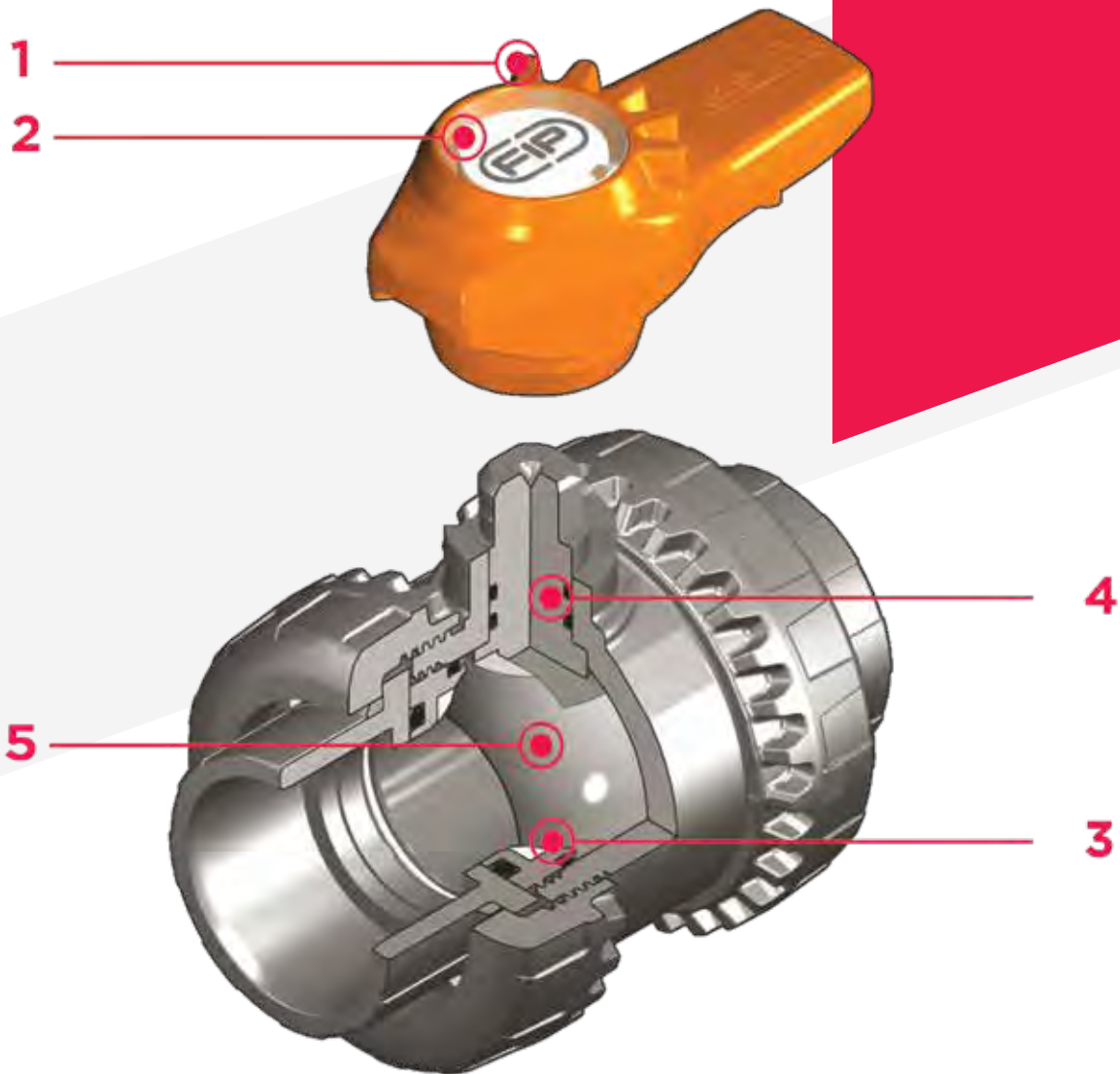


EASYFIT 2-WAY BALL VALVE

- **Patented Easyfit system:** innovative mechanism based on the principle of the bevel gear pair that controls valve union nut rotation during installation
- Connection system for solvent weld and threaded joints
- **Valve material compatibility** (PVC-C) and elastomer **seal elements** (EPDM or FKM), with water, drinking water and other food substances as per **current regulations**
- Easy radial disassembly allowing quick replacement of O-rings and ball seats without any need for tools
- **PN16 True Union valve body** made for PVC-C injection moulding and European Directive 2014/68/EU (PED) compliant for pressurised equipment. ISO 9393 compliant test requirements
- Fully interchangeable with previous VX Ergo series models
- Option of disassembling downstream pipes with the valve in the closed position
- Floating **full bore ball** with high surface finish made in CNC work stations to achieve precise dimensional tolerance and high surface finish

Technical specifications

Construction	Easyfit 2-way True Union ball valve with locked carrier
Size range	DN 10 ÷ 50
Nominal pressure	PN 16 with water at 20° C
Temperature range	0 °C ÷ 100 °C
Coupling standards	Solvent welding: EN ISO 15493, ASTM F 439 Can be coupled to pipes according to EN ISO 15493, ASTM F 441 Thread: ISO 228-1, DIN 2999, ASTM F 437.
Reference standards	Construction criteria: EN ISO 16135, EN ISO 15493 Test methods and requirements: ISO 9393 Installation criteria: DVS 2204, DVS 2221, UNI 11242 Actuator couplings: ISO 5211
Valve material	PVC-C
Seal material	EPDM, FKM (standard size O-Ring); PTFE (ball seats)
Control options	Manual control



1 Two position Easyfit ergonomic multifunctional handle with union nut tightening control which can be used to adjust ball seat carriers. Handle use is especially indicated for maintenance work where space is limited and hard to access

2 Customisable Labelling System: built-in LCE module on the handle made up of a transparent protection plug and

customisable tag holder with LSE set (available as accessory). The customisation potential lets you identify the valve on the system according to specific needs

3 The PTFE ball seat system with locked carrier adjustable via Easyfit multifunctional handle or Easytorque adjustment kit (available as an accessory)

4 High surface finish valve stem with double O-Ring, produced in CNC work stations to achieve precise dimensional tolerance and high surface finish

5 Machined high surface finish ball that guarantees a smooth operation and increased reliability.

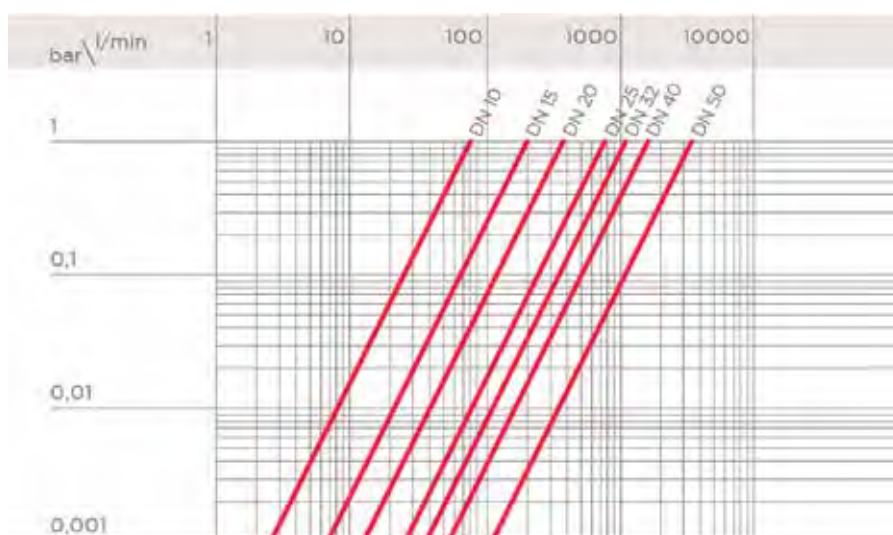
TECHNICAL DATA

PRESSURE VARIATION ACCORDING TO TEMPERATURE

For water and harmless fluids to which the material is classified as CHEMICALLY RESISTANT. In other cases, a reduction of the nominal PN pressure is required (25 years with safety factor).



PRESSURE DROP GRAPH



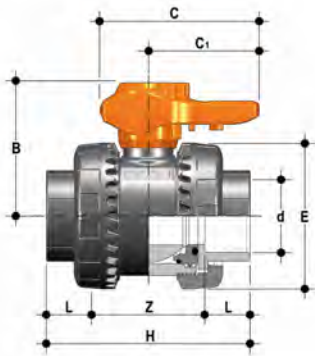
K_v100 FLOW COEFFICIENT

The K_v100 flow coefficient is the Q flow rate of litres per minute of water at a temperature of 20°C that will generate Δp= 1 bar pressure drop at a certain valve position. The K_v100 values shown in the table are calculated with the valve completely open.

DN	10	15	20	25	32	40	50
K _v 100 l/min	80	200	385	770	1110	1750	3400

The information in this leaflet is provided in good faith. No liability will be accepted concerning technical data that is not directly covered by recognised international standards. FIP reserves the right to carry out any modification. Products must be installed and maintained by qualified personnel.

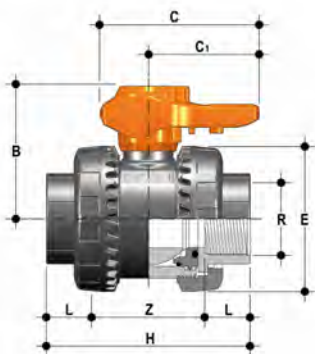
DIMENSIONS



VXEIC

Easyfit 2-way ball valve with female ends for solvent welding, metric series

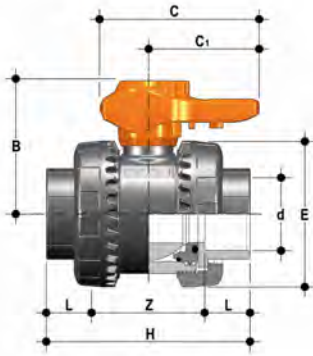
d	DN	PN	B	C	C ₁	E	H	L	Z	g	EPDM code	FKM code
16	10	16	49	64	44	54	82	16	50	180	VXEIC016E	VXEIC016F
20	15	16	49	64	44	54	82	16	50	175	VXEIC020E	VXEIC020F
25	20	16	62	78	55	63	91	19	53	260	VXEIC025E	VXEIC025F
32	25	16	71	87	60	72	103	22	59	365	VXEIC032E	VXEIC032F
40	32	16	82	102	72	85	120	26	68	565	VXEIC040E	VXEIC040F
50	40	16	92	109	76	100	139	31	77	795	VXEIC050E	VXEIC050F
63	50	16	110	133	94	118	174	38	98	1325	VXEIC063E	VXEIC063F



VXEFC

Easyfit 2-way ball valve with BSP threaded female ends

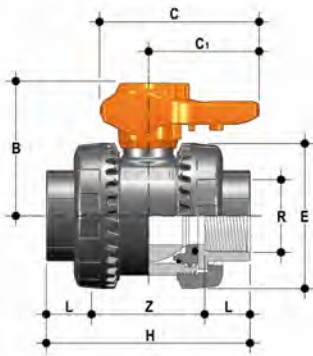
R	DN	PN	B	C	C ₁	E	H	L	Z	g	EPDM code	FKM code
1/2"	15	16	49	64	44	54	90	17,8	54,4	175	VXEFC012E	VXEFC012F
3/4"	20	16	62	64	55	63	93	18	57	260	VXEFC034E	VXEFC034F
1"	25	16	71	78	60	72	110	22,6	64,8	365	VXEFC100E	VXEFC100F
1" 1/4	32	16	82	87	72	85	127	25,1	76,8	565	VXEFC114E	VXEFC114F
1" 1/2	40	16	92	102	76	100	131	24,7	81,6	795	VXEFC112E	VXEFC112F
2"	50	16	110	109	94	118	161	29,6	101,8	1325	VXEFC200E	VXEFC200F



VXEAC

Easyfit 2-way ball valve with female ends for solvent welding, ASTM series

d	DN	PN	B	C	C ₁	E	H	L	Z	g	EPDM code	FKM code
1/2"	15	16	49	64	44	54	96	22,5	51	175	VXEAC012E	VXEAC012F
3/4"	20	16	62	78	55	63	105	25,5	54	260	VXEAC034E	VXEAC034F
1"	25	16	71	87	60	72	117	28,7	59,5	365	VXEAC100E	VXEAC100F
1" 1/4	32	16	82	102	72	85	136	32	72	565	VXEAC114E	VXEAC114F
1" 1/2	40	16	92	109	76	100	147	35	77	795	VXEAC112E	VXEAC112F
2"	50	16	110	133	94	118	174	38,2	97,6	1325	VXEAC200E	VXEAC200F



VXENC

Easyfit 2-way ball valve with female ends, NPT thread

R	DN	PN	B	C	C ₁	E	H	L	Z	g	EPDM code	FKM code
1/2"	15	16	49	64	44	54	90	17,8	54,4	175	VXENC012E	VXENC012F
3/4"	20	16	62	78	55	63	93	18	57	260	VXENC034E	VXENC034F
1"	25	16	71	87	60	72	110	22,6	64,8	365	VXENC100E	VXENC100F
1" 1/4	32	16	82	102	72	85	127	25,1	76,8	565	VXENC114E	VXENC114F
1" 1/2	40	16	92	109	76	100	131	24,7	81,6	795	VXENC112E	VXENC112F
2"	50	16	110	133	94	118	161	29,6	101,8	1325	VXENC200E	VXENC200F