

 Aliaxis



RM DN 15

PVC-U

Diaphragm cock valve

RM DN 15

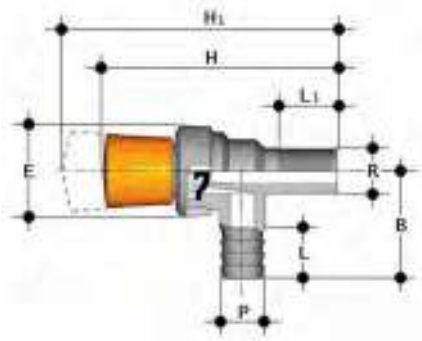
The RM diaphragm cock valve is used to shut-off and regulate fluid flow and is characterised by its reduced size.

DIAPHRAGM COCK VALVE

- Connection system for threaded joints
- **Can be installed in any position**
- Can be coupled to pipes in PVC-U, PVC-U plasticised, PE and rubber
- **Valve material compatibility** (PVC-U) with water, drinking water and other food substance conveyance according to **current regulations**
- Specifically designed for laboratory applications or for sampling purposes

Technical specifications	
Construction	Diaphragm cock valve
Size range	DN 15
Nominal pressure	PN 4 with water at 20 °C
Temperature range	0 °C ÷ 60 °C
Coupling standards	Solvent welding: EN ISO 1452, EN ISO 15493 Can be coupled to pipes according to EN ISO 1452, EN ISO 15493. Thread: ISO 228-1, DIN 2999
Reference standards	Construction criteria: EN ISO 16138, EN ISO 1452, EN ISO 15493 Test methods and requirements: ISO 9393 Installation criteria: DVS 2204, DVS 2221, UNI 11242
Valve material	PVC-U
Seal material	EPDM
Control options	Manual control

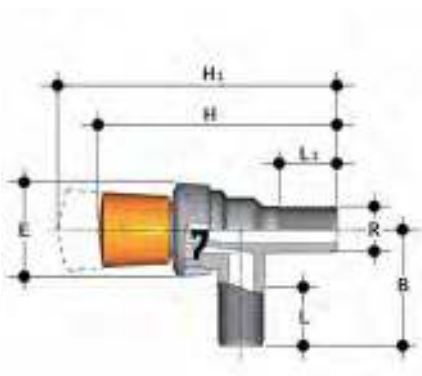
DIMENSIONS



RMRPV

Diaphragm cock valve with BSP threaded male ends and hose connection

R	DN	PN	P	B	E	H	H ₁	L	L ₁	g	Code
1/2"	15	4	20	50	43	110	119	24	29	90	RMRPV012020E



RMRV

Diaphragm cock valve with BSP threaded male ends

R	DN	PN	B	E	H	H ₁	L	L ₁	g	Code
1/2"	15	4	50	43	110	119	16	28	90	RMRV012E

COMPONENTI

ESPLOSO



1 Screw (STAINLESS steel - 1)

2 Handwheel (PVC-U - 1)

3 Bonnet (PVC-U - 1)

4 Stem (PVC-U - 1)

5 Sleeve (POM - 1)

6 Split couplings (POM - 2)

7 Diaphragm (EPDM- 1)

8 Body (PVC-U - 1)

Tra parentesi è indicato il materiale del componente e la quantità fornita