

Aliaxis



DK DN 15÷65

PVC-U

DIALOCK® 2-way diaphragm valve

DK DN 15÷65

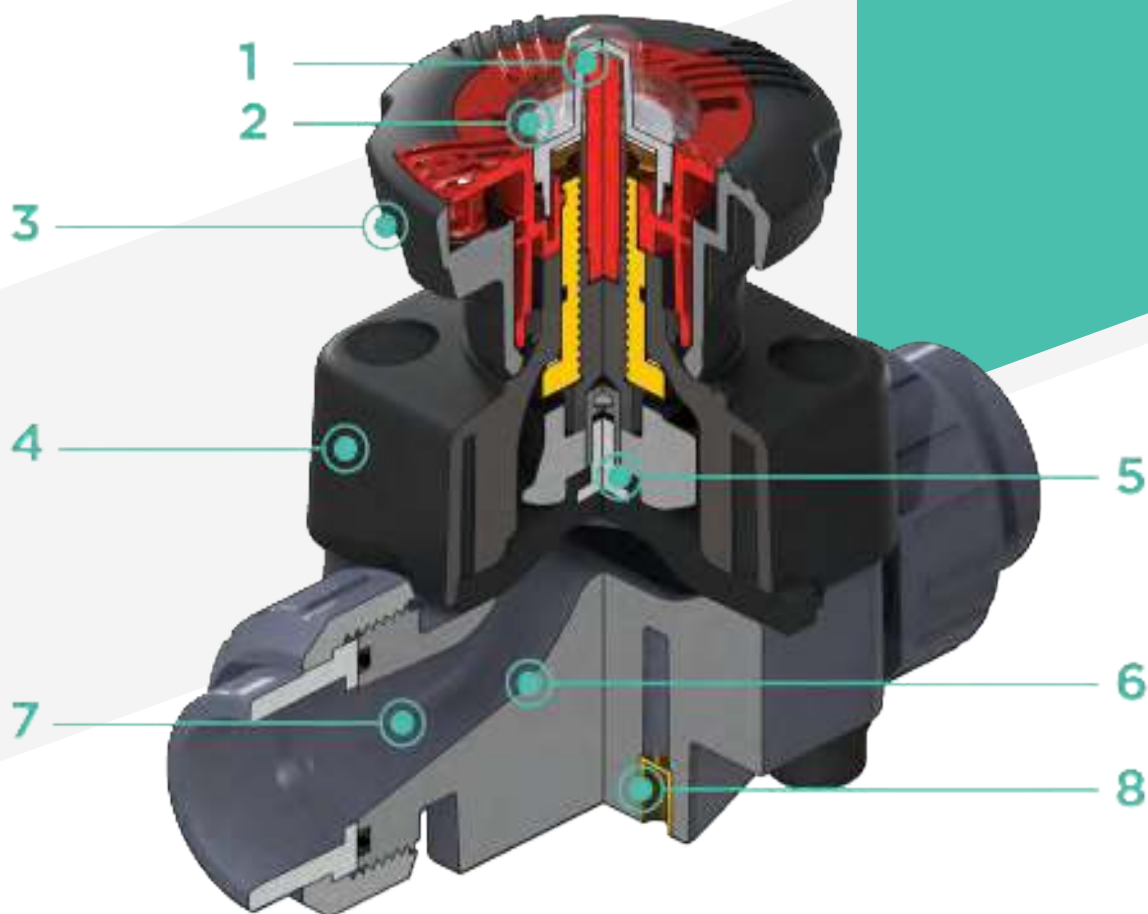
The DK DIALOCK® diaphragm valve is particularly suitable for shutting off and regulating abrasive or dirty fluids. The new internal geometry of the body increases flow coefficient, reduce pressure drop and allows a sensitive and precise adjustment along the entire stroke of the shutter. The DK is extremely compact and very light. The innovative handwheel is equipped with a patented immediate and ergonomic operating locking device that allows it to be adjusted and locked in any position.



DIALOCK® 2-WAY DIAPHRAGM VALVE

- Connection system for solvent weld, threaded and flanged joints
- **Optimised fluid dynamic design:** maximum output flow rate thanks to the optimised efficiency of the fluid dynamics that characterise the new internal geometry of the body
- **Internal components in metal, totally isolated from the fluid** and external environment
- **Modularity of the range:** only 2 handwheel and 4 diaphragm and bonnet sizes for 7 different valve sizes
- Non-rising handwheel that stays at the same height during rotation, equipped with a graduated optical indicator protected by a transparent PVC cap with seal O-Ring
- Bonnet fastening screws in stainless steel protected against the external environment by PE plugs. Absence of metal parts exposed to the external environment to prevent any risk of corrosion.
- **CDSA** (Circular Diaphragm Sealing Angle) system that, thanks to the uniform distribution of shutter pressure on the diaphragm seal, offers the following advantages:
 - reduction in the tightening torque of the screws fixing the actuator to the valve body
 - reduced mechanical stress on all valve components (actuator, body and diaphragm)
 - easy to clean valve interior
 - low risk of the accumulation of deposits, contamination or damage to the diaphragm due to crystallisation
 - operating torque reduction

Technical specifications	
Construction	Diaphragm valve with maximized flow rate and DIALOCK® lockable handwheel
Size range	DN 15 ÷ 65
Nominal pressure	PN 10 with water at 20° C
Temperature range	0 °C ÷ 60 °C
Coupling standards	<p>Solvent welding: EN ISO 1452, EN ISO 15493, BS 4346-1, DIN 8063, NF T54-028, ASTM D 2467. Can be coupled to pipes according to EN ISO 1452, EN ISO 15493, DIN 8062, NF T54-016, ASTM D 1785.</p> <p>Thread: ISO 228-1, DIN 2999, ASTM D 2464.</p> <p>Flanging system: ISO 7005-1, EN ISO 1452, EN ISO 15493, EN 558-1, DIN 2501, ANSI B.16.5 cl. 150, JIS B 2220.</p>
Reference standards	<p>Construction criteria: EN ISO 16138, EN ISO 1452, EN ISO 15493</p> <p>Test methods and requirements: ISO 9393</p> <p>Installation criteria: DVS 2204, DVS 2221, UNI 11242</p>
Valve material	<p>Body: PVC-U</p> <p>Bonnet and handwheel: PP-GR</p> <p>Position indicator cap: PVC</p>
Seal material	EPDM, FKM, PTFE
Control options	Manual control; pneumatic actuator



1 High visibility graduated optical position indicator protected by a transparent cap with seal O-Ring

2 Customisation plate: the customisation lets you identify the valve on the system according to specific needs

3 DIALOCK® SYSTEM: innovative handwheel with a patented immediate and ergonomic operating locking device that allows it **to be adjusted and locked in over 300 positions**

4 Handwheel and bonnet in high mechanical strength and chemically resistant **PP-GR**, providing full protection by isolating all internal metal parts from contact with external agents

5 Floating pin connection between the control screw and diaphragm to prevent concentrated loads, improve the seal and extend its lifetime

6 New design of valve body interior: substantially increased **flow coefficient** and reduced pressure drop. The degree of

efficiency reached has also **enabled the size and weight of the valve to be reduced**

7 Adjustment linearity: the internal profiles of the valve also greatly improve its characteristic curve, resulting in **extremely sensitive and precise adjustment** along the entire stroke of the shutter

8 Valve anchoring bracket **integrated in the body**, with threaded metal inserts allowing **simple panel or wall mounting** using the PMDK mounting plate (supplied as an accessory)

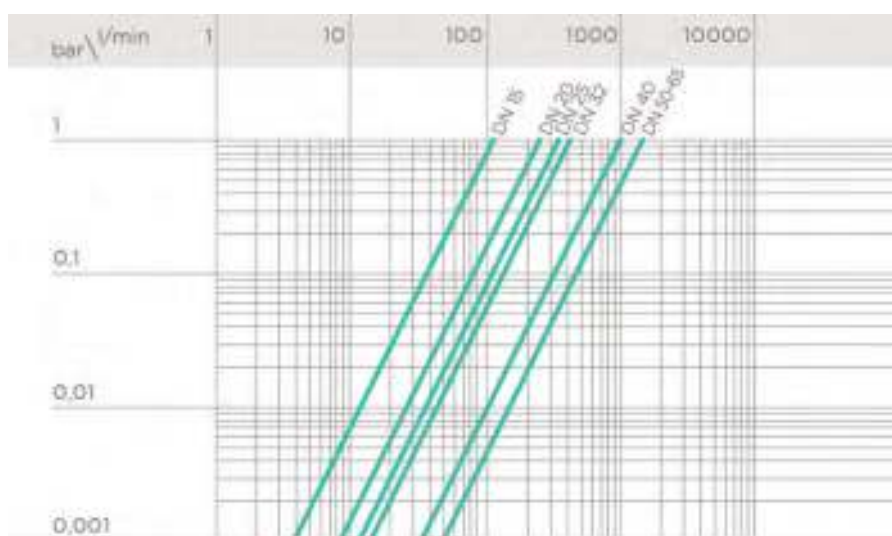
TECHNICAL DATA

PRESSURE VARIATION ACCORDING TO TEMPERATURE

For water and non-hazardous fluids with regard to which the material is classified as CHEMICALLY RESISTANT. In other cases, a reduction of the nominal pressure PN is required (25 years with safety factor).



PRESSURE DROP GRAPH



K_v100 FLOW COEFFICIENT

The K_v100 flow coefficient is the Q flow rate of litres per minute of water at a temperature of 20°C that will generate $\Delta p = 1$ bar pressure drop at a certain valve position. The K_v100 values shown in the table are calculated with the valve completely open.

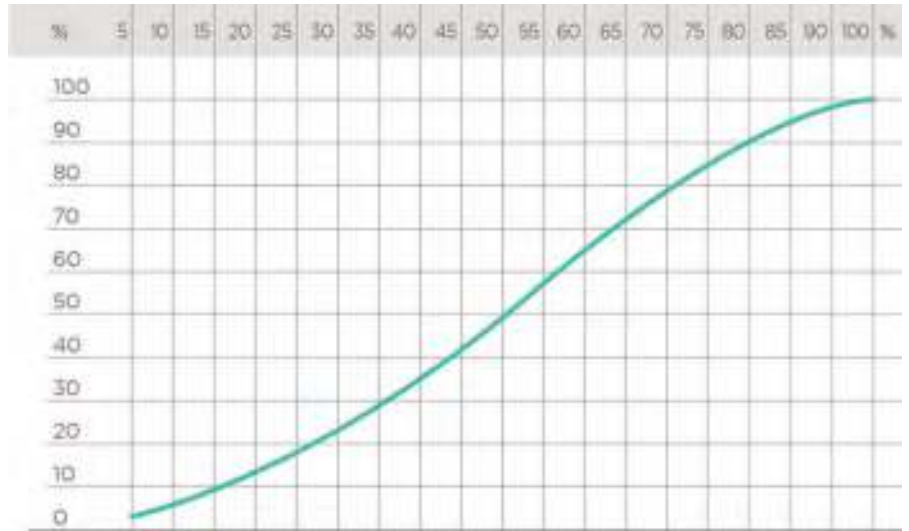
DN	15	20	25	32	40	50	65
K _v 100 l/min	112	261	445	550	1087	1648	1600

RELATIVE FLOW COEFFICIENT GRAPH

The relative flow coefficient is the flow rate through the valve as a function of the degree of valve opening.

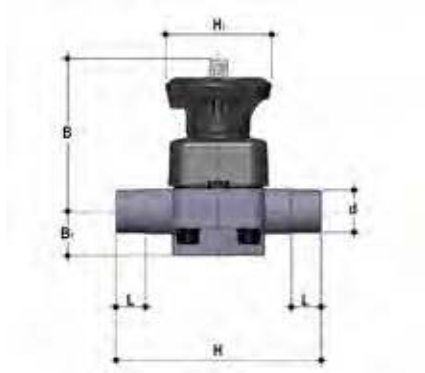
Horizontal axis: Percentage opening of the valve

Vertical axis: Relative flow coefficient



The information in this leaflet is provided in good faith. No liability will be accepted concerning technical data that is not directly covered by recognised international standards. FIP reserves the right to carry out any modification. Products must be installed and maintained by qualified personnel.

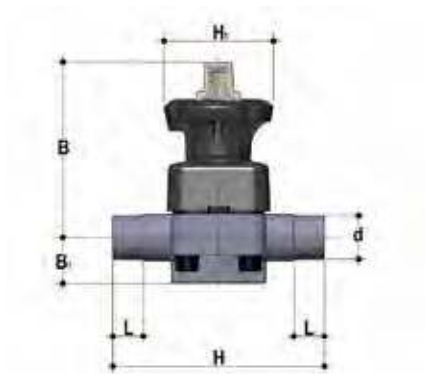
DIMENSIONS



DKDV

DIALOCK® diaphragm valve with male ends for solvent welding, metric series

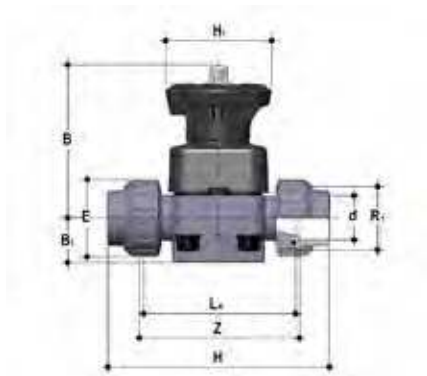
d	DN	PN	B	B ₁	H	H ₁	L	L _g	EPDM code	FKM code	PTFE code
20	15	10	102	25	124	80	16	460	DKDV020E	DKDV020F	DKDV020P
25	20	10	105	30	144	80	19	482	DKDV025E	DKDV025F	DKDV025P
32	25	10	114	33	154	80	22	682	DKDV032E	DKDV032F	DKDV032P
40	32	10	119	30	174	80	26	726	DKDV040E	DKDV040F	DKDV040P
50	40	10	149	35	194	120	31	1540	DKDV050E	DKDV050F	DKDV050P
63	50	10	172	46	224	120	38	2254	DKDV063E	DKDV063F	DKDV063P
75	65	10	172	46	284	120	44	2365	DKDV075E	DKDV075F	DKDV075P



DKLDV

DIALOCK® diaphragm valve with stroke limiter and male ends for solvent welding, metric series

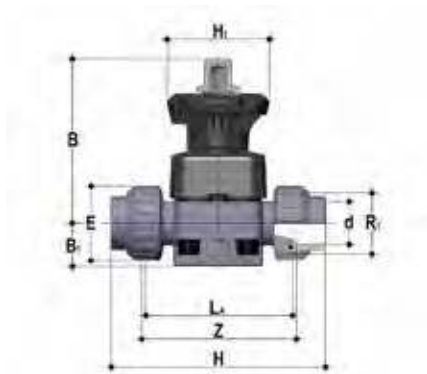
d	DN	PN	B	B ₁	H	H ₁	L	L _g	EPDM code	FKM code	PTFE code
20	15	10	115	25	124	80	16	490	DKLDV020E	DKLDV020F	DKLDV020P
25	20	10	118	30	144	80	19	512	DKLDV025E	DKLDV025F	DKLDV025P
32	25	10	127	33	154	80	22	712	DKLDV032E	DKLDV032F	DKLDV032P
40	32	10	132	30	174	80	26	756	DKLDV040E	DKLDV040F	DKLDV040P
50	40	10	175	35	194	120	31	1600	DKLDV050E	DKLDV050F	DKLDV050P
63	50	10	200	46	224	120	38	2314	DKLDV063E	DKLDV063F	DKLDV063P
75	65	10	200	46	284	120	44	2425	DKLDV075E	DKLDV075F	DKLDV075P



DKUIV

DIALOCK® diaphragm valve with female union ends for solvent welding, metric series

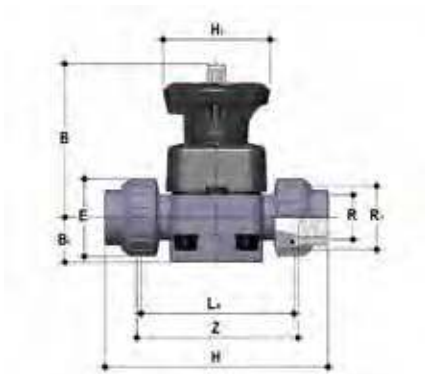
d	DN	PN	B	B ₁	E	H	H ₁	La	R ₁	Z	g	EPDM code	FKM code	PTFE code
20	15	10	102	25	41	129	80	90	1"	100	500	DKUIV020E	DKUIV020F	DKUIV020P
25	20	10	105	30	50	154	80	108	1 1/4"	116	562	DKUIV025E	DKUIV025F	DKUIV025P
32	25	10	114	33	58	168	80	116	1 1/2"	124	790	DKUIV032E	DKUIV032F	DKUIV032P
40	32	10	119	30	72	192	80	134	2"	140	916	DKUIV040E	DKUIV040F	DKUIV040P
50	40	10	149	35	79	222	120	154	2 1/4"	160	1768	DKUIV050E	DKUIV050F	DKUIV050P
63	50	10	172	46	98	266	120	184	2 3/4"	190	2668	DKUIV063E	DKUIV063F	DKUIV063P



DKLUIV

DIALOCK® diaphragm valve with stroke limiter and female union ends for solvent welding, metric series

d	DN	PN	B	B ₁	E	H	H ₁	La	R ₁	Z	g	EPDM code	FKM code	PTFE code
20	15	10	115	25	41	129	80	90	1"	100	530	DKLUIV020E	DKLUIV020F	DKLUIV020P
25	20	10	118	30	50	154	80	108	1 1/4"	116	592	DKLUIV025E	DKLUIV025F	DKLUIV025P
32	25	10	127	33	58	168	80	116	1 1/2"	124	820	DKLUIV032E	DKLUIV032F	DKLUIV032P
40	32	10	132	30	72	192	80	134	2"	140	946	DKLUIV040E	DKLUIV040F	DKLUIV040P
50	40	10	175	35	79	222	120	154	2 1/4"	160	1828	DKLUIV050E	DKLUIV050F	DKLUIV050P
63	50	10	200	46	98	266	120	184	2 3/4"	190	2728	DKLUIV063E	DKLUIV063F	DKLUIV063P

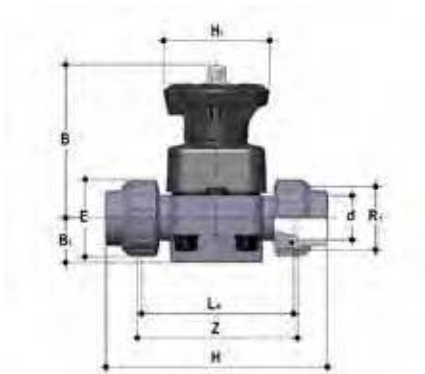


DKUFV

DIALOCK® diaphragm valve with BSP threaded female union ends

R	DN	PN	B	B ₁	E	H	H ₁	La	R ₁	Z	g	EPDM code	FKM code	PTFE code
1/2"	15	10	102	25	41	131	80	90	1"	97	500	DKUFV012E	DKUFV012F	DKUFV012P
3/4"	20	10	105	30	50	151	80	108	1 1/4"	118	562	DKUFV034E	DKUFV034F	DKUFV034P
1"	25	10	114	33	58	165	80	116	1 1/2"	127	790	DKUFV100E	DKUFV100F	DKUFV100P
1 1/4"	32	10	119	30	72	188	80	134	2"	145	916	DKUFV114E	DKUFV114F	DKUFV114P
1 1/2"	40	10	149	35	79	208	120	154	2 1/2"	165	1768	DKUFV112E	DKUFV112F	DKUFV112P
2"	50	10	172	46	98	246	120	184	2 3/4"	195	2668	DKUFV200E	DKUFV200F	DKUFV200P

DKLUFV version available on request

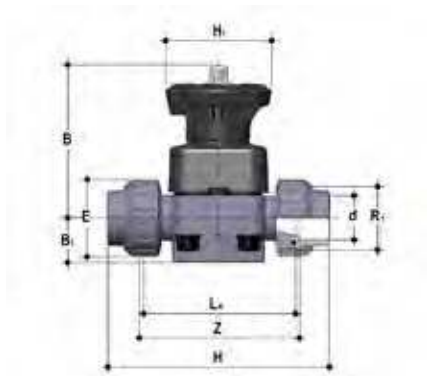


DKUAV

DIALOCK® diaphragm valve with female union ends for solvent welding, ASTM series

d	DN	PN	B	B ₁	E	H	H ₁	La	R ₁	Z	g	EPDM code	FKM code	PTFE code
1/2"	15	10	102	25	41	143	80	90	1"	98	500	DKUAV012E	DKUAV012F	DKUAV012P
3/4"	20	10	105	30	50	167	80	108	1 1/4"	115	562	DKUAV034E	DKUAV034F	DKUAV034P
1"	25	10	114	33	58	180	80	116	1 1/2"	122	790	DKUAV100E	DKUAV100F	DKUAV100P
1 1/4"	32	10	119	30	72	208	80	134	2"	144	916	DKUAV114E	DKUAV114F	DKUAV114P
1 1/2"	40	10	149	35	79	234	120	154	2 1/2"	164	1768	DKUAV112E	DKUAV112F	DKUAV112P
2"	50	10	172	46	98	272	120	184	2 3/4"	195	2668	DKUAV200E	DKUAV200F	DKUAV200P

DKLUAV version available on request

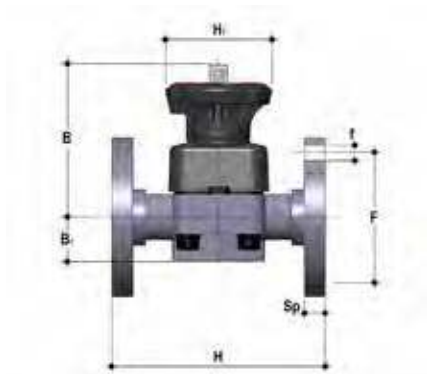


DKULV

DIALOCK® diaphragm valve with female union ends for solvent welding, BS series

d	DN	PN	B	B ₁	E	H	H ₁	La	R ₁	Z	g	EPDM code	FKM code	PTFE code
1/2"	15	10	102	25	41	131	80	90	1"	97	500	DKULV012E	DKULV012F	DKULV012P
3/4"	20	10	105	30	50	154	80	108	1 1/4"	116	562	DKULV034E	DKULV034F	DKULV034P
1"	25	10	114	33	58	166	80	116	1 1/2"	121	790	DKULV100E	DKULV100F	DKULV100P
1 1/4"	32	10	119	30	72	194	80	134	2"	142	916	DKULV114E	DKULV114F	DKULV114P
1 1/2"	40	10	149	35	79	222	120	154	2 1/4"	162	1768	DKULV112E	DKULV112F	DKULV112P
2"	50	10	172	46	98	266	120	184	2 3/4"	194	2668	DKULV200E	DKULV200F	DKULV200P

DKLULV version available on request

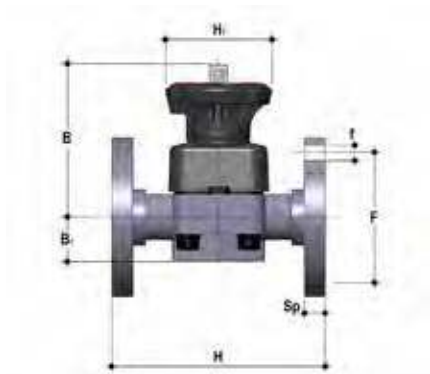


DKOV

DIALOCK® diaphragm valve with flanged monolithic body, drilled PN10/16. Face to face according to EN 558-1

d	DN	PN	B	B ₁	F	f	H	H ₁	Sp	U	g	EPDM code	FKM code	PTFE code
20	15	10	102	25	65	14	130	80	4	13.5	925	DKOV020E	DKOV020F	DKOV020P
25	20	10	105	30	75	14	150	80	4	13.5	990	DKOV025E	DKOV025F	DKOV025P
32	25	10	114	33	85	14	160	80	4	13.5	1054	DKOV032E	DKOV032F	DKOV032P
40	32	10	119	30	100	18	180	80	4	14	1272	DKOV040E	DKOV040F	DKOV040P
50	40	10	149	35	110	18	200	120	4	16	2164	DKOV050E	DKOV050F	DKOV050P
63	50	10	172	46	125	18	230	120	4	16	3009	DKOV063E	DKOV063F	DKOV063P
75	65	10	172	46	145	18	290	120	4	21	3610	DKOV075E	DKOV075F	DKOV075P

DKLOV version available on request



DKOAV

DIALOCK® diaphragm valve with flanged monolithic body, drilled ANSI B16.5 cl. 150 #FF

d	DN	PN	B	B ₁	F	f	H	H ₁	Sp	U	g	EPDM code	FKM code	PTFE code
1/2"	15	10	102	25	60.3	14	108	80	13,5	4	925	DKOAV012E	DKOAV012F	DKOAV012P
3/4"	20	10	105	30	70	15.7	120	80	13,5	4	990	DKOAV034E	DKOAV034F	DKOAV034P
1"	25	10	114	33	80	15.7	131	80	13,5	4	1054	DKOAV100E	DKOAV100F	DKOAV100P
1" 1/4	32	10	119	30	89	15.7	162	80	14	4	1272	DKOAV114E	DKOAV114F	DKOAV114P
1" 1/2	40	10	149	35	99	15.7	180	120	16	4	2164	DKOAV112E	DKOAV112F	DKOAV112P
2"	50	10	172	46	121	19	210	120	16	4	3009	DKOAV200E	DKOAV200F	DKOAV200P
2" 1/2	65	10	172	46	140	19	250	120	21	4	3610	DKOAV212E	DKOAV212F	DKOAV212P

DKLOAV version available on request
For installation prior to october 2017 please contact Fip Technical Support