

Technical specification sheet

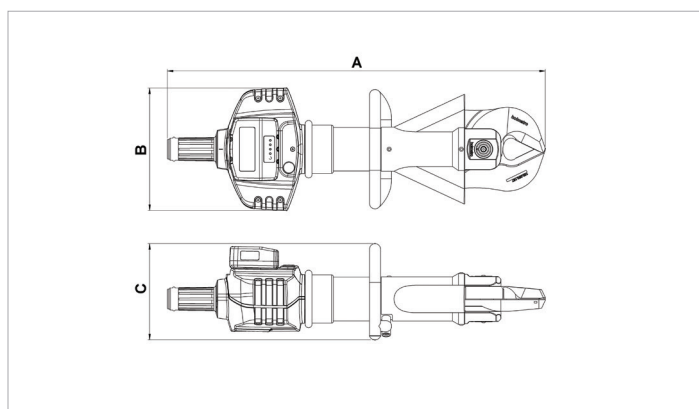
BCU 40 A 20 | Battery Cutter

| Specifications | | |
|----------------------------------|---------|----------------|
| article number | | 170.012.135 |
| model | | BCU 40 A 20 |
| blade type | | 20 short |
| cutter type | | mobile |
| short description | | Battery Cutter |
| battery included | | no |
| max. working pressure | bar/Mpa | 500 / 50 |
| max. cutting opening | mm | 102 |
| max. cutting force | kN/t | 594 / 60.6 |
| protection rate | | IP54 |
| sound emission @ 1m/3.25ft | dB(A) | 65 |
| sound emission @ 4m/13ft | dB(A) | 74 |
| required oil content (effective) | cc | 163 |
| weight, ready for use | kg | 23.2 |
| temperature range | °C | -20 + 55 |

| Technical drawing dimensions | | |
|------------------------------|----|-----|
| dimension A | mm | 854 |
| dimension B | mm | 277 |
| dimension C | mm | 218 |

| Required articles | | |
|--------------------------------|--|-------------|
| Greenline Battery BPA286 | | 151.000.307 |
| Greenline Battery Charger BCH2 | | 150.182.209 |
| Greenline Battery BPA285 | | 150.006.208 |
| Greenline Battery Charger BCH3 | | 150.182.286 |
| Greenline Battery Charger BCH1 | | 150.182.208 |

| Accessories | | |
|----------------------------|--|-------------|
| Carrying Strap | | 150.182.249 |
| Mains Power Connector BMC2 | | 150.182.207 |
| Ratched Head | | 150.581.672 |
| Torque Wrench | | 150.581.671 |
| Cap. Hex. Size 41 | | 150.581.691 |
| Battery Pouch | | 150.182.214 |
| Lubricants Set | | 170.013.021 |
| Mains Power Connector BMC1 | | 150.182.206 |



holmatro.com

© Holmatro 2021-09-01

While the greatest care has been devoted to the content, it is possible that the information in this printed matter is incorrect or incomplete. Holmatro B.V. and its affiliated companies (hereafter: Holmatro) cannot be held liable in any way for the consequences of activities undertaken on the basis of this printed matter. Values can vary within the manufacturer measurements. If you have any doubts about the correctness or completeness of the information, you shall contact Holmatro (T +31 (0)162-751480). Nothing from this printed matter can be copied and/or made public in any way without the explicit authorisation of Holmatro.