

Explosion Proof Position Indicator

Model 371MT7

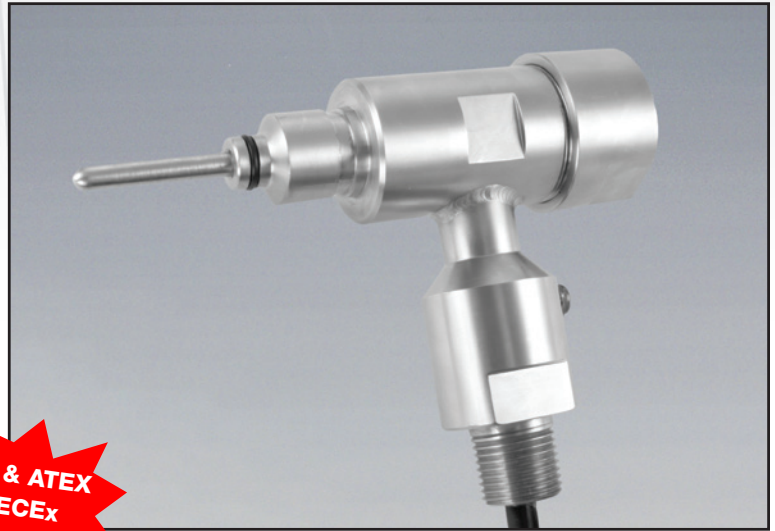
Reliable valve position feedback

Features

- ▶ Fits all Series II & Series III-L valves
- ▶ 2 position and 3 position
- ▶ 30 VDC max, 500 mA (PLC compatible)
- ▶ Explosion proof
- ▶ Intrinsically safe
- ▶ UL & ATEX / IECEx certified
- ▶ NEMA 4X, IP66

Applications

- ▶ Valve status output
- ▶ BOP closing unit 'OPEN-CLOSE' signal
- ▶ Hydraulic power units



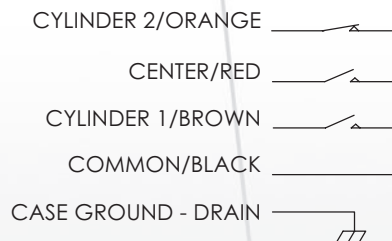
General Specifications*

Housing Material:	Stainless steel
Enclosure:	NEMA 4X, IP66
Electrical Rating:	30 VDC max, 500 mA (carry current)
Electrical Connection:	½" NPT rotating female conduit connection with 39" cable
Electrical Cable:	UL listing, 4 conductors, 22 AWG TPE flame resistant jacket. Resistance to oils, fuels, and solvents
Maximum Contact Resistance:	100 milliohms
Switch Type:	SPST

* See Product Configurator for additional options.

Approvals:	cULus: Class I, Groups A (UL only), B, C & D, Class II, Groups E, F & G. Intrinsically safe when installed per I.S. Control Drawing 272263. ATEX/IECEx certification: CE 0081 DEMKO 09 ATEX 0816092X ⓧ II 2 G D, Ex d IIC T6 Gb, Ex ib IIC T6 GB, Ex tb IIIC T80°C Db IP66, -40°C ≤ Tamb ≤ +60°C IECEx UL 08.0022X
Valve Position Feedback:	2-position 3-position
Operating Temperature:	-40 to +140°F (-40 to 60°C)
Installation Instructions:	- Connect electrical wires - Lightly lubricate the position indicator O-rings (2) - Fully insert switch into stop screw - Rotate position indicator for optimum cable exit - Secure set screws (2)
Weight:	2 lbs.

Wiring Code



Explosion Proof Position Indicator

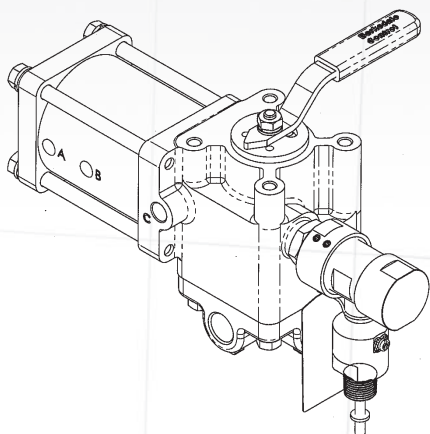
Model 371MT7

Reliable valve position feedback

When ordering together with Series II or Series III-L valves

Product Configurator

Example:	Series II or Series III-L valve part number	-B	-W180
----------	---	----	-------



Base Model

-B Position indicator

Option

Blank Standard cable length is 39"
 -WXXX Extra cable length (XXX noted in inches)

When ordering separately as replacement or spare part

Product Configurator

Example:	371MT7	3	
----------	--------	---	--

Base Model

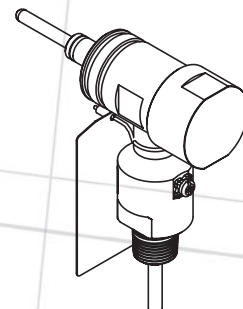
371MT73 Position indicator

Size

3 Fits 1/4" and 1/2" Series II valves
 5 Fits Series II 1", 1 1/2" and Series III-L 1"

Option

Blank Standard cable length is 39"
 -WXXX Extra cable length (XXX noted in inches)



When ordering to retrofit existing valves without -B option

Product Configurator

Example:	371MT73-KIT	
	371MT75-KIT	

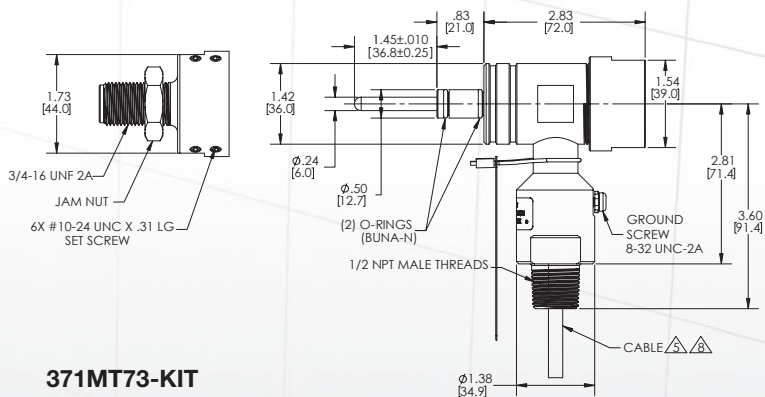
Size

371MT73-KIT Fits 1/4" & 1/2" Series II valves
 371MT75-KIT Fits Series II 1", 1 1/2" and Series III-L 1"

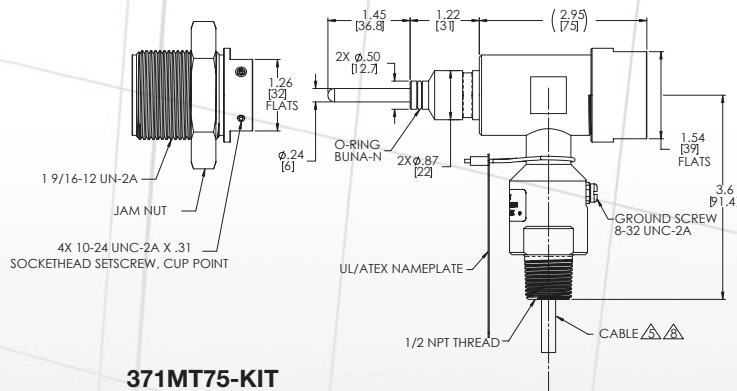
Option

Blank Standard 1 meter cable
 -WXXX Extra cable length (XXX noted in inches)

Example: 371MT73-W180-KIT



Example: 371MT75-KIT



371MT73-KIT

371MT75-KIT