

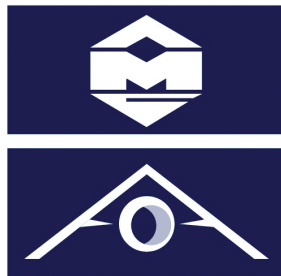
ABK
CUSTOMISED BALL VALVES
COMPLETE PRODUCT RANGE

AMG-PESCH®



An **ERIKS** Company

QUALITY IS OUR DRIVE



an **ERIKS** company

As customers of AMG Pesch were repetitively asking for specific modifications and tailor made solutions beside our actuator program and the standard range of valves the decision was taken in 1989 to become a manufacturer of „special valves for specific requirements and individual applications“.

Depending on

- Pressure range and temperature
- Fluid characteristics
- Process conditions
- Specific requirements on site

we offer customised solutions, based on the different types of valves as described on the following pages.

The given parameters determine the choice of

- right sealing system and components around stem and ball
- design and execution of the inner passages, suspension and dead spaces,
- build-in materials
- manufacturing processes and dimensions
- actuation and control
- regulations, approvals and specifications to be respected.

In order to implement these requirements, we refer as much as possible to reliable, proven and standardised solutions to minimise variety and to ease the use, maintenance and supply of spare parts.

In accordance with our tradition and experience as manufacturer and supplier of both components, valve and actuator, we always have the right automation in mind and are pleased to provide you with complete automated units from one single source.

Since the take over through ERIKS (www.eriks.com) in 2011, good perspectives have been created for a sustainable development such as becoming a competence centre for valves, actuators and complete automated systems.

In addition to our high- quality valve and actuator technology you can now take profit from a wide range of more than 600.000 industrial components and from the presence and performance of a strong and reliable partner

Customised ball valves from **ABK** – handled with professionalism and safety.

Quality is our drive



OVERVIEW

BI 10

**Bottom outlet ball valve
(one-piece body)**



BI 11

**Bottom outlet ball valve
(two-piece body)**



T

Solid material ball valve



BGI

Solid material ball valve



C

2-way ball valve



D

3-way ball valve, 90°



N

3-way ball valve, 120°



K

3-way ball valve, vertical



E

4-way ball valve



F

5-way ball valve



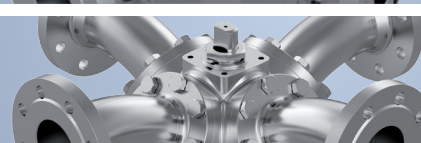
G

3-way piggable ball valve



O

5-way piggable ball valve



M

Compact ball valve



MSE

Sampling ball valve



CUSTOMISED BALL VALVES

DESIGN PRINCIPLES

MATERIALS AND SEALING SYSTEMS



STEM SEALING SYSTEMS

- O-ring sealed systems
- Pure PTFE packing, spring loaded
- Pure graphite packing, spring loaded
- PTFE / graphite combination packing

BALL SEAT SYSTEMS

Soft seated with PTFE compounds

Spring loaded systems:

- PEEK seated
- Carbon seated
- Metal seated

Available materials:

- Carbon steel, Stainless steel,
- Alloy, Monell, Inconell,
- Hastelloy, Titanium

QUALITY & APPROVALS

certified quality management-system
according to DIN EN ISO 9001:2008

production and testing according to:

- TA-Luft acc. to VDI 2440
- Quality assurance system acc. to directive
97/23/EG (Modul H) / AD 2000



CUSTOMISED BALL VALVES

TYPE BI 10

BOTTOM OUTLET BALL VALVE

TYPE BI 10

One-piece body

Available design features:

- Full bore Floating ball
- Stuffing box
- Heating jacket
- Minimised cavity
- Spring loaded ball sealing system

Sizes range: DN 15 – DN 80 / 1/2" up to 3"

Pressure range: PN 16, Class 150

Temperature range: -40°C up to +300°C



CUSTOMISED BALL VALVES

TYPE BI 11

BOTTOM OUTLET BALL VALVE

TYPE BI 11

Two-piece body

Available design features:

- Full bore Floating ball
- Spring loaded ball sealing system
- Heating jacket
- Minimised cavity

Sizes range: DN 50/25 – DN 350/250 / 1" up to 10"

Pressure range: PN 10/16, Class 150

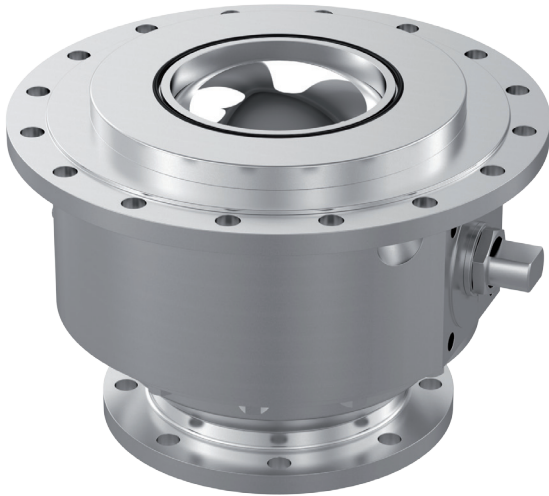
Temperature range: -40°C up to +300°C



CUSTOMISED BALL VALVES

TYPE T

FOR SOLID MATERIAL HANDLING



TYPE T

Available design features:

- Full ball
- Spring loaded sealing system
- One-ball sealing system
- Trunnion mounted ball

Sizes range: DN 80 – 200 / 3" to 8"

Pressure range: PN10 / 16, Class 150

Temperature range: -40°C up to +200°C

CUSTOMISED BALL VALVES

TYPE BGI

FOR SOLID MATERIAL HANDLING



TYPE BGI

Design features:

- Segment ball
- Trunnion mounted
- Active sealing system
- Seat materials PEEK, carbon, metal

Sizes range: DN 200/150 – DN 350/250 / 6" up to 12"

Pressure range: PN 10/16, Class 150

Temperature range: -40°C up to +200°C

CUSTOMISED BALL VALVES

TYPE C

2-WAY BALL VALVES

TYPE C

Flanged type

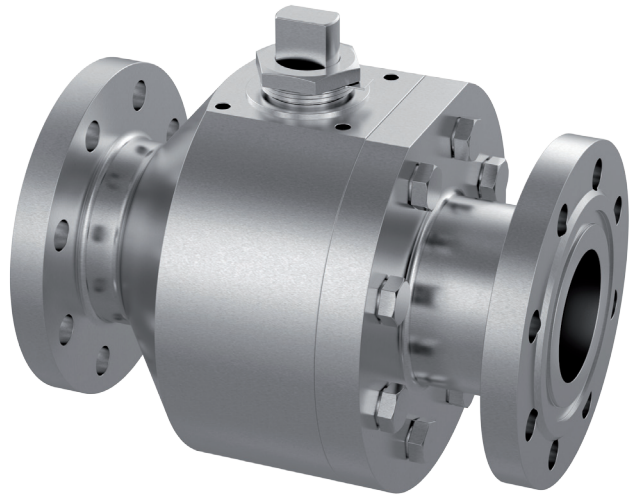
Available design features:

- Full bore
- Floating ball / Trunnion mounted ball
- Piggable ball design
- Two & three parts body design
- Heating jacket

Sizes range: DN 15 – DN 200 / 1/2" up to 8"

Pressure range: PN 10 – PN 63, Class 150 - 600

Temperature range: -40°C up to +300°C



CUSTOMISED BALL VALVES

TYPE D

3-WAY BALL VALVE, HORIZONTAL

TYPE D

3-way ball valve, horizontal

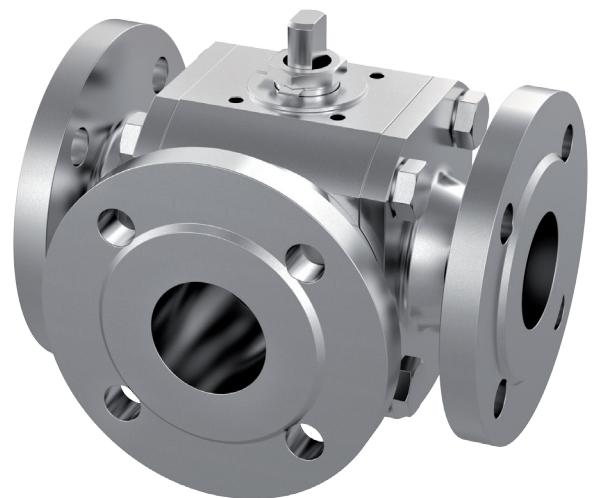
Available design features:

- Full bore
- Sealing on all sides
- Chambered seats
- Heating jacket

Sizes range: DN 15 – DN 200 / 1/2" up to 8"

Pressure range: PN 10 – PN 40, Class 150 - 300

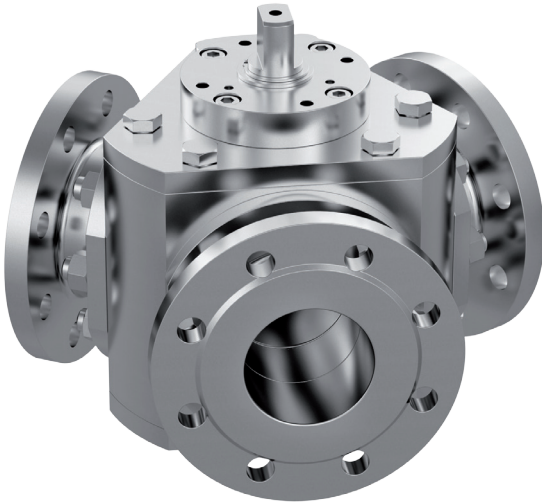
Temperature range: -40°C up to +300°C



CUSTOMISED BALL VALVES

TYPE N

3-WAY BALL VALVE 120°



TYPE N

3-way ball valve, horizontal 120°

Available design features:

- Full bore
- Floating ball

Sizes range: DN 15 – DN 200 / 1/2" up to 8"

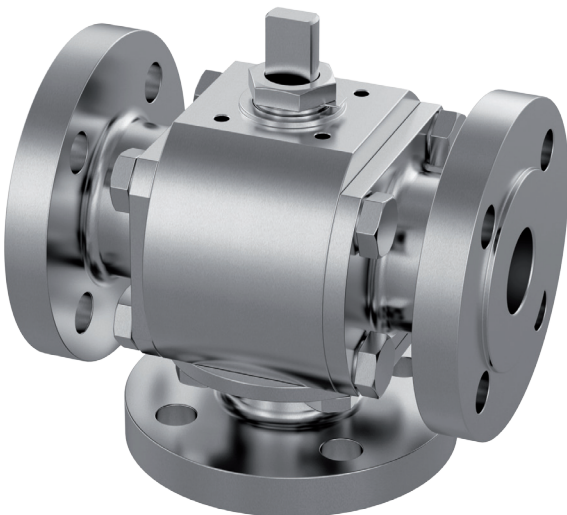
Pressure range: PN 10 – PN 40, Class 150 - 300

Temperature range: -40°C up to +300°C

CUSTOMISED BALL VALVES

TYPE K

3-WAY BALL VALVE, VERTICAL



TYPE K

Available design features:

- Full bore
- Floating ball
- Vertical L-boar

Sizes range: DN 15 – DN 200 / 1/2" up to 8"

Pressure range: PN 10/16, Class 150

Temperature range: -40°C up to +300°C

SONDERARMATUREN / CUSTOMISED BALL VALVES

TYPE E

4-WAY BALL VALVE

TYPE E

4-way ball valve, horizontal

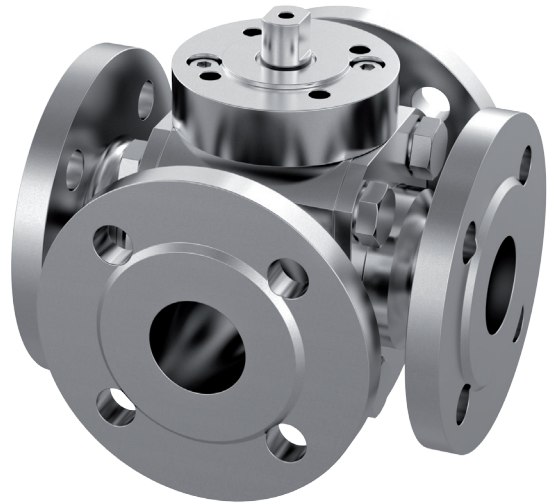
Available design features:

- Full bore
- Floating ball

Sizes range: DN 15 – DN 200 / 1/2" up to 8"

Pressure range: PN 10 – PN 40, Class 150 - 300

Temperature range: -40°C up to +300°C



CUSTOMISED BALL VALVES

TYPE F

5-WAY BALL VALVE

TYPE F

5/4-way ball valve, four horizontal, one vertical

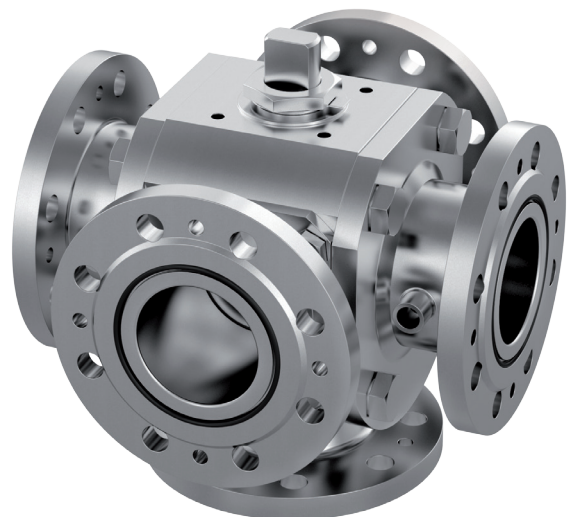
Available design features:

- Full bore
- Floating ball

Sizes range: DN 15 – DN 200 / 1/2" up to 8"

Pressure range: PN 10 – PN 40, Class 150 - 300

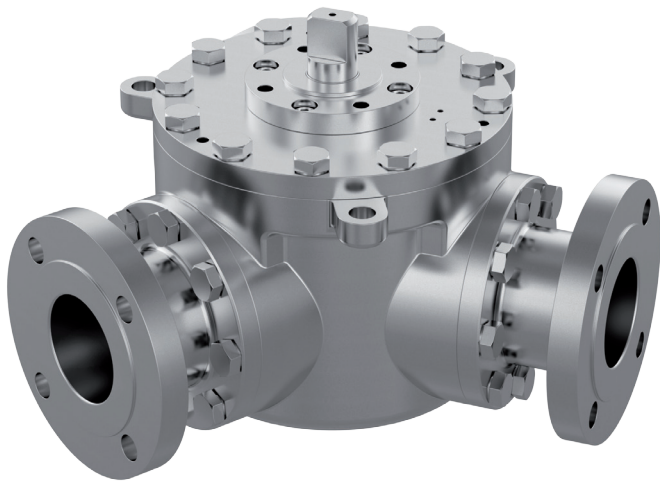
Temperature range: -40°C up to +300°C



CUSTOMISED BALL VALVES

TYPE G

3-WAY PIGGABLE BALL VALVE



TYPE G

3-way piggable ball valve, horizontal

Available design features:

- Full bore
- Floating ball
- Trunnion mounted ball
- Heating jacket

Sizes range: DN 50 – DN 150 / 2" up to 8"

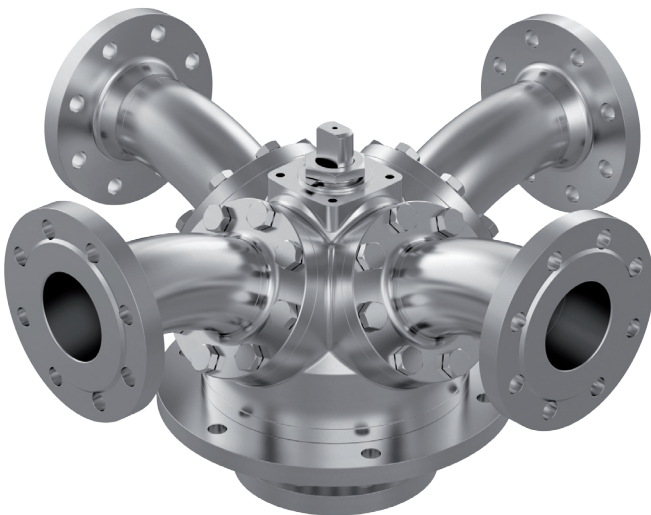
Pressure range: PN 16 – PN 40, Class 150 - 300

Temperature range: -40°C up to +200°C

CUSTOMISED BALL VALVES

TYPE O

5-WAY PIGGABLE BALL VALVE



TYPE O

5/4-way piggable ball valve, four horizontal, one vertical

Available design features:

- Full bore
- Floating ball
- Trunnion mounted ball

Sizes range: DN 50 – DN 150 / 2" up to 6"

Pressure range: PN 16 – PN 40, Class 150 - 300

Temperature range: -40°C up to +200°C

CUSTOMISED BALL VALVES

TYPE M

COMPACT BALL VALVE

TYPE M

Compact type

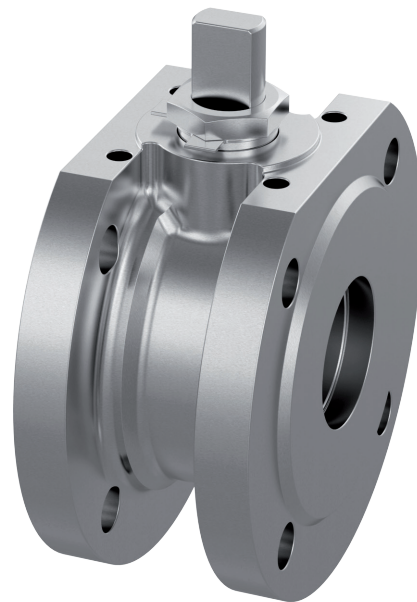
Available design features:

- Full bore
- Floating ball
- Piggable ball design
- One part body design

Sizes range: DN 15 – DN 200 / 1/2" up to 8"

Pressure range: PN 10 – PN 63, Class 150 - 600

Temperature range: -40°C up to +300°C



CUSTOMISED BALL VALVES

TYPE MSE

SAMPLING BALL VALVES

TYPE MSE

Sampling ball valves

Available design features:

- Directly integrated into the piping system
- Defined sampling volume
- Floating ball
- Minimised cavity
- Operation free of working pressure

Piping diameter: DN 25 – DN 100 / 1" up to 4"

Valve size: DN 15 – DN 80 / 1/2" up to 3"

Pressure range: PN16 – PN 40, Class 150 - 300

Temperature range: -40°C up to +300°C



LOCATIONS



AMG-PESCH GmbH
Adam-Riese-Straße 1
D - 50996 Köln
Tel.: +49 (0) 22 36 - 89 16 - 0
Fax: +49 (0) 22 36 - 89 16 - 56
info@amg-pesch.com
www.amg-pesch.com



Subsidiary Zwenkau

Baumeisterallee 33
D - 04442 Zwenkau
Tel.: +49 (0) 34203 · 471 - 114
Fax: +49 (0) 34203 · 471 - 155
info@amg-pesch.com
www.amg-pesch.com

AMG-PESCH®



An **ERIKS** Company