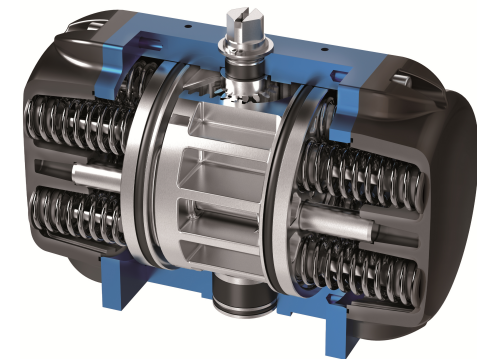


DOUBLE-PISTON QUARTER TURN ACTUATORS

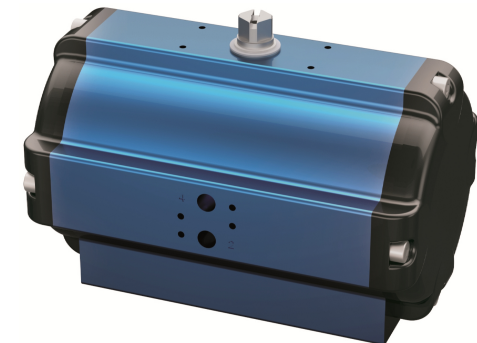
TYPE BR16 SAD / SAF 90°

Technical Data

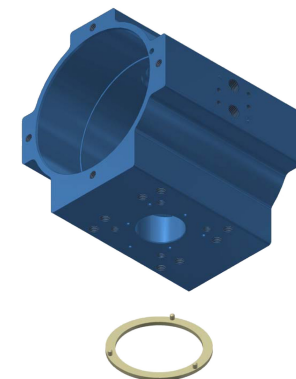
Design :	Pneumatic double-piston quarter turn actuator
Design features :	Rack-and-pinion system, piston guide via guide rods
Angle of rotation :	0°-90°
Air pressure supply :	mind. 2 bar, max. 10 bar
Operating medium :	Dry and filtered compressed air
Ambient temperature :	-25°C to +80°C
Mounting position :	any
Resistance to corrosion :	Industrial atmosphere
Lubrication :	Life time lubrication with grease ISO 51825-K2K-30
Seals :	NBR-O-Rings, 70 Shore
Coatings :	Housing anodized and colour sealed End caps - CED cathodic electrodeposition
Maintenance and inspection :	AMG actuators are free of maintenance within the life time. Provided that: <ul style="list-style-type: none"> • the actuator is properly mounted • the operating medium used is clean and non-aggressive • the actuator is operated under normal ambient conditions • the actuator is used in compliance with the intended use (see assembly and maintenance manual)
Applied standard:	DIN EN ISO 5211, DIN EN 15714-3, VDI / VDE 3845, DIN 79
Options:	Extended angle of rotation 120°, 135°, 180° Adjustable inner / outer travel stops up to +/- 5° via travel-stop-module (TSM) Ambient temperature up to +100°C Ambient temperature down to -40°C Sealing elements made of FKM (viton) or alternatively fluorosilicone Tailor made mounting kits and dimensioning acc. To customer requirements Variable cycle times (fast / slow) Variable sens of rotation (clockwise / counterclockwise) Coating options: Hard-Coat, chemical nickelplating, plastic coating, special lacquer



SAF



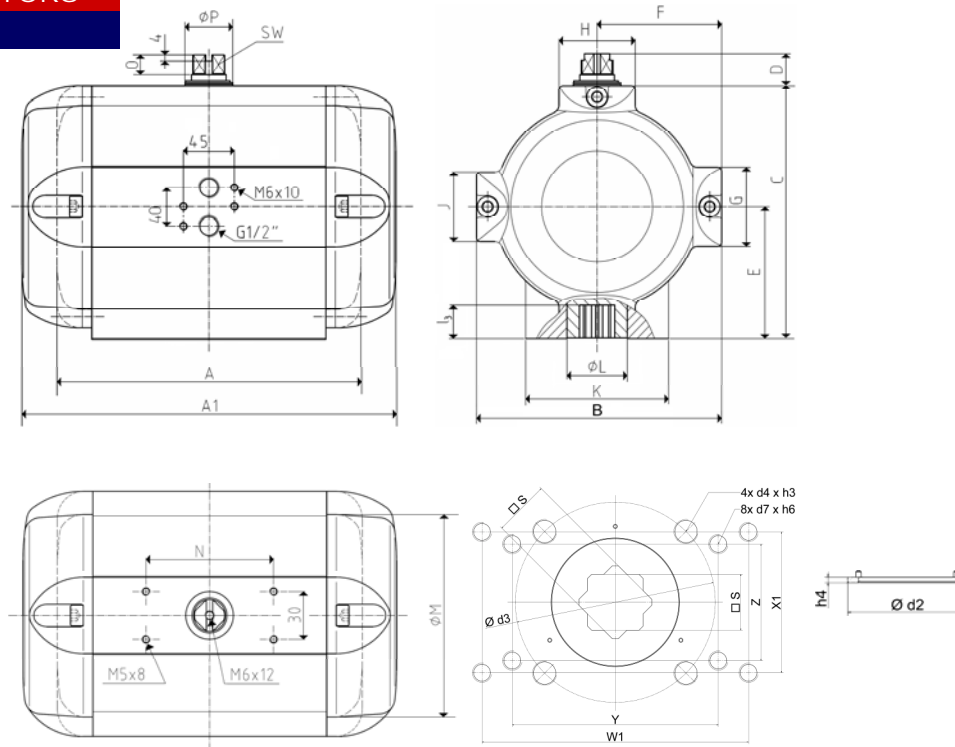
SAD





an ERIES company

DOUBLE-PISTON QUARTER TURN ACTUATORS
TYPE BR16 SAD / SAF 90°



Size	43	
Weight [kg]		
Type SAD	58,0	
Type SAF	78,0	
Stroke volume [dm³]		
Type SAD	20,5	
Type SAF	11,5	
Operating times [sec.] ¹⁾		
Type SAD OPEN	3,3	
Type SAD CLOSE	3,3	
Type SAF ²⁾ OPEN	6,0	
Type SAF ²⁾ CLOSE	2,0	

1) operating times at 4,5 bar air pressure supply without load (standard values)

2) Type SAF with 9 springs

Type	number of springs n	spring-torque Ms [Nm]	air torque Ma [Nm] at operating pressure pe [bar]																											
			2 bar		2,5 bar		3 bar		3,5 bar		4 bar		4,5 bar		5 bar		5,5 bar		6 bar		6,5 bar		7 bar		7,5 bar		8 bar			
			MIN	MAX	MIN	MAX	MIN	MAX	MIN	MAX	MIN	MAX	MIN	MAX	MIN	MAX	MIN	MAX	MIN	MAX	MIN	MAX	MIN	MAX	MIN	MAX	MIN	MAX	MIN	MAX
SAD 43	-	-	715		926		1136		1340		1548		1761		1967		2175		2385		2598		2798		2998		3197			
SAF 43	4	298 456	259	417	470	628	680	838	884	1042	1092	1250	1305	1463	1511	1669	1719	1877	1929	2087	2142	2300	2342	2500	2542	2700	2741	2899		
	5	372 570	145	343	356	554	566	764	770	968	978	1176	1191	1389	1397	1595	1605	1803	1815	2013	2028	2226	2228	2426	2428	2626	2627	2825		
	6	447 684	31	268	242	479	452	689	656	893	864	1101	1077	1314	1283	1520	1491	1728	1701	1938	1914	2151	2114	2351	2314	2551	2513	2750		
	7	521 798			128	405	338	615	542	819	750	1027	963	1240	1169	1446	1377	1654	1587	1864	1800	2077	2000	2277	2200	2477	2399	2676		
	8	596 912					224	540	428	744	636	952	849	1165	1055	1371	1263	1579	1473	1789	1686	2002	1886	2202	2086	2402	2285	2601		
	9	670 1026					110	466	314	670	522	878	735	1091	941	1297	1149	1505	1359	1715	1572	1928	1772	2128	1972	2328	2171	2527		
	10	744 1140							200	596	408	804	621	1017	827	1223	1035	1431	1245	1641	1458	1854	1658	2054	1858	2254	2057	2453		
	11	819 1254							86	521	294	729	507	942	713	1148	921	1356	1131	1566	1344	1779	1544	1979	1744	2179	1943	2378		
	12	893 1368									180	655	393	868	599	1074	807	1282	1017	1492	1230	1705	1430	1905	1630	2105	1829	2304		
	special version																													
	13	969 1482									66	580	279	793	485	999	693	1207	903	1417	1116	1630	1316	1830	1516	2030	1715	2229		
	14	1042 1596													165	719	371	925	579	1133	789	1343	1002	1556	1202	1756	1402	2155		

Design	SAD / SAF
Size	43
A (double-acting)	463
A1 (single-acting)	649
B	288
C	296
D	20
E	146
F	144
G	84
H	108
K	150
Ø L	106
J	84
Ø M	258
N	80
O	12
Ø P	63
SW	30
Connection ISO 5211	F16
Ø d2	130
h4	3
Ø d3	165
4x d4xh3	4x M20x32
Ø d5	-
l3	50
s	46
4x d6xh5	-
8x d7xh6	8x M16x24
Y	170
Z	96
W1	220
X1	116
G1	-