

## Technical Data

<b>Design :</b>	Pneumatic double-piston quarter turn actuator
<b>Design features :</b>	Rack-and-pinion system, piston guide via guide rods
<b>Angle of rotation :</b>	0°-90°
<b>Air pressure supply :</b>	mind. 2 bar, max. 10 bar
<b>Operating medium :</b>	Dry and filtered compressed air
<b>Ambient temperature :</b>	-25°C to +80°C
<b>Mounting position :</b>	any
<b>Resistance to corrosion :</b>	Industrial atmosphere
<b>Lubrication :</b>	Life time lubrication with grease ISO 51825-K2K-30
<b>Seals :</b>	NBR-O-Rings, 70 Shore
<b>Coatings :</b>	Housing anodized and colour sealed End caps - CED cathodic electrodeposition
<b>Maintenance and inspection :</b>	AMG actuators are free of maintenance within the life time. Provided that: <ul style="list-style-type: none"> <li>• the actuator is properly mounted</li> <li>• the operating medium used is clean and non-aggressive</li> <li>• the actuator is operated under normal ambient conditions</li> <li>• the actuator is used in compliance with the intended use (see assembly and maintenance manual)</li> </ul>
<b>Applied standard:</b>	DIN EN ISO 5211, DIN EN 15714-3, VDI / VDE 3845, DIN 79
<b>Options:</b>	Extended angle of rotation 120°, 135°, 180° Adjustable inner / outer travel stops up to +/- 5° via travel-stop-module (BR03C-DE) Ambient temperature up to +100°C (BR03C-HT Version) Ambient temperature down to -40°C (BR03C-TT Version) Sealing elements made of FKM (viton) or alternatively fluorosilicone Tailor made mounting kits and dimensioning acc. To customer requirements Variable cycle times (fast / slow) Variable sens of rotation (clockwise / counterclockwise) Coating options: Hard-Coat, chemical nickelplating, plastic coating, special lacquer

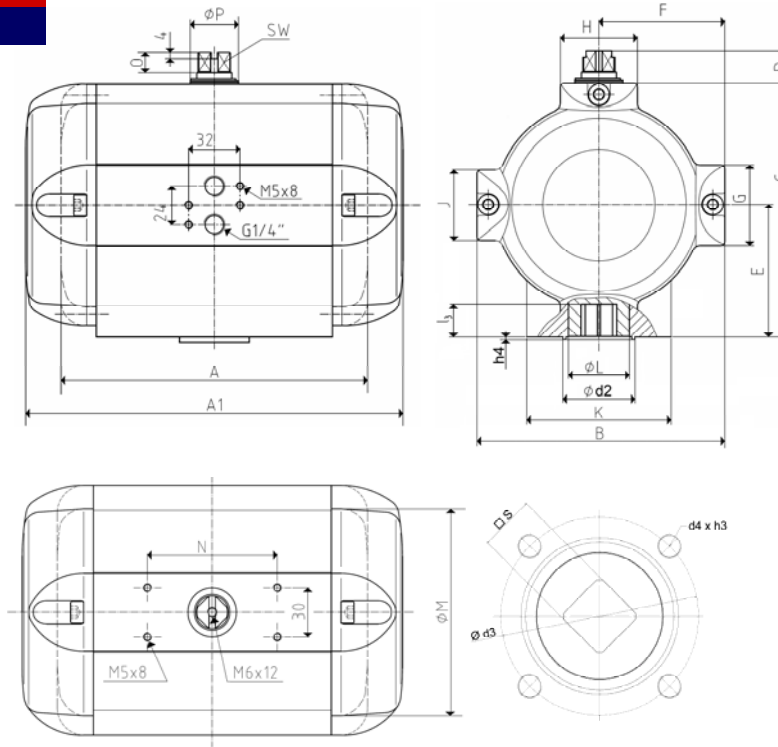

**SAF**

**SAD**

<b>Size</b>	<b>30</b>	
<b>Weight [kg]</b>		
<b>Type SAD</b>	12,0	
<b>Type SAF</b>	13,5	
<b>Stroke volume [dm³]</b>		
<b>Type SAD</b>	2,8	
<b>Type SAF</b>	1,5	
<b>Operating times [sec.] <sup>1)</sup></b>		
<b>Type SAD OPEN</b>	0,5	
<b>Type SAD CLOSE</b>	0,5	
<b>Type SAF <sup>2)</sup> OPEN</b>	0,5	
<b>Type SAF <sup>2)</sup> CLOSE</b>	0,3	

1) operating times at 4,5 bar air pressure supply without load (standard values)

2) Type SAF with 9 springs



Design	SAD / SAF
<b>Size</b>	<b>30</b>
A (double-acting)	230
A1 (single-acting)	346
B	174
C	174
D	20
E	89
F	87
G	50
H	64
K	90
Ø L	47
J	50
Ø M	145
N	80
O	12
Ø P	36
SW	17
<b>Connection ISO 5211</b>	<b>F10</b>
Ø d <sub>2</sub>	70
Ø d <sub>3</sub>	102
d <sub>4</sub> x h <sub>3</sub>	M10x16
number of bolts	4
h <sub>4</sub>	3
l <sub>3</sub>	25
s	22

Type	number of springs n	spring-torque Ms [Nm]	air torque Ma [Nm] at operating pressure pe [bar]																											
			2 bar		2,5 bar		3 bar		3,5 bar		4 bar		4,5 bar		5 bar		5,5 bar		6 bar		6,5 bar		7 bar		7,5 bar		8 bar			
			MIN	MAX	MIN	MAX	MIN	MAX	MIN	MAX	MIN	MAX	MIN	MAX	MIN	MAX	MIN	MAX	MIN	MAX	MIN	MAX	MIN	MAX	MIN	MAX	MIN	MAX	MIN	MAX
SAD 30	-	-	91		117		144		170		196		223		249		276		302		329		355		380		405			
SAF 30	4	36 59	32	55	58	81	85	108	111	134	137	160	164	187	190	213	217	240	243	266	270	293	296	319	321	344	346	369		
	5	45 74	17	46	43	72	70	99	96	125	122	151	149	178	175	204	202	231	228	257	255	284	281	310	306	335	331	360		
	6	54 89			28	63	55	90	81	116	107	142	134	169	160	195	187	222	213	248	240	275	266	301	291	326	316	351		
	7	62 104			13	55	40	82	66	108	92	134	119	161	145	187	172	214	198	240	225	267	251	293	276	318	301	343		
	8	71 118					26	73	52	99	78	125	105	152	131	178	158	205	184	231	211	258	237	284	262	309	287	334		
	9	80 133					11	64	37	90	63	116	90	143	116	169	143	196	169	222	196	249	222	275	247	300	272	325		
	10	89 148							22	81	48	107	75	134	101	160	128	187	154	213	181	240	207	266	232	291	257	316		
	11	98 163							7	72	33	98	60	125	86	151	113	178	139	204	166	231	192	257	217	282	242	307		
	12	107 178									18	89	45	116	71	142	98	169	124	195	151	222	177	248	202	273	227	298		
	<b>Sonderausführung</b>																													
13	116 194									2	80	29	107	55	133	82	160	108	186	135	213	161	239	186	264	211	289			
14	125 207											16	98	42	124	69	151	95	177	122	204	148	230	173	255	198	280			