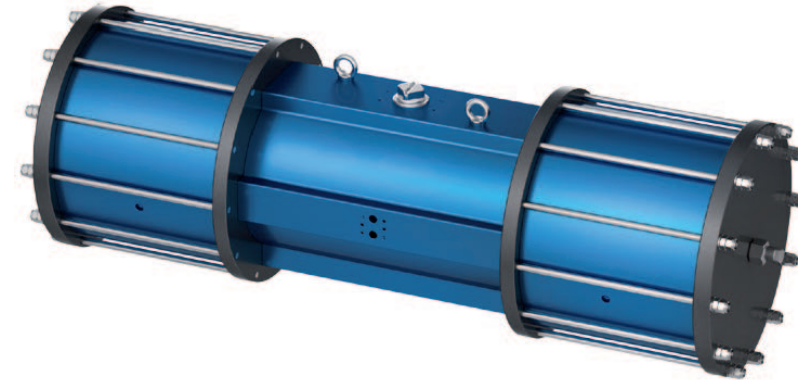


DOUBLE-PISTON QUARTER TURN ACTUATORS

TYPE SADP - M 180°

Technical Data

Design :	Pneumatic double-piston 180° actuator with a 90° middle position
Design features :	Rack-and-pinion system, piston guide via guide rods
Angle of rotation :	Fixed rotation angle 0° to 180° (normal operation) Spring fixed 90° middle position
Air pressure supply :	min. 2 bar, max. 8 bar
Operating medium :	Dry and filtered compressed air
Ambient temperature :	-25°C to +80°C
Mounting position :	any
Resistance to corrosion :	Industrial atmosphere
Lubrication :	Life time lubrication with grease ISO 51825-K2K-30
Seals :	NBR-O-Rings, 70 Shore
Coatings :	Housing anodized and colour sealed End caps - CED Cathodic electrodeposition
Maintenance and inspection :	AMG actuators are free of maintenance within the life time. Provided that: <ul style="list-style-type: none">• the actuator is properly mounted• the operating medium used is clean and non-aggressive• the actuator is operated under normal ambient conditions• the actuator is used in compliance with the intended use (see assembly and maintenance manual)
Applied standard:	DIN EN ISO 5211, DIN EN 15714-3, VDI / VDE 3845, DIN 79



SADF - M 180°

AMG-**PESCH**®

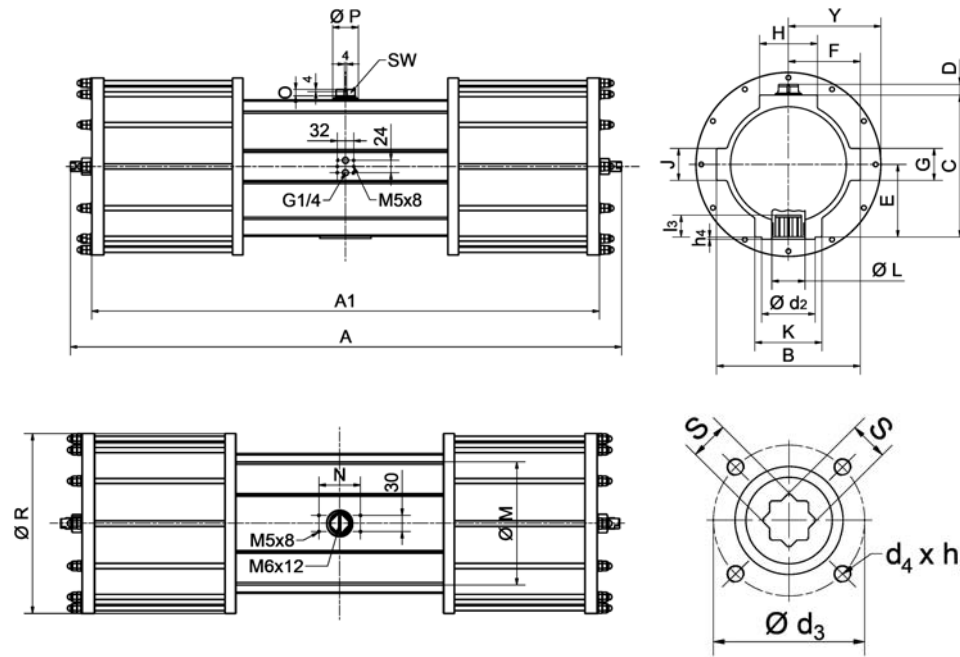


an ERIKS company

AMG-**PESCH** GmbH
Adam-Riese-Straße 1
D - 50996 Köln
Tel.: +49-(0) 22 36 - 89 16 - 0
Fax: +49-(0) 22 36 - 89 16 - 73
info@amg-pesch.com
www.amg-pesch.com

DOUBLE-PISTON QUARTER TURN ACTUATORS
TYPE SADF - M 180°

Size	42
Weight [kg]	
Type SADF - M	178
Stroke volume [dm ³]	
Type SADF - M	54,2
Operating times [sec.] ¹⁾	
Type SADF - M ²⁾ OPEN	9,0
Type SADF - M ²⁾ CLOSE	9,0



1) operating times at 4,5 bar air pressure supply without load (standard values)

2) Type SADF-M with 24 springs

Type	number of springs n	spring-torque		air torque Ma [Nm] at operating pressure pe [bar]																										
		Ms [Nm]		2 bar		2,5 bar		3 bar		3,5 bar		4 bar		4,5 bar		5 bar		5,5 bar		6 bar		6,5 bar		7 bar		7,5 bar		8 bar		
		MIN	MAX	MIN	MAX	MIN	MAX	MIN	MAX	MIN	MAX	MIN	MAX	MIN	MAX	MIN	MAX	MIN	MAX	MIN	MAX	MIN	MAX	MIN	MAX	MIN	MAX	MIN	MAX	
SADF-M 42	-	-	-	536	694	852	1005	1161	1321	1475	1631	1789	1948	2098	2248	2398														
	12	636	1055																											
	14	742	1231																											
	16	848	1408																											
	20	1060	1760																											
	22	1166	1936																											
	24	1272	2112																											
	28	1484	2464																											
	30	1590	2640																											
	32	1696	2816																											

Design	SADF - M
Size	42
A	1323
A1	1185
B	288
C	296
D	20
E	146
F	144
G	60
H	108
K	150
Ø L	80
J	60
Ø M	258
N	80
O	12
Ø P	63
Ø R	380
Y	190
SW	30
Connection ISO 5211	F14
Ø d ₂	100
Ø d ₃	140
d ₄ x h ₃	M16x25
Number of screws	4
h ₄	4
l ₃	40
s	36

AMG-PESCH®



an ERICKS company

AMG-PESCH GmbH
 Adam-Riese-Straße 1
 D - 50996 Köln
 Tel.: +49-(0) 22 36 - 89 16 - 0
 Fax: +49-(0) 22 36 - 89 16 - 73
info@amg-pesch.com
www.amg-pesch.com