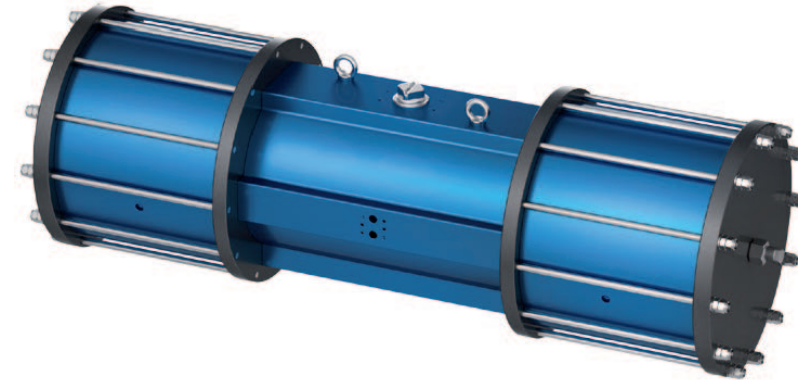


DOUBLE-PISTON QUARTER TURN ACTUATORS

TYPE SADP - M 180°

Technical Data

Design :	Pneumatic double-piston 180° actuator with a 90° middle position
Design features :	Rack-and-pinion system, piston guide via guide rods
Angle of rotation :	Fixed rotation angle 0° to 180° (normal operation) Spring fixed 90° middle position
Air pressure supply :	min. 2 bar, max. 8 bar
Operating medium :	Dry and filtered compressed air
Ambient temperature :	-25°C to +80°C
Mounting position :	any
Resistance to corrosion :	Industrial atmosphere
Lubrication :	Life time lubrication with grease ISO 51825-K2K-30
Seals :	NBR-O-Rings, 70 Shore
Coatings :	Housing anodized and colour sealed End caps - CED Cathodic electrodeposition
Maintenance and inspection :	AMG actuators are free of maintenance within the life time. Provided that: <ul style="list-style-type: none">• the actuator is properly mounted• the operating medium used is clean and non-aggressive• the actuator is operated under normal ambient conditions• the actuator is used in compliance with the intended use (see assembly and maintenance manual)
Applied standard:	DIN EN ISO 5211, DIN EN 15714-3, VDI / VDE 3845, DIN 79



SADF - M 180°

AMG-**PESCH**®

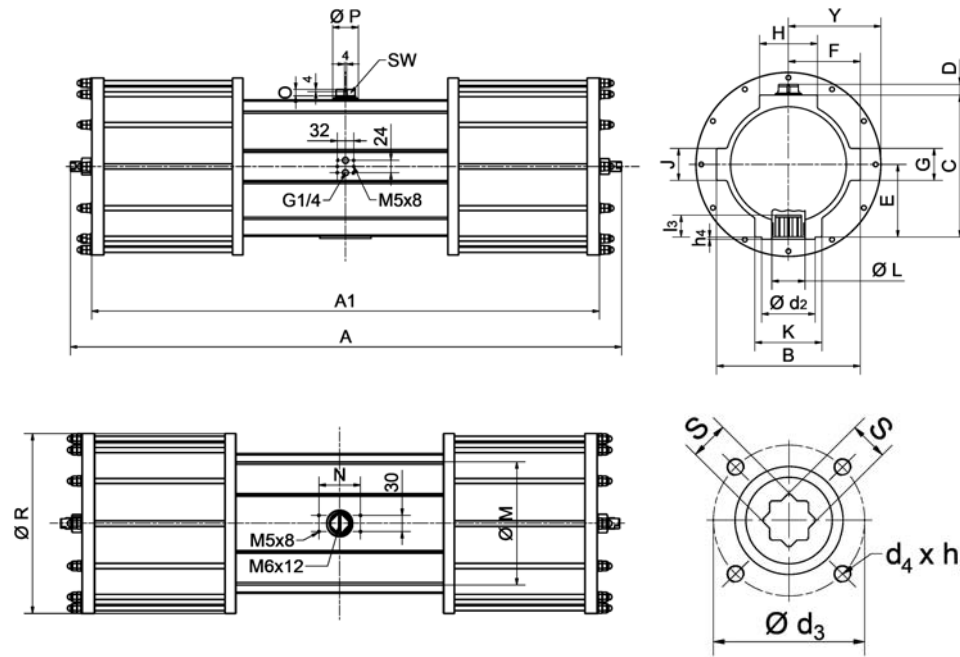


an ERIKS company

AMG-**PESCH** GmbH
Adam-Riese-Straße 1
D - 50996 Köln
Tel.: +49-(0) 22 36 - 89 16 - 0
Fax: +49-(0) 22 36 - 89 16 - 73
info@amg-pesch.com
www.amg-pesch.com

DOUBLE-PISTON QUARTER TURN ACTUATORS
TYPE SADF - M 180°

Size	40
Weight [kg]	
Type SADF - M	140
Stroke volume [dm ³]	
Type SADF - M	34,5
Operating times [sec.] ¹⁾	
Type SADF - M ²⁾ OPEN	5,3
Type SADF - M ²⁾ CLOSE	5,3



1) operating times at 4,5 bar air pressure supply without load (standard values)

2) Type SADF-M with 24 springs

Type	number of springs n	spring-torque Ms [Nm]	air torque Ma [Nm] at operating pressure pe [bar]																									
			2 bar		2,5 bar		3 bar		3,5 bar		4 bar		4,5 bar		5 bar		5,5 bar		6 bar		6,5 bar		7 bar		7,5 bar		8 bar	
			MIN	MAX	MIN	MAX	MIN	MAX	MIN	MAX	MIN	MAX	MIN	MAX	MIN	MAX	MIN	MAX	MIN	MAX	MIN	MAX	MIN	MAX	MIN	MAX	MIN	MAX
SADF-M 40	-	-	336	435	534	629	727	827	924	1022	1121	1220	1314	1408	1502													
	12	398 665																										
	14	465 776																										
	16	528 880																										
	20	660 1100																										
	22	726 1210																										
	24	792 1320																										
	28	924 1540																										
	30	990 1650																										
	34	1122 1870																										
	36	1188 1980																										

Design	SADF - M
Size	40
A	1080
A1	992
B	268
C	266
D	20
E	136
F	134
G	60
H	108
K	125
Ø L	62
J	60
Ø M	236
N	80
O	12
Ø P	50
Ø R	345
Y	173
SW	30
Connection ISO 5211	F14
Ø d ₂	100
Ø d ₃	140
d ₄ x h ₃	M16x25
Number of screws	4
h ₄	4
l ₃	40
s	36

AMG-PESCH®



an ERIKS company

AMG-PESCH GmbH
 Adam -Riese-Straße 1
 D - 50996 Köln
 Tel.: +49-(0) 22 36 - 89 16 - 0
 Fax: +49-(0) 22 36 - 89 16 - 73
info@amg-pesch.com
www.amg-pesch.com