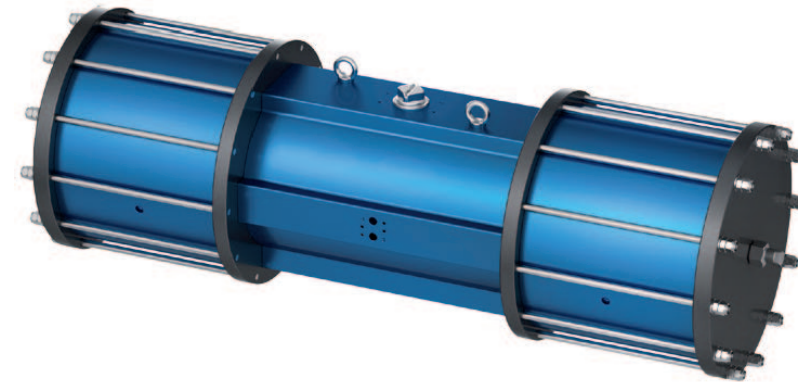


DOUBLE-PISTON QUARTER TURN ACTUATORS

TYPE SADP - M 180°

Technical Data

Design :	Pneumatic double-piston 180° actuator with a 90° middle position
Design features :	Rack-and-pinion system, piston guide via guide rods
Angle of rotation :	Fixed rotation angle 0° to 180° (normal operation) Spring fixed 90° middle position
Air pressure supply :	min. 2 bar, max. 8 bar
Operating medium :	Dry and filtered compressed air
Ambient temperature :	-25°C to +80°C
Mounting position :	any
Resistance to corrosion :	Industrial atmosphere
Lubrication :	Life time lubrication with grease ISO 51825-K2K-30
Seals :	NBR-O-Rings, 70 Shore
Coatings :	Housing anodized and colour sealed End caps - CED Cathodic electrodeposition
Maintenance and inspection :	AMG actuators are free of maintenance within the life time. Provided that: <ul style="list-style-type: none">• the actuator is properly mounted• the operating medium used is clean and non-aggressive• the actuator is operated under normal ambient conditions• the actuator is used in compliance with the intended use (see assembly and maintenance manual)
Applied standard:	DIN EN ISO 5211, DIN EN 15714-3, VDI / VDE 3845, DIN 79



SADP - M 180°

AMG-**PESCH**®

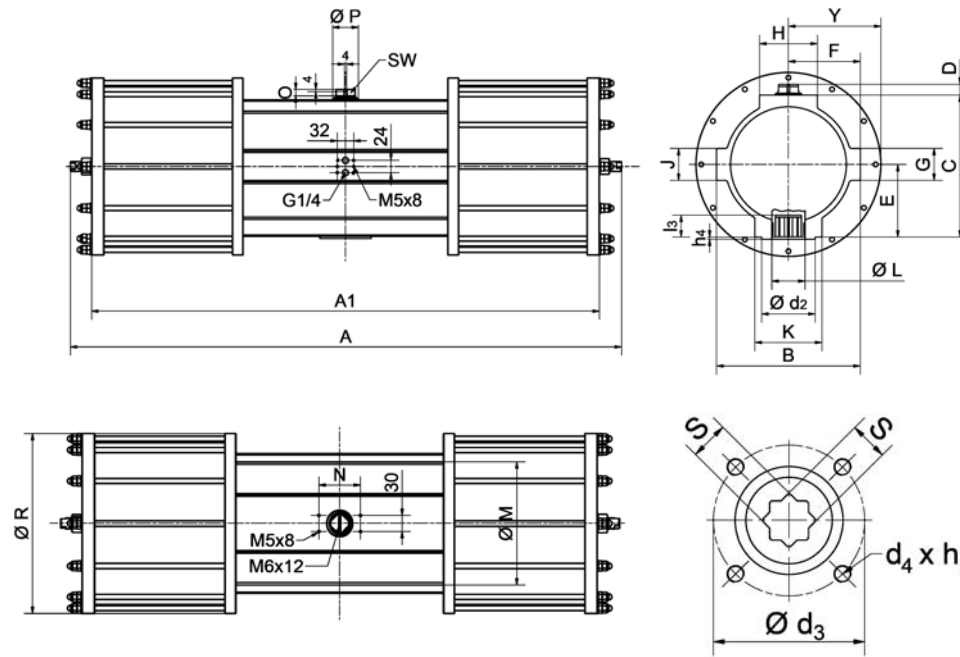


an **ERIKS** company

AMG-**PESCH** GmbH
Adam-Riese-Straße 1
D - 50996 Köln
Tel.: +49-(0) 22 36 - 89 16 - 0
Fax: +49-(0) 22 36 - 89 16 - 73
info@amg-pesch.com
www.amg-pesch.com

DOUBLE-PISTON QUARTER TURN ACTUATORS
TYPE SADF - M 180°

Size	35
Weight [kg]	
Type SADF - M	100
Stroke volume [dm ³]	
Type SADF - M	21,6
Operating times [sec.] ¹⁾	
Type SADF - M ²⁾ OPEN	3,3
Type SADF - M ²⁾ CLOSE	3,3



1) operating times at 4,5 bar air pressure supply without load (standard values)

2) Type SADF-M with 24 springs

Type	number of springs n	spring-torque		air torque Ma [Nm] at operating pressure pe [bar]																										
		Ms [Nm]		2 bar		2,5 bar		3 bar		3,5 bar		4 bar		4,5 bar		5 bar		5,5 bar		6 bar		6,5 bar		7 bar		7,5 bar		8 bar		
		MIN	MAX	MIN	MAX	MIN	MAX	MIN	MAX	MIN	MAX	MIN	MAX	MIN	MAX	MIN	MAX	MIN	MAX	MIN	MAX	MIN	MAX	MIN	MAX	MIN	MAX	MIN	MAX	
SADF-M 35	-	-	-	221	286	350	413	478	543	607	671	736	801	863	925	986														
	12	261	432																											
	14	305	504																											
	16	352	576																											
	20	440	720																											
	22	484	792																											
	24	528	864																											
	28	616	1008																											
	30	660	1080																											
	32	704	1152																											

Design	SADF - M
Size	35
A	1015
A1	929
B	218
C	217
D	20
E	112
F	109
G	50
H	90
K	108
Ø L	62
J	50
Ø M	192
N	80
O	12
Ø P	50
Ø R	300
Y	150
SW	30
Connection ISO 5211	F12
Ø d ₂	85
Ø d ₃	125
d ₄ x h ₃	M12x20
Number of screws	4
h ₄	3
l ₃	30
s	27

AMG-PESCH®



AMG-PESCH GmbH
 Adam-Riese-Straße 1
 D - 50996 Köln
 Tel.: +49-(0) 22 36 - 89 16 - 0
 Fax: +49-(0) 22 36 - 89 16 - 73
info@amg-pesch.com
www.amg-pesch.com