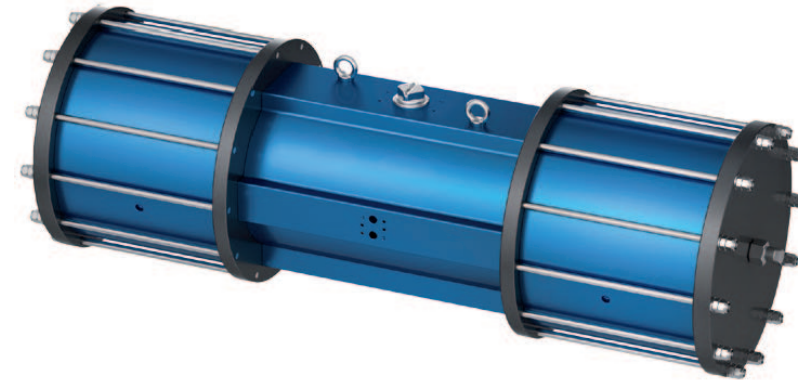


## DOUBLE-PISTON QUARTER TURN ACTUATORS

### TYPE SADP - M 180°

#### Technical Data

<b>Design :</b>	Pneumatic double-piston 180° actuator with a 90° middle position
<b>Design features :</b>	Rack-and-pinion system, piston guide via guide rods
<b>Angle of rotation :</b>	Fixed rotation angle 0° to 180° (normal operation) Spring fixed 90° middle position
<b>Air pressure supply :</b>	min. 2 bar, max. 8 bar
<b>Operating medium :</b>	Dry and filtered compressed air
<b>Ambient temperature :</b>	-25°C to +80°C
<b>Mounting position :</b>	any
<b>Resistance to corrosion :</b>	Industrial atmosphere
<b>Lubrication :</b>	Life time lubrication with grease ISO 51825-K2K-30
<b>Seals :</b>	NBR-O-Rings, 70 Shore
<b>Coatings :</b>	Housing anodized and colour sealed End caps - CED Cathodic electrodeposition
<b>Maintenance and inspection :</b>	AMG actuators are free of maintenance within the life time. Provided that: <ul style="list-style-type: none"><li>• the actuator is properly mounted</li><li>• the operating medium used is clean and non-aggressive</li><li>• the actuator is operated under normal ambient conditions</li><li>• the actuator is used in compliance with the intended use (see assembly and maintenance manual)</li></ul>
<b>Applied standard:</b>	DIN EN ISO 5211, DIN EN 15714-3, VDI / VDE 3845, DIN 79



**SADP - M 180°**

AMG-**PESCH**®

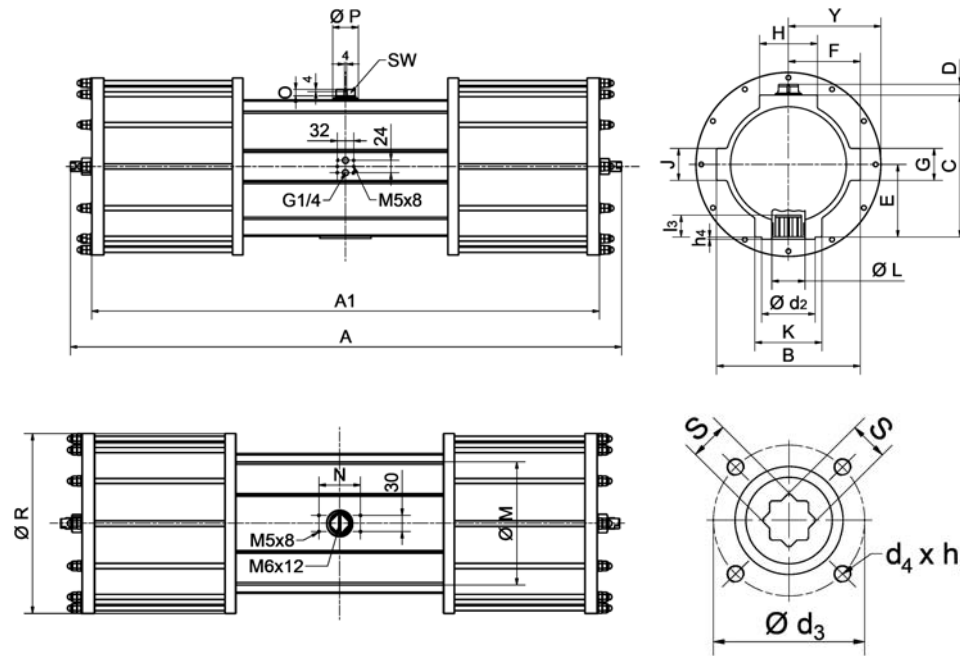


an **ERIKS** company

AMG-**PESCH** GmbH  
Adam-Riese-Straße 1  
D - 50996 Köln  
Tel.: +49-(0) 22 36 - 89 16 - 0  
Fax: +49-(0) 22 36 - 89 16 - 73  
[info@amg-pesch.com](mailto:info@amg-pesch.com)  
[www.amg-pesch.com](http://www.amg-pesch.com)

**DOUBLE-PISTON QUARTER TURN ACTUATORS**  
**TYPE SADF - M 180°**

Size	25
Weight [kg]	
Type SADF - M	42
Stroke volume [dm <sup>3</sup> ]	
Type SADF - M	6,5
Operating times [sec.] <sup>1)</sup>	
Type SADF - M <sup>2)</sup> OPEN	1,5
Type SADF - M <sup>2)</sup> CLOSE	1,5



1) operating times at 4,5 bar air pressure supply without load (standard values)

2) Type SADF-M with 26 springs

Type	number of springs n	spring-torque		air torque Ma [Nm] at operating pressure pe [bar]																										
		Ms [Nm]		2 bar		2,5 bar		3 bar		3,5 bar		4 bar		4,5 bar		5 bar		5,5 bar		6 bar		6,5 bar		7 bar		7,5 bar		8 bar		
		MIN	MAX	MIN	MAX	MIN	MAX	MIN	MAX	MIN	MAX	MIN	MAX	MIN	MAX	MIN	MAX	MIN	MAX	MIN	MAX	MIN	MAX	MIN	MAX	MIN	MAX	MIN	MAX	
SADF-M 25	-	-	-	61	79	98	115	133	151	169	187	205	223	240	257	275														
	12	72	121																											
	14	85	141																											
	16	109	181																											
	20	121	202																											
	22	145	242																											
	24	157	262																											
	28	169	282																											
	32	193	322																											
	34	205	343																											

Design	SADF - M
Size	25
A	741
A1	682
B	154,5
C	159
D	20
E	83
F	78,5
G	50
H	48
K	90
Ø L	38
J	44
Ø M	130
N	80
O	12
Ø P	30
Ø R	229
Y	110
SW	17
Connection ISO 5211	F07
Ø d <sub>2</sub>	55
Ø d <sub>3</sub>	70
d <sub>4</sub> x h <sub>3</sub>	M8x13
Number of screws	4
h <sub>4</sub>	3
l <sub>3</sub>	20
s	17



AMG-PESCH GmbH  
 Adam-Riese-Straße 1  
 D - 50996 Köln  
 Tel.: +49-(0) 22 36 - 89 16 - 0  
 Fax: +49-(0) 22 36 - 89 16 - 73  
[info@amg-pesch.com](mailto:info@amg-pesch.com)  
[www.amg-pesch.com](http://www.amg-pesch.com)