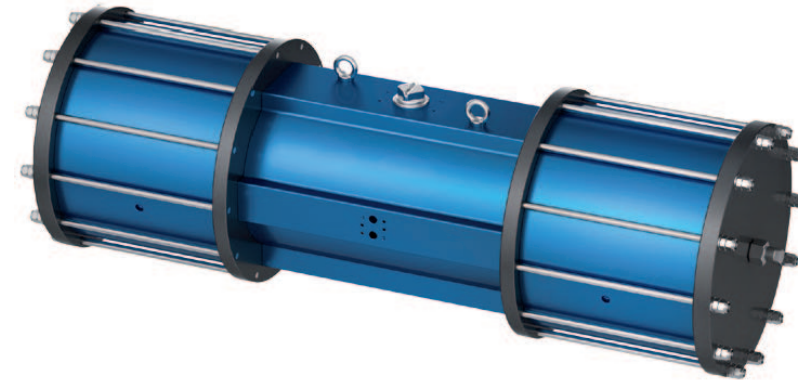


DOUBLE-PISTON QUARTER TURN ACTUATORS

TYPE SADP - M 180°

Technical Data

Design :	Pneumatic double-piston 180° actuator with a 90° middle position
Design features :	Rack-and-pinion system, piston guide via guide rods
Angle of rotation :	Fixed rotation angle 0° to 180° (normal operation) Spring fixed 90° middle position
Air pressure supply :	min. 2 bar, max. 8 bar
Operating medium :	Dry and filtered compressed air
Ambient temperature :	-25°C to +80°C
Mounting position :	any
Resistance to corrosion :	Industrial atmosphere
Lubrication :	Life time lubrication with grease ISO 51825-K2K-30
Seals :	NBR-O-Rings, 70 Shore
Coatings :	Housing anodized and colour sealed End caps - CED Cathodic electrodeposition
Maintenance and inspection :	AMG actuators are free of maintenance within the life time. Provided that: <ul style="list-style-type: none">• the actuator is properly mounted• the operating medium used is clean and non-aggressive• the actuator is operated under normal ambient conditions• the actuator is used in compliance with the intended use (see assembly and maintenance manual)
Applied standard:	DIN EN ISO 5211, DIN EN 15714-3, VDI / VDE 3845, DIN 79



SADF - M 180°

AMG-**PESCH**®

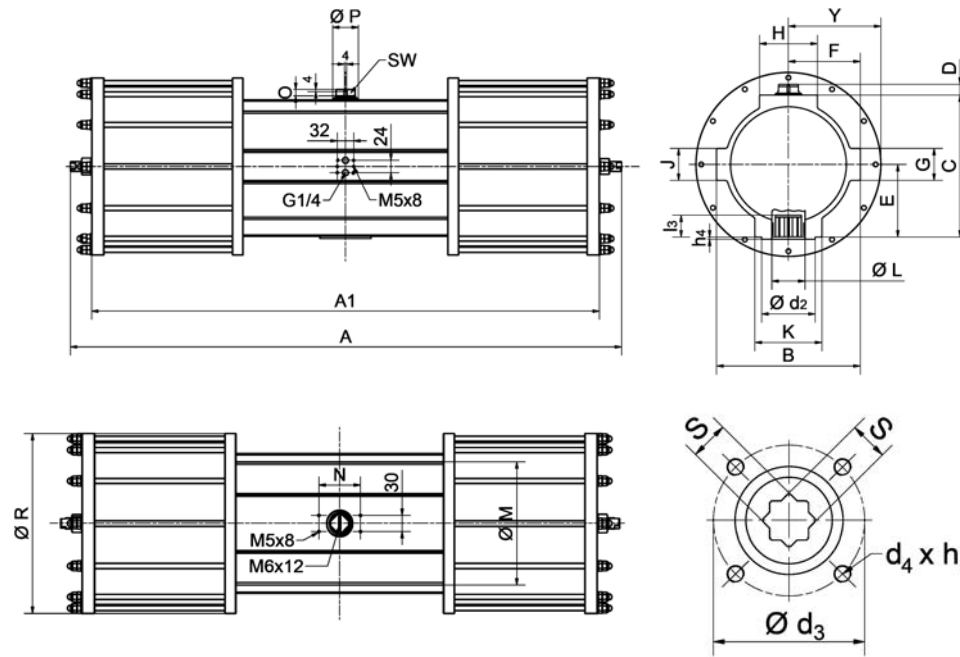


an ERIKS company

AMG-**PESCH** GmbH
Adam-Riese-Straße 1
D - 50996 Köln
Tel.: +49-(0) 22 36 - 89 16 - 0
Fax: +49-(0) 22 36 - 89 16 - 73
info@amg-pesch.com
www.amg-pesch.com

DOUBLE-PISTON QUARTER TURN ACTUATORS
TYPE SADF - M 180°

Size	20
Weight [kg]	
Type SADF - M	25
Stroke volume [dm ³]	
Type SADF - M	3,7
Operating times [sec.] ¹⁾	
Type SADF - M ²⁾ OPEN	1,5
Type SADF - M ²⁾ CLOSE	1,5



1) operating times at 4,5 bar air pressure supply without load (standard values)

2) Type SADF-M with 44 springs

Type	number of springs n	spring-torque		air torque Ma [Nm] at operating pressure pe [bar]																									
		Ms [Nm]		2 bar		2,5 bar		3 bar		3,5 bar		4 bar		4,5 bar		5 bar		5,5 bar		6 bar		6,5 bar		7 bar		7,5 bar		8 bar	
		MIN	MAX	MIN	MAX	MIN	MAX	MIN	MAX	MIN	MAX	MIN	MAX	MIN	MAX	MIN	MAX	MIN	MAX	MIN	MAX	MIN	MAX	MIN	MAX	MIN	MAX	MIN	MAX
SADF-M 20	-	-	-	32	42	51	61	70	80	89	98	108	118	127	136	145													
	18	32,4	52,2																										
	24	43,2	69,6																										
	28	50,4	81,2																										
	34	61,2	98,6																										
	38	68,4	110,2																										
	44	79,2	127,6																										

Design	SADF - M
Size	20
A	532
A1	488
B	134
C	132,5
D	20
E	68,5
F	70
G	50
H	48
K	64
Ø L	35
J	44
Ø M	111
N	80
O	12
Ø P	25
Ø R	190
Y	95
SW	14
Connection ISO 5211	F07
Ø d ₂	55
Ø d ₃	70
d ₄ x h ₃	M8x13
Number of screws	4
h ₄	3
l ₃	20
s	17

AMG-PESCH®



an ERIDES company

AMG-PESCH GmbH
 Adam-Riese-Straße 1
 D - 50996 Köln
 Tel.: +49-(0) 22 36 - 89 16 - 0
 Fax: +49-(0) 22 36 - 89 16 - 73
info@amg-pesch.com
www.amg-pesch.com

SUBJECT TO TECHNICAL MODIFICATION