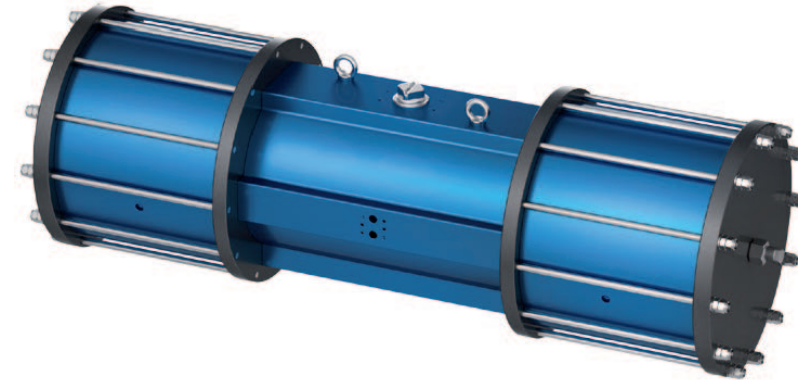


DOUBLE-PISTON QUARTER TURN ACTUATORS

TYPE SADP - M 180°

Technical Data

Design :	Pneumatic double-piston 180° actuator with a 90° middle position
Design features :	Rack-and-pinion system, piston guide via guide rods
Angle of rotation :	Fixed rotation angle 0° to 180° (normal operation) Spring fixed 90° middle position
Air pressure supply :	min. 2 bar, max. 8 bar
Operating medium :	Dry and filtered compressed air
Ambient temperature :	-25°C to +80°C
Mounting position :	any
Resistance to corrosion :	Industrial atmosphere
Lubrication :	Life time lubrication with grease ISO 51825-K2K-30
Seals :	NBR-O-Rings, 70 Shore
Coatings :	Housing anodized and colour sealed End caps - CED Cathodic electrodeposition
Maintenance and inspection :	AMG actuators are free of maintenance within the life time. Provided that: <ul style="list-style-type: none">• the actuator is properly mounted• the operating medium used is clean and non-aggressive• the actuator is operated under normal ambient conditions• the actuator is used in compliance with the intended use (see assembly and maintenance manual)
Applied standard:	DIN EN ISO 5211, DIN EN 15714-3, VDI / VDE 3845, DIN 79



SADP - M 180°

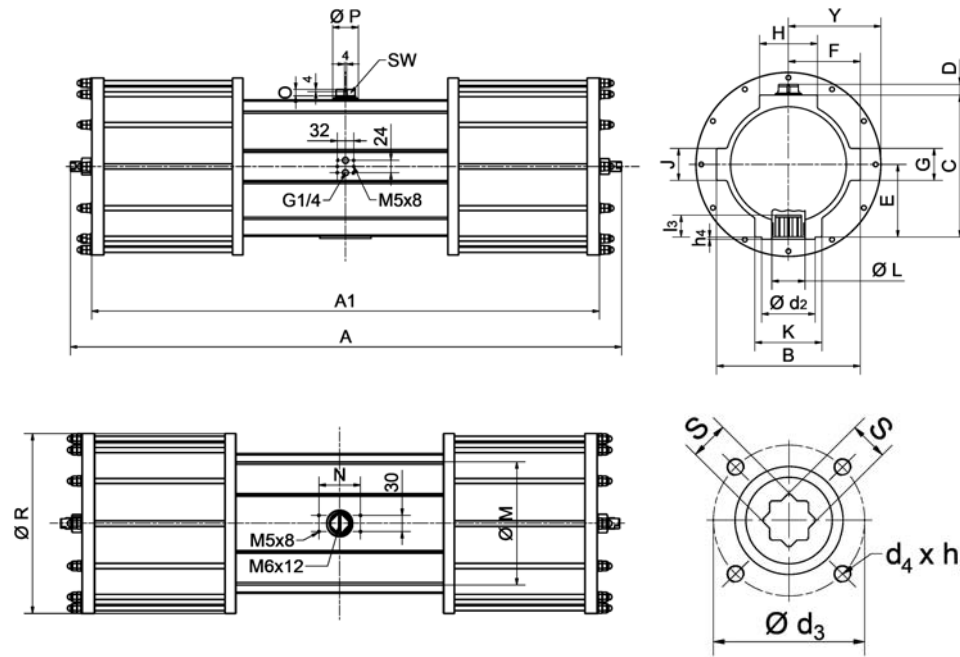
AMG-**PESCH**®



AMG-**PESCH** GmbH
Adam-Riese-Straße 1
D - 50996 Köln
Tel.:+49-(0) 22 36 - 89 16 - 0
Fax:+49-(0) 22 36 - 89 16 - 73
info@amg-pesch.com
www.amg-pesch.com

DOUBLE-PISTON QUARTER TURN ACTUATORS
TYPE SADP - M 180°

Size	15
Weight [kg]	
Type SADP - M	17
Stroke volume [dm ³]	
Type SADP - M	2,5
Operating times [sec.] ¹⁾	
Type SADP - M ²⁾ OPEN	1,0
Type SADP - M ²⁾ CLOSE	1,0



1) operating times at 4,5 bar air pressure supply without load (standard values)

2) Type SADP-M with 24 springs

Type	number of springs n	spring-torque		air torque Ma [Nm] at operating pressure pe [bar]																										
		Ms [Nm]		2 bar		2,5 bar		3 bar		3,5 bar		4 bar		4,5 bar		5 bar		5,5 bar		6 bar		6,5 bar		7 bar		7,5 bar		8 bar		
		MIN	MAX	MIN	MAX	MIN	MAX	MIN	MAX	MIN	MAX	MIN	MAX	MIN	MAX	MIN	MAX	MIN	MAX	MIN	MAX	MIN	MAX	MIN	MAX	MIN	MAX	MIN	MAX	
SADP-M 15	-	-	-	23	29	36	42	49	55	62	68	75	82	88	94	101														
	12	26,5	44,0																											
	14	30,9	51,4																											
	16	35,2	59,2																											
	20	44	74																											
	22	48,4	81,4																											
	24	52,8	88,8																											
	28	61,6	103,6																											
	30	66	111																											
	32	70,4	118,4																											
	36	79,2	133,2																											

Design	SADP - M
Size	15
A	563
A1	507
B	116
C	111
D	20
E	56
F	61
G	50
H	40
K	64
Ø L	28
J	44
Ø M	93
N	80
O	12
Ø P	22
Ø R	158
Y	79
SW	12
Connection ISO 5211	F05
Ø d ₂	35
Ø d ₃	50
d ₄ x h ₃	M6x10
Number of screws	4
h ₄	3
l ₃	16
s	14

AMG-PESCH®



an ERIKS company

AMG-PESCH GmbH
 Adam-Riese-Straße 1
 D - 50996 Köln
 Tel.: +49-(0) 22 36 - 89 16 - 0
 Fax: +49-(0) 22 36 - 89 16 - 73
info@amg-pesch.com
www.amg-pesch.com

SUBJECT TO TECHNICAL MODIFICATION