

## DOUBLE-PISTON QUARTER TURN ACTUATORS

### TYPE SAD - M 180°

#### Technical Data

<b>Design :</b>	Pneumatic double-piston 180° actuator with a 90° middle position
<b>Design features :</b>	Rack-and-pinion system, piston guide via guide rods
<b>Angle of rotation :</b>	Fixed rotation angle 0° to 180° (normal operation) Pneumatic fixed 90° middle position
<b>Air pressure supply :</b>	min. 2 bar, max. 8 bar
<b>Operating medium :</b>	Dry and filtered compressed air
<b>Ambient temperature :</b>	-25°C to +80°C
<b>Mounting position :</b>	any
<b>Resistance to corrosion :</b>	Industrial atmosphere
<b>Lubrication :</b>	Life time lubrication with grease ISO 51825-K2K-30
<b>Seals :</b>	NBR-O-Rings, 70 Shore
<b>Coatings :</b>	Housing anodized and colour sealed End caps - CED Cathodic electrodeposition
<b>Maintenance and inspection :</b>	AMG actuators are free of maintenance within the life time. Provided that: <ul style="list-style-type: none"><li>• the actuator is properly mounted</li><li>• the operating medium used is clean and non-aggressive</li><li>• the actuator is operated under normal ambient conditions</li><li>• the actuator is used in compliance with the intended use (see assembly and maintenance manual)</li></ul>
<b>Applied standard :</b>	DIN EN ISO 5211, DIN EN 15714-3, VDI / VDE 3845, DIN 79



**SAD - M 180°**

AMG-**PESCH**®

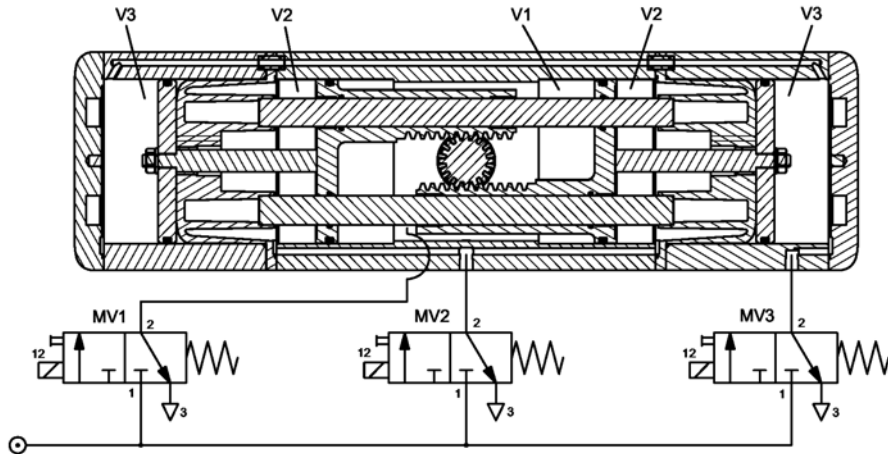


an **ERIKS** company

AMG-**PESCH** GmbH  
Adam-Riese-Straße 1  
D - 50996 Köln  
Tel.: +49-(0) 22 36 - 89 16 - 0  
Fax: +49-(0) 22 36 - 89 16 - 73  
[info@amg-pesch.com](mailto:info@amg-pesch.com)  
[www.amg-pesch.com](http://www.amg-pesch.com)

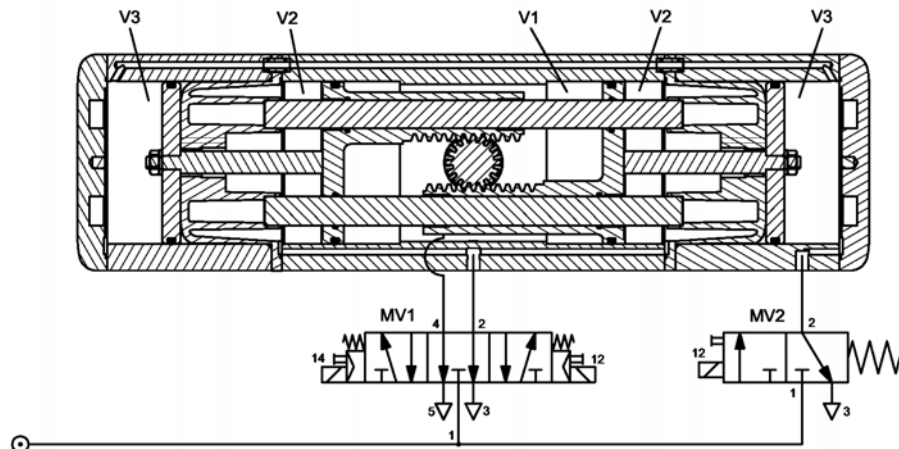
**DOUBLE-PISTON QUARTER TURN ACTUATORS**  
**TYPE SAD - M 180°**

**Control for SAD-M 180° BR03 with 3x 3/2 - way solenoid valve**  
 drawn at 90° center position



switch position from - to	MV1 12	MV2 12	MV3 12
0° - 90°	1	0	1
90° - 180°	1	0	0
180° - 90°	0	0	1
90° - 0°	0	1	1
0° - 180°	1	0	0
180° - 0°	0	1	1

**Control for SAD-M 180° BR03 with 1x 3/2 - way and 1x 5/3 - way solenoid valve**  
 drawn at 90° center position



switch position from - to	MV1		MV2
	14	12	12
0° - 90°	1	0	1
90° - 180°	1	0	0
180° - 90°	0	0	1
90° - 0°	0	1	1
0° - 180°	1	0	0
180° - 0°	0	1	1



