

DOUBLE-PISTON QUARTER TURN ACTUATORS

TYPE SAD - M 180°

Technical Data

Design :	Pneumatic double-piston 180° actuator with a 90° middle position
Design features :	Rack-and-pinion system, piston guide via guide rods
Angle of rotation :	Fixed rotation angle 0° to 180° (normal operation) Pneumatic fixed 90° middle position
Air pressure supply :	min. 2 bar, max. 8 bar
Operating medium :	Dry and filtered compressed air
Ambient temperature :	-25°C to +80°C
Mounting position :	any
Resistance to corrosion :	Industrial atmosphere
Lubrication :	Life time lubrication with grease ISO 51825-K2K-30
Seals :	NBR-O-Rings, 70 Shore
Coatings :	Housing anodized and colour sealed End caps - CED Cathodic electrodeposition
Maintenance and inspection :	AMG actuators are free of maintenance within the life time. Provided that: <ul style="list-style-type: none">• the actuator is properly mounted• the operating medium used is clean and non-aggressive• the actuator is operated under normal ambient conditions• the actuator is used in compliance with the intended use (see assembly and maintenance manual)
Applied standard :	DIN EN ISO 5211, DIN EN 15714-3, VDI / VDE 3845, DIN 79



SAD - M 180°

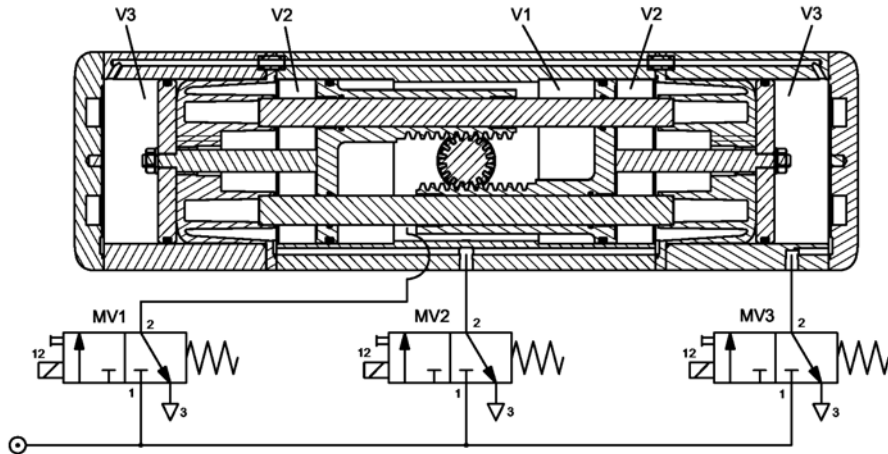
AMG-**PESCH**®



AMG-**PESCH** GmbH
Adam-Riese-Straße 1
D - 50996 Köln
Tel.: +49-(0) 22 36 - 89 16 - 0
Fax: +49-(0) 22 36 - 89 16 - 73
info@amg-pesch.com
www.amg-pesch.com

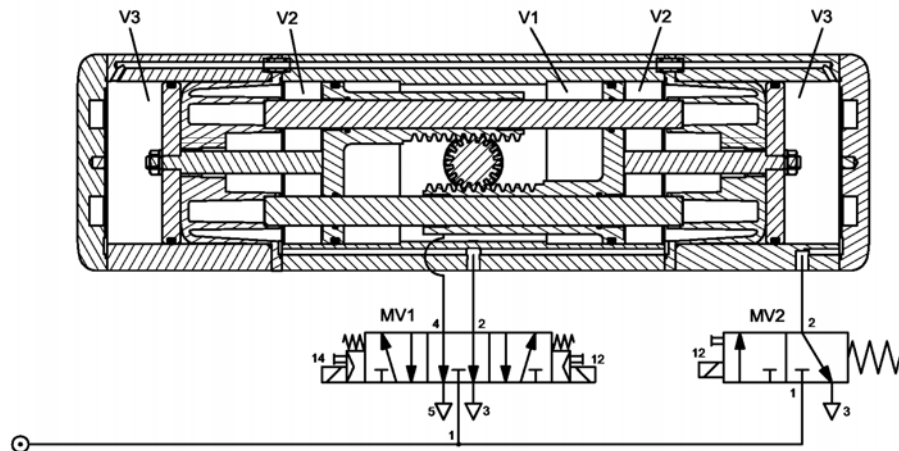
DOUBLE-PISTON QUARTER TURN ACTUATORS
TYPE SAD - M 180°

Control for SAD-M 180° BR03 with 3x 3/2 - way solenoid valve
 drawn at 90° center position



switch position from - to	MV1 12	MV2 12	MV3 12
0° - 90°	1	0	1
90° - 180°	1	0	0
180° - 90°	0	0	1
90° - 0°	0	1	1
0° - 180°	1	0	0
180° - 0°	0	1	1

Control for SAD-M 180° BR03 with 1x 3/2 - way and 1x 5/3 - way solenoid valve
 drawn at 90° center position

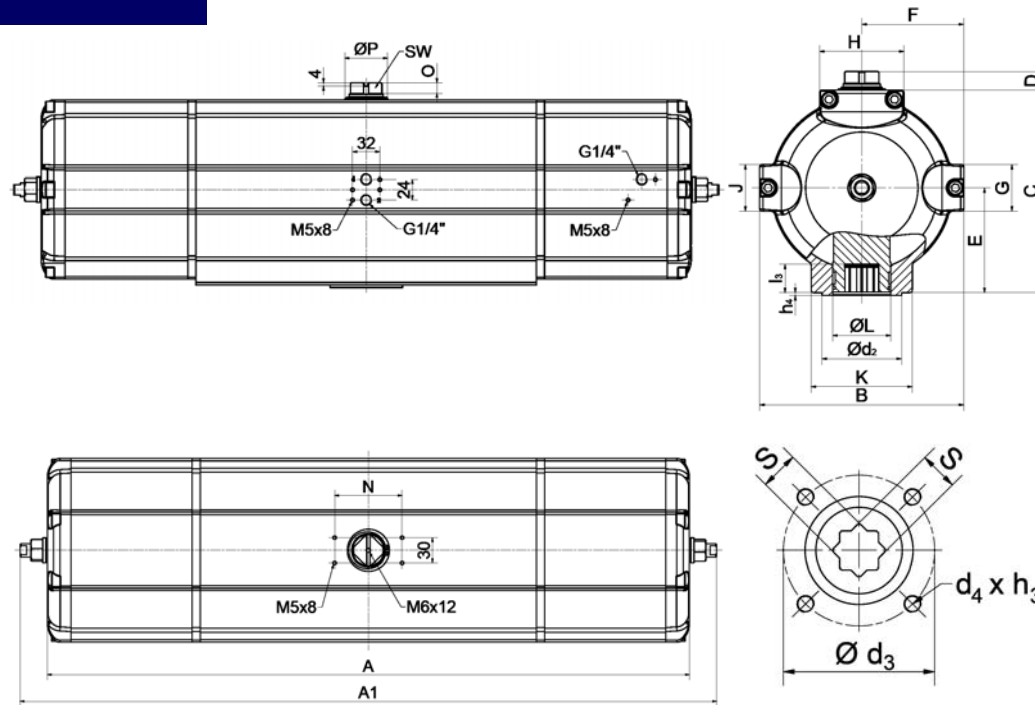


switch position from - to	MV1		MV2
	14	12	12
0° - 90°	1	0	1
90° - 180°	1	0	0
180° - 90°	0	0	1
90° - 0°	0	1	1
0° - 180°	1	0	0
180° - 0°	0	1	1

DOUBLE-PISTON QUARTER TURN ACTUATORS
TYPE SAD - M 180°

Size	15
Weight [kg]	
Type SAD - M	7,3
Stroke volume [dm ³]	
Type SAD - M	1,6
Operating times [sec.] ¹⁾	
Type SAD - M OPEN	0,5
Type SAD - M CLOSE	0,5

1) operating times at 4,5 bar air pressure supply without load (standard values)



Design	SAD - M
Size	15
A	407
A1	447
B	116
C	111
D	20
E	56
F	61
G	50
H	40
K	64
Ø L	28
J	44
Ø M	93
N	80
O	12
Ø P	22
SW	12
Connection ISO 5211	F05
Ø d ₂	35
Ø d ₃	50
d ₄ x h ₃	M6x10
Number of screws	4
h ₄	3
l ₃	16
s	14

Type	number of springs n	spring-torque Ms [Nm]	air torque Ma [Nm] at operating pressure pe [bar]																									
			2 bar		2,5 bar		3 bar		3,5 bar		4 bar		4,5 bar		5 bar		5,5 bar		6 bar		6,5 bar		7 bar		7,5 bar		8 bar	
			MIN	MAX	MIN	MAX	MIN	MAX	MIN	MAX	MIN	MAX	MIN	MAX	MIN	MAX	MIN	MAX	MIN	MAX	MIN	MAX	MIN	MAX	MIN	MAX	MIN	MAX
SAD-M 15	-	-	23	29	36	42	49	55	62	68	75	82	88	94	101													



AMG-PESCH GmbH
 Adam-Riese-Straße 1
 D - 50996 Köln
 Tel.: +49-(0) 22 36 - 89 16 - 0
 Fax: +49-(0) 22 36 - 89 16 - 73
info@amg-pesch.com
www.amg-pesch.com