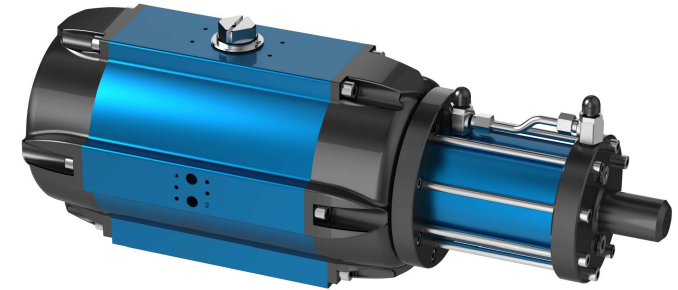


DOUBLE-PISTON QUARTER TURN ACTUATORS

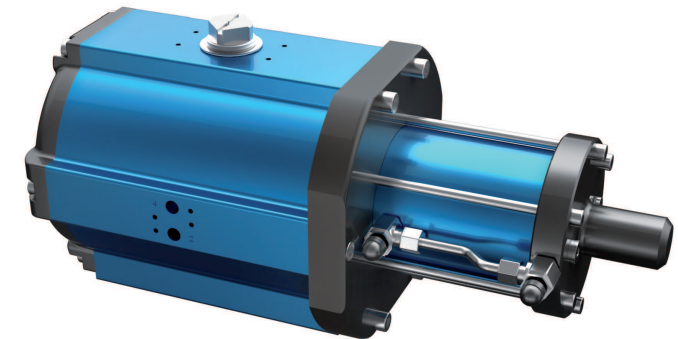
TYPE SAD-HD / SAF-HD 90°

Technical Data

Design :	Pneumatic double-piston quarter turn actuator with hydraulic damping
Design features :	Rack-and-pinion system, piston guide via guide rods Adjustable operating times to avoid pressure impacts in the piping system Operating time independent from working pressure
Angle of rotation :	0°-90°, also available in 135°
Air pressure supply :	mind. 2 bar, max. 8 bar
Operating medium :	Dry and filtered compressed air
Ambient temperature :	-25°C to +80°C
Mounting position :	any
Resistance to corrosion :	Industrial atmosphere
Lubrication :	Life time lubrication with grease ISO 51825-K2K-30
Seals :	NBR-O-Rings, 70 Shore
Coatings :	Housing anodized and colour sealed End caps - CED Cathodic electrodeposition
Maintenance and inspection :	AMG actuators are free of maintenance within the life time. Provided that: <ul style="list-style-type: none">• the actuator is properly mounted• the operating medium used is clean and non-aggressive• the actuator is operated under normal ambient conditions• the actuator is used in compliance with the intended use (see assembly and maintenance manual)
Applied standard:	DIN EN ISO 5211, DIN EN 15714-3, VDI / VDE 3845, DIN 79



SAF-HD



SAD-HD

AMG-PESCH®



an ERIKS company

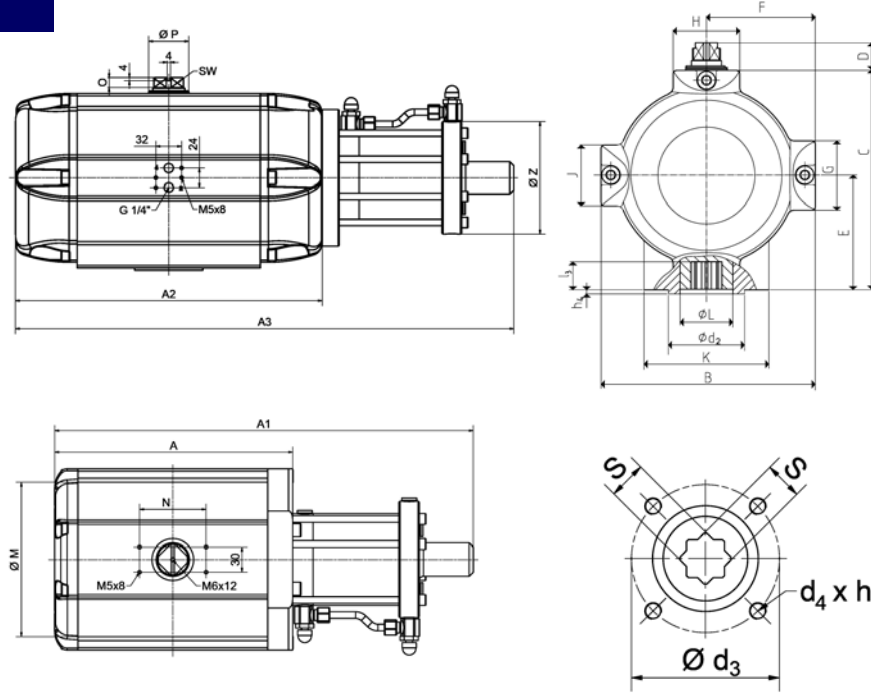
AMG-PESCH GmbH
Adam-Riese-Straße 1
D - 50996 Köln
Tel.: +49-(0) 22 36 - 89 16 - 0
Fax: +49-(0) 22 36 - 89 16 - 73
info@amg-pesch.com
www.amg-pesch.com

DOUBLE-PISTON QUARTER TURN ACTUATORS
TYPE SAD-HD / SAF-HD 90°

Size	42
Weight [kg]	
Type SAD-HD	45
Type SAF-HD	56
Stroke volume [dm ³]	
Type SAD-HD	16,4
Type SAF-HD	9,5
Operating times [sec.] ¹⁾	
Type SAD-HD OPEN	6
Type SAD-HD CLOSE	7
Type SAF-HD ²⁾ OPEN	8
Type SAF-HD ²⁾ CLOSE	5

1) operating times at 4,5 bar air pressure supply without load (standard values)

2) Type SAF-HD with 9 springs



Type	number of springs n	spring-torque Ms [Nm]	air torque Ma [Nm] at operating pressure pe [bar]																											
			2 bar		2,5 bar		3 bar		3,5 bar		4 bar		4,5 bar		5 bar		5,5 bar		6 bar		6,5 bar		7 bar		7,5 bar		8 bar			
			MIN	MAX	MIN	MAX	MIN	MAX	MIN	MAX	MIN	MAX	MIN	MAX	MIN	MAX	MIN	MAX	MIN	MAX	MIN	MAX	MIN	MAX	MIN	MAX	MIN	MAX	MIN	MAX
SAD-HD 42	-	-	536		694		852		1005		1161		1321		1475		1631		1789		1948		2098		2248		2398			
SAF-HD 42	4	212 352	184 324	342 482	500 640	653 793	809 949	969 1109	1123 1263	1279 1419	1437 1577	1596 1736	1746 1886	1896 2036	2046 2186															
	5	265 440	96 271	254 429	412 587	565 740	721 896	881 1056	1035 1210	1191 1366	1349 1524	1508 1683	1658 1833	1808 1983	1958 2133															
	6	318 528	8 218	166 376	324 534	477 687	633 843	793 1003	947 1157	1103 1313	1261 1471	1420 1630	1570 1780	1720 1930	1870 2080															
	7	371 615		79 323	237 481	390 634	546 790	706 950	860 1104	1016 1260	1174 1418	1333 1577	1483 1727	1633 1877	1783 2027															
	8	424 703			149 428	302 581	458 737	618 897	772 1051	928 1207	1086 1365	1245 1524	1395 1674	1545 1824	1695 1974															
	9	477 791			61 375	214 528	370 684	530 844	684 998	840 1154	998 1312	1157 1471	1307 1621	1457 1771	1607 1921															
	10	530 879				126 475	282 631	442 791	596 945	752 1101	910 1259	1069 1418	1219 1568	1369 1718	1519 1868															
	11	583 967				38 422	194 578	354 738	508 892	664 1048	822 1206	981 1365	1131 1515	1281 1665	1431 1815															
12	636 1055					106 525	266 685	420 839	576 995	734 1153	893 1312	1043 1462	1193 1612	1343 1762																

Design	SAD-HD / SAF-HD
Size	42
A / A1 (double-acting)	354 / 629
A2 / A3 (single-acting)	558 / 798
B	288
C	296
D	20
E	146
F	144
G	60
H	108
K	150
Ø L	80
J	60
Ø M	258
N	80
O	12
Ø P	63
Ø Z	140
SW	30
Connection ISO 5211	F14
Ø d ₂	100
Ø d ₃	140
d ₄ x h ₃	M16x25
Number of screws	4
h ₄	4
l ₃	40
s	36

AMG-PESCH®



an ERIKS company

AMG-PESCH GmbH
 Adam-Riese-Straße 1
 D - 50996 Köln
 Tel.: +49-(0) 22 36 - 89 16 - 0
 Fax: +49-(0) 22 36 - 89 16 - 73
info@amg-pesch.com
www.amg-pesch.com