

DOUBLE-PISTON QUARTER TURN ACTUATORS

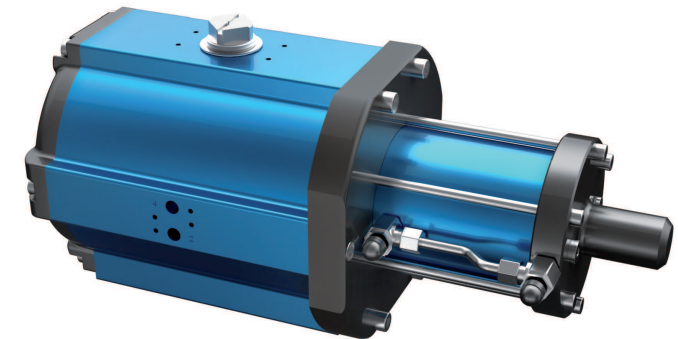
TYPE SAD-HD / SAF-HD 90°

Technical Data

Design :	Pneumatic double-piston quarter turn actuator with hydraulic damping
Design features :	Rack-and-pinion system, piston guide via guide rods Adjustable operating times to avoid pressure impacts in the piping system Operating time independent from working pressure
Angle of rotation :	0°-90°, also available in 135°
Air pressure supply :	mind. 2 bar, max. 8 bar
Operating medium :	Dry and filtered compressed air
Ambient temperature :	-25°C to +80°C
Mounting position :	any
Resistance to corrosion :	Industrial atmosphere
Lubrication :	Life time lubrication with grease ISO 51825-K2K-30
Seals :	NBR-O-Rings, 70 Shore
Coatings :	Housing anodized and colour sealed End caps - CED Cathodic electrodeposition
Maintenance and inspection :	AMG actuators are free of maintenance within the life time. Provided that: <ul style="list-style-type: none">• the actuator is properly mounted• the operating medium used is clean and non-aggressive• the actuator is operated under normal ambient conditions• the actuator is used in compliance with the intended use (see assembly and maintenance manual)
Applied standard:	DIN EN ISO 5211, DIN EN 15714-3, VDI / VDE 3845, DIN 79



SAF-HD



SAD-HD

AMG-PESCH®



an ERIKS company

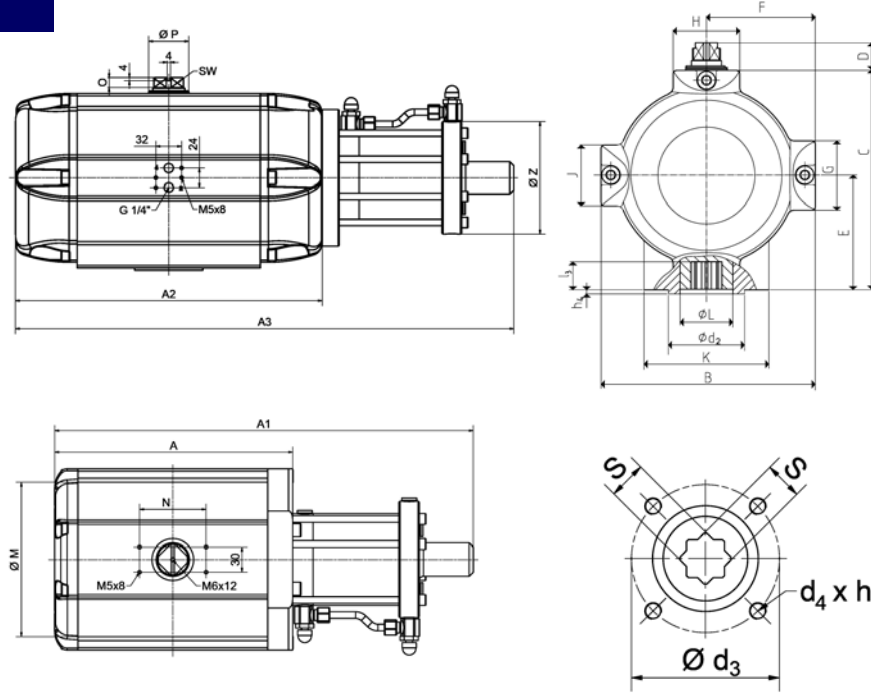
AMG-PESCH GmbH
Adam-Riese-Straße 1
D - 50996 Köln
Tel.: +49-(0) 22 36 - 89 16 - 0
Fax: +49-(0) 22 36 - 89 16 - 73
info@amg-pesch.com
www.amg-pesch.com

DOUBLE-PISTON QUARTER TURN ACTUATORS
TYPE SAD-HD / SAF-HD 90°

Size	30
Weight [kg]	
Type SAD-HD	16,0
Type SAF-HD	17,0
Stroke volume [dm ³]	
Type SAD-HD	2,8
Type SAF-HD	1,5
Operating times [sec.] ¹⁾	
Type SAD-HD OPEN	2
Type SAD-HD CLOSE	2
Type SAF-HD ²⁾ OPEN	2
Type SAF-HD ²⁾ CLOSE	2

1) operating times at 4,5 bar air pressure supply without load (standard values)

2) Type SAF-HD with 9 springs



Type	number of springs n	spring-torque		air torque Ma [Nm] at operating pressure pe [bar]																											
		Ms [Nm]		2 bar		2,5 bar		3 bar		3,5 bar		4 bar		4,5 bar		5 bar		5,5 bar		6 bar		6,5 bar		7 bar		7,5 bar		8 bar			
		MIN	MAX	MIN	MAX	MIN	MAX	MIN	MAX	MIN	MAX	MIN	MAX	MIN	MAX	MIN	MAX	MIN	MAX	MIN	MAX	MIN	MAX	MIN	MAX	MIN	MAX	MIN	MAX		
SAD-HD 30	-	-	-	91	117	144	170	196	223	249	276	302	329	355	380	405															
SAF-HD 30	4	36	59	32	55	58	81	85	108	111	134	137	160	164	187	190	213	217	240	243	266	270	293	296	319	321	344	346	369		
	5	45	74	17	46	43	72	70	99	96	125	122	151	149	178	175	204	202	231	228	257	255	284	281	310	306	335	331	360		
	6	54	89			28	63	55	90	81	116	107	142	134	169	160	195	187	222	213	248	240	275	266	301	291	326	316	351		
	7	62	104			13	55	40	82	66	108	92	134	119	161	145	187	172	214	198	240	225	267	251	293	276	318	301	343		
	8	71	118					26	73	52	99	78	125	105	152	131	178	158	205	184	231	211	258	237	284	262	309	287	334		
	9	80	133					11	64	37	90	63	116	90	143	116	169	143	196	169	222	196	249	222	275	247	300	272	325		
	10	89	148							22	81	48	107	75	134	101	160	128	187	154	213	181	240	207	266	232	291	257	316		
	11	98	163							7	72	33	98	60	125	86	151	113	178	139	204	166	231	192	257	217	282	242	307		
	12	107	178									18	89	45	116	71	142	98	169	124	195	151	222	177	248	202	273	227	298		

Design	SAD-HD / SAF-HD
Size	30
A / A1 (double-acting)	232 / 430
A2 / A3 (single-acting)	346 / 565
B	174
C	174
D	20
E	89
F	87
G	50
H	64
K	90
Ø L	47
J	50
Ø M	145
N	80
O	12
Ø P	36
Ø Z	100
SW	17
Connection ISO 5211	F10
Ø d ₂	70
Ø d ₃	102
d ₄ x h ₃	M10x16
Number of screws	4
h ₄	3
l ₃	25
s	22

AMG-PESCH®



AMG-PESCH GmbH
 Adam-Riese-Straße 1
 D - 50996 Köln
 Tel.: +49-(0) 22 36 - 89 16 - 0
 Fax: +49-(0) 22 36 - 89 16 - 73
info@amg-pesch.com
www.amg-pesch.com