

Technical Data

Design :	Pneumatic double-piston quarter turn actuator
Design features :	Rack-and-pinion system, piston guide via guide rods
Angle of rotation :	0°-90°
Air pressure supply :	mind. 2 bar, max. 10 bar
Operating medium :	Dry and filtered compressed air
Ambient temperature :	-25°C to +80°C
Mounting position :	any
Resistance to corrosion :	Industrial atmosphere
Lubrication :	Life time lubrication with grease ISO 51825-K2K-30
Seals :	NBR-O-Rings, 70 Shore
Coatings :	Housing anodized and colour sealed End caps - CED cathodic electrodeposition
Maintenance and inspection :	AMG actuators are free of maintenance within the life time. Provided that: <ul style="list-style-type: none"> • the actuator is properly mounted • the operating medium used is clean and non-aggressive • the actuator is operated under normal ambient conditions • the actuator is used in compliance with the intended use (see assembly and maintenance manual)
Applied standard:	DIN EN ISO 5211, DIN EN 15714-3, VDI / VDE 3845, DIN 79
Options:	Extended angle of rotation 120°, 135°, 180° Adjustable inner / outer travel stops up to +/- 5° via travel-stop-module (BR03C-DE) Ambient temperature up to +100°C (BR03C-HT Version) Ambient temperature down to -40°C (BR03C-TT Version) Sealing elements made of FKM (viton) or alternatively fluorosilicone Tailor made mounting kits and dimensioning acc. To customer requirements Variable cycle times (fast / slow) Variable sens of rotation (clockwise / counterclockwise) Coating options: Hard-Coat, chemical nickelplating, plastic coating, special lacquer

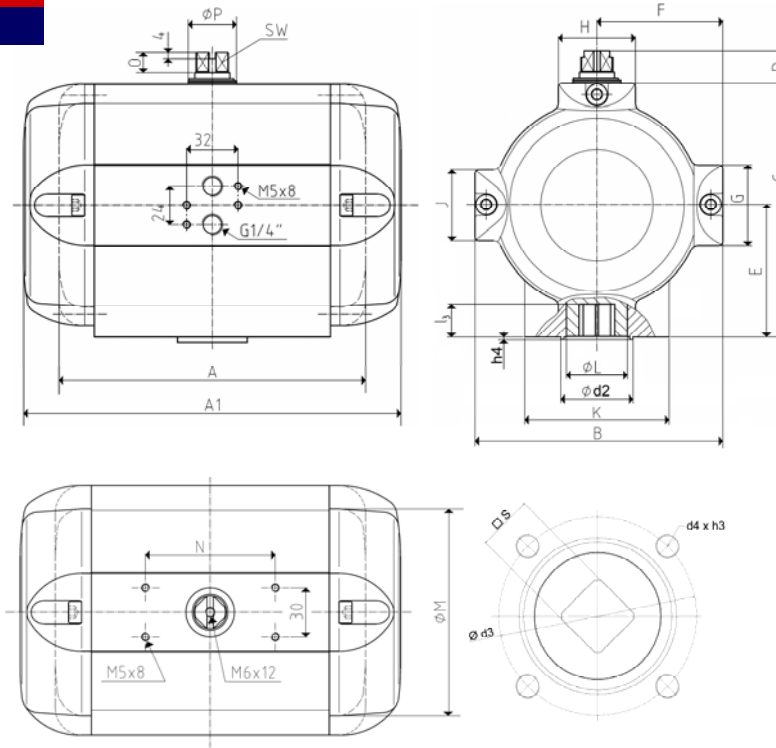

SAF

SAD

Size	35	
Weight [kg]		
Type SAD	18,5	
Type SAF	26,0	
Stroke volume [dm³]		
Type SAD	6,8	
Type SAF	3,9	
Operating times [sec.] ¹⁾		
Type SAD OPEN	1,0	
Type SAD CLOSE	1,0	
Type SAF ²⁾ OPEN	2,0	
Type SAF ²⁾ CLOSE	1,0	

1) operating times at 4,5 bar air pressure supply without load (standard values)

2) Type SAF with 9 springs



Design	SAD / SAF
Size	35
A (double-acting)	284
A1 (single-acting)	382
B	218
C	217
D	20
E	112
F	109
G	50
H	90
K	108
Ø L	62
J	50
Ø M	192
N	80
O	12
Ø P	50
SW	30
Connection ISO 5211	F12
Ø d ₂	85
Ø d ₃	125
d ₄ x h ₃	M12x20
number of bolts	4
h ₄	3
l ₃	30
s	27

Type	number of springs n	spring-torque Ms [Nm]	air torque Ma [Nm] at operating pressure pe [bar]																											
			2 bar		2,5 bar		3 bar		3,5 bar		4 bar		4,5 bar		5 bar		5,5 bar		6 bar		6,5 bar		7 bar		7,5 bar		8 bar			
			MIN	MAX	MIN	MAX	MIN	MAX	MIN	MAX	MIN	MAX	MIN	MAX	MIN	MAX	MIN	MAX	MIN	MAX	MIN	MAX	MIN	MAX	MIN	MAX	MIN	MAX	MIN	MAX
SAD 35	-	-	221		286		350		413		478		543		607		671		736		801		863		925		986			
SAF 35	4	87 144	77 134	142 199	206 263	269 326	334 391	399 456	463 520	527 584	592 649	657 714	719 776	781 838	842 899															
	5	109 180	41 112	106 177	170 241	233 304	298 369	363 434	427 498	491 562	556 627	621 692	683 754	745 816	806 877															
	6	131 216	5 90	70 155	134 219	197 282	262 347	327 412	391 476	455 540	520 605	585 670	647 732	709 794	770 855															
	7	152 252		34 134	98 198	161 261	226 326	291 391	355 455	419 519	484 584	549 649	611 711	673 773	734 834															
	8	174 288			62 176	125 239	190 304	255 369	319 433	383 497	448 562	513 627	575 689	637 751	698 812															
	9	196 324			26 154	89 217	154 282	219 347	283 411	347 475	412 540	477 605	539 667	601 729	662 790															
	10	218 360				53 195	118 260	183 325	247 389	311 453	376 518	441 583	503 645	565 707	626 768															
	11	239 396				17 174	82 239	147 304	211 368	275 432	340 497	405 562	467 624	529 686	590 747															
	12	261 432					46 217	111 282	175 346	239 410	304 475	369 540	431 602	493 664	554 725															
	Sonderausführung																													
13	283 472					6 195	71 260	135 324	199 388	264 453	329 518	391 580	453 642	514 703																
14	305 504							39 238	103 302	167 366	232 431	297 496	359 558	421 620	482 681															