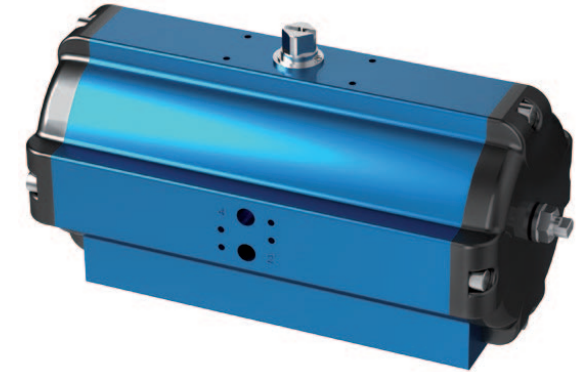


## DOUBLE-PISTON QUARTER TURN ACTUATORS

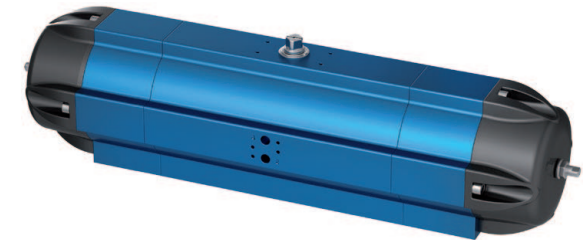
### TYPE SAD / SAF 180°

#### Technical Data

<b>Design :</b>	Pneumatic double-piston quarter turn actuator
<b>Design features :</b>	Rack-and-pinion system, piston guide via guide rods
<b>Angle of rotation :</b>	0°-180°, with adjustable end position 180° -5° / +3°
<b>Air pressure supply :</b>	mind. 2 bar, max. 8 bar
<b>Operating medium :</b>	Dry and filtered compressed air
<b>Ambient temperature :</b>	-25°C to +80°C
<b>Mounting position :</b>	any
<b>Resistance to corrosion :</b>	Industrial atmosphere
<b>Lubrication :</b>	Life time lubrication with grease ISO 51825-K2K-30
<b>Seals :</b>	NBR-O-Rings, 70 Shore
<b>Coatings :</b>	Housing anodized and colour sealed End caps - CED Cathodic electrodeposition
<b>Maintenance and inspection :</b>	AMG actuators are free of maintenance within the life time. Provided that: <ul style="list-style-type: none"><li>• the actuator is properly mounted</li><li>• the operating medium used is clean and non-aggressive</li><li>• the actuator is operated under normal ambient conditions</li><li>• the actuator is used in compliance with the intended use (see assembly and maintenance manual)</li></ul>
<b>Applied standard:</b>	DIN EN ISO 5211, DIN EN 15714-3, VDI / VDE 3845, DIN 79



**SAD - 180°**



**SAF - 180°**

AMG-PESCH®



an ERIKS company

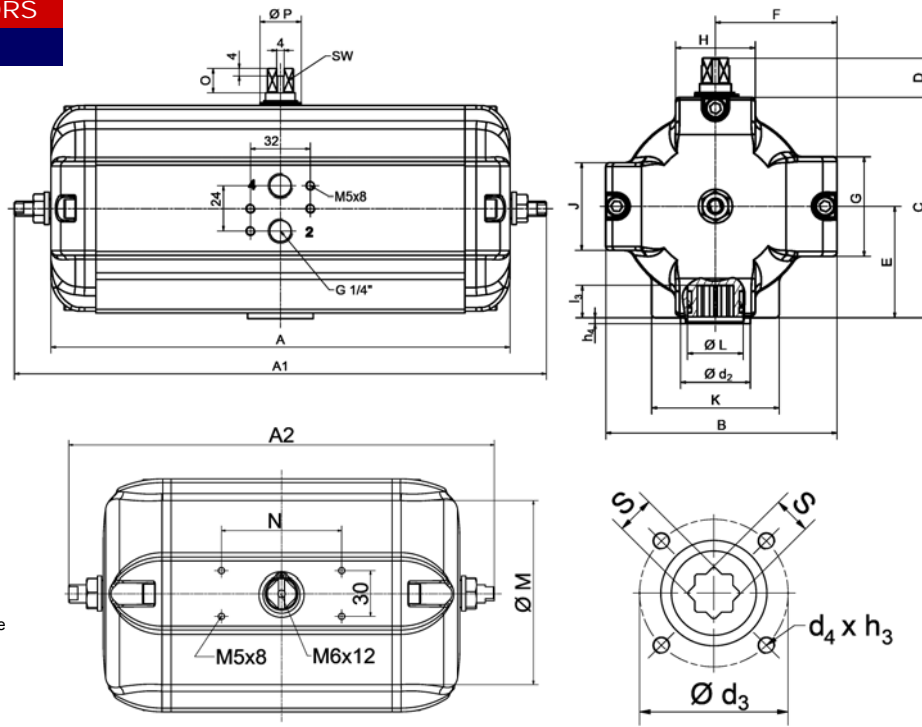
AMG-PESCH GmbH  
Adam-Riese-Straße 1  
D - 50996 Köln  
Tel.: +49-(0) 22 36 - 89 16 - 0  
Fax: +49-(0) 22 36 - 89 16 - 73  
[info@amg-pesch.com](mailto:info@amg-pesch.com)  
[www.amg-pesch.com](http://www.amg-pesch.com)

**DOUBLE-PISTON QUARTER TURN ACTUATORS**  
**TYPE SAD / SAF 180°**

Size	35	
Weight [kg]		
Type SAD	27,7	
Type SAF	39,6	
Stroke volume [dm³]		
Type SAD	13,5	
Type SAF	8,1	
Operating times [sec.] <sup>1)</sup>		
Type SAD OPEN	2,2	
Type SAD CLOSE	2,2	
Type SAF <sup>2)</sup> OPEN	2,5	
Type SAF <sup>2)</sup> CLOSE	1,2	

1) operating times at 4,5 bar air pressure supply without load (standard values)

2) Type SAF with 18 springs



Design	SAD / SAF
Size	35
A / A1 (double-acting)	455 / 492
A2 (single-acting)	790
B	218
C	217
D	20
E	112
F	109
G	50
H	90
K	108
Ø L	62
J	50
Ø M	192
N	80
O	12
Ø P	50
SW	30
Connection ISO 5211	F12
Ø d <sub>2</sub>	85
Ø d <sub>3</sub>	125
d <sub>4</sub> x h <sub>3</sub>	M12x20
Number of screws	4
h <sub>4</sub>	3
l <sub>3</sub>	30
s	27

Type	number of springs n	spring-torque Ms [Nm]		air torque Ma [Nm] at operating pressure pe [bar]																											
				2 bar		2,5 bar		3 bar		3,5 bar		4 bar		4,5 bar		5 bar		5,5 bar		6 bar		6,5 bar		7 bar		7,5 bar		8 bar			
		MIN	MAX	MIN	MAX	MIN	MAX	MIN	MAX	MIN	MAX	MIN	MAX	MIN	MAX	MIN	MAX	MIN	MAX	MIN	MAX	MIN	MAX	MIN	MAX	MIN	MAX	MIN	MAX		
SAD 35	-	-	-	221		286		350		413		478		543		607		671		736		801		863		925		986			
SAF 35	8	87	144	77	134	142	199	206	263	269	326	334	391	399	456	463	520	527	584	592	649	657	714	719	776	781	838	842	899		
	10	109	180	41	112	106	177	170	241	233	304	298	369	363	434	427	498	491	562	556	627	621	692	683	754	745	816	806	877		
	12	131	216	5	90	70	155	134	219	197	282	262	347	327	412	391	476	455	540	520	605	585	670	647	732	709	794	770	855		
	14	152	252			34	134	98	198	161	261	226	326	291	391	355	455	419	519	484	584	549	649	611	711	673	773	734	834		
	16	174	288					62	176	125	239	190	304	255	369	319	433	383	497	448	562	513	627	575	689	637	751	698	812		
	18	196	324					26	154	89	217	154	282	219	347	283	411	347	475	412	540	477	605	539	667	601	729	662	790		
	20	218	360							53	195	118	260	183	325	247	389	311	453	376	518	441	583	503	645	565	707	626	768		
	22	239	396							17	174	82	239	147	304	211	368	275	432	340	497	405	562	467	624	529	686	590	747		
24	261	432									46	217	111	282	175	346	239	410	304	475	369	540	431	602	493	664	554	725			

AMG-PESCH®



an ERIS company

AMG-PESCH GmbH  
 Adam-Riese-Straße 1  
 D - 50996 Köln  
 Tel.: +49-(0) 22 36 - 89 16 - 0  
 Fax: +49-(0) 22 36 - 89 16 - 73  
[info@amg-pesch.com](mailto:info@amg-pesch.com)  
[www.amg-pesch.com](http://www.amg-pesch.com)