

DOUBLE-PISTON QUARTER TURN ACTUATORS

TYPE SAD 135°

Technical Data

Design :	Pneumatic double-piston quarter turn actuator
Design features :	Rack-and-pinion system, piston guide via guide rods
Angle of rotation :	0°-135°
Air pressure supply :	mind. 2 bar, max. 8 bar
Operating medium :	Dry and filtered compressed air
Ambient temperature :	-25°C to +80°C
Mounting position :	any
Resistance to corrosion :	Industrial atmosphere
Lubrication :	Life time lubrication with grease ISO 51825-K2K-30
Seals :	NBR-O-Rings, 70 Shore
Coatings :	Housing anodized and colour sealed End caps - CED Cathodic electrodeposition
Maintenance and inspection :	AMG actuators are free of maintenance within the life time. Provided that: <ul style="list-style-type: none">• the actuator is properly mounted• the operating medium used is clean and non-aggressive• the actuator is operated under normal ambient conditions• the actuator is used in compliance with the intended use (see assembly and maintenance manual)
Applied standard :	DIN EN ISO 5211, DIN EN 15714-3, VDI / VDE 3845, DIN 79



SAD - 135°

AMG-**PESCH**®

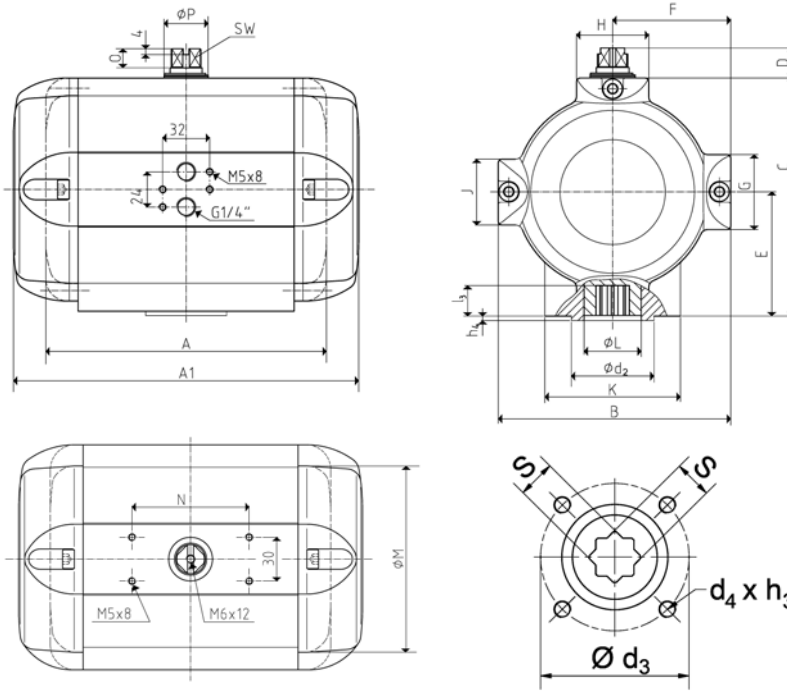


AMG-**PESCH** GmbH
Adam-Riese-Straße 1
D - 50996 Köln
Tel.: +49-(0) 22 36 - 89 16 - 0
Fax: +49-(0) 22 36 - 89 16 - 73
info@amg-pesch.com
www.amg-pesch.com

DOUBLE-PISTON QUARTER TURN ACTUATORS
TYPE SAD 135°

Size	45	
Weight [kg]		
Type SAD	90,0	
Stroke volume [dm ³]		
Type SAD	42,1	
Operating times [sec.] ¹⁾		
Type SAD	OPEN	6,0
Type SAD	CLOSE	6,0

1) operating times at 4,5 bar air pressure supply without load (standard values)



Design	SAD
Size	45
A	635
A1	-
B	330
C	337
D	30
E	175
F	165
G	84
H	125
K	150
Ø L	106
J	84
Ø M	292
N	130
O	18
Ø P	90
SW	46
Connection ISO 5211	F16
Ø d ₂	130
Ø d ₃	165
d ₄ x h ₃	M20x32
Number of screws	4
h ₄	5
l ₃	50
s	46

Type	number of springs n	spring-torque Ms [Nm]	air torque Ma [Nm] at operating pressure pe [bar]																											
			2 bar		2,5 bar		3 bar		3,5 bar		4 bar		4,5 bar		5 bar		5,5 bar		6 bar		6,5 bar		7 bar		7,5 bar		8 bar			
			MIN	MAX	MIN	MAX	MIN	MAX	MIN	MAX	MIN	MAX	MIN	MAX	MIN	MAX	MIN	MAX	MIN	MAX	MIN	MAX	MIN	MAX	MIN	MAX	MIN	MAX		
SAD 45	-	-	893	1156	1419	1674	1934	2199	2457	2717	2980	3245	3495	3744	3994															



AMG-PESCH GmbH
 Adam-Riese-Straße 1
 D - 50996 Köln
 Tel.: +49-(0) 22 36 - 89 16 - 0
 Fax: +49-(0) 22 36 - 89 16 - 73
info@amg-pesch.com
www.amg-pesch.com