

DOUBLE-PISTON QUARTER TURN ACTUATORS

TYPE SAD 135°

Technical Data

Design :	Pneumatic double-piston quarter turn actuator
Design features :	Rack-and-pinion system, piston guide via guide rods
Angle of rotation :	0°-135°
Air pressure supply :	mind. 2 bar, max. 8 bar
Operating medium :	Dry and filtered compressed air
Ambient temperature :	-25°C to +80°C
Mounting position :	any
Resistance to corrosion :	Industrial atmosphere
Lubrication :	Life time lubrication with grease ISO 51825-K2K-30
Seals :	NBR-O-Rings, 70 Shore
Coatings :	Housing anodized and colour sealed End caps - CED Cathodic electrodeposition
Maintenance and inspection :	AMG actuators are free of maintenance within the life time. Provided that: <ul style="list-style-type: none">• the actuator is properly mounted• the operating medium used is clean and non-aggressive• the actuator is operated under normal ambient conditions• the actuator is used in compliance with the intended use (see assembly and maintenance manual)
Applied standard :	DIN EN ISO 5211, DIN EN 15714-3, VDI / VDE 3845, DIN 79



SAD - 135°

AMG-**PESCH**®

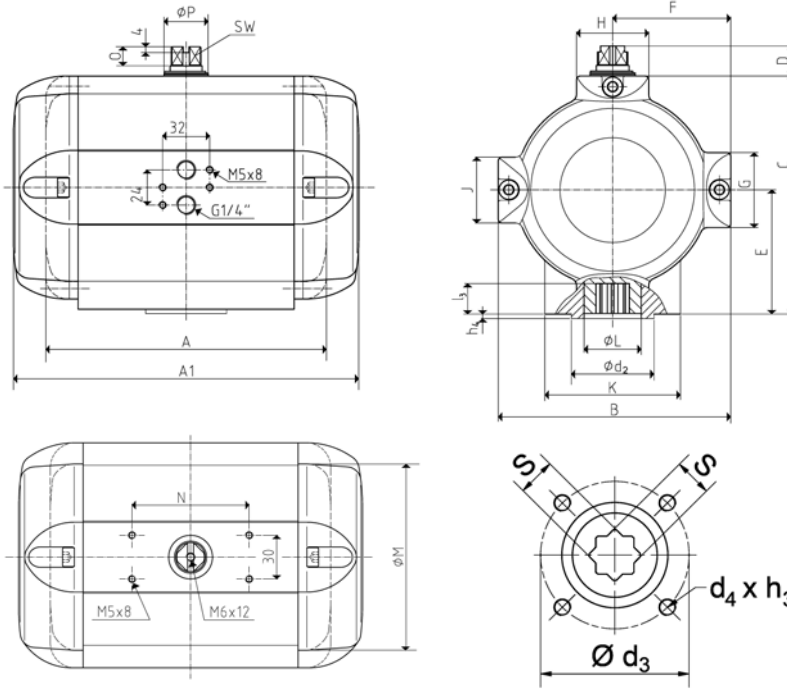


AMG-**PESCH** GmbH
Adam-Riese-Straße 1
D - 50996 Köln
Tel.: +49-(0) 22 36 - 89 16 - 0
Fax: +49-(0) 22 36 - 89 16 - 73
info@amg-pesch.com
www.amg-pesch.com

DOUBLE-PISTON QUARTER TURN ACTUATORS
TYPE SAD 135°

Size	42	
Weight [kg]		
Type SAD	49,7	
Stroke volume [dm ³]		
Type SAD	25,3	
Operating times [sec.] ¹⁾		
Type SAD	OPEN	3,8
Type SAD	CLOSE	3,8

1) operating times at 4,5 bar air pressure supply without load (standard values)



Design	SAD
Size	42
A	494
A1	-
B	288
C	296
D	20
E	146
F	144
G	60
H	108
K	150
Ø L	80
J	60
Ø M	258
N	80
O	12
Ø P	63
SW	30
Connection ISO 5211	F14
Ø d ₂	100
Ø d ₃	140
d ₄ x h ₃	M16x25
Number of screws	4
h ₄	4
l ₃	40
s	36

Type	number of springs n	spring-torque		air torque Ma [Nm] at operating pressure pe [bar]																											
		Ms [Nm]		2 bar		2,5 bar		3 bar		3,5 bar		4 bar		4,5 bar		5 bar		5,5 bar		6 bar		6,5 bar		7 bar		7,5 bar		8 bar			
		MIN	MAX	MIN	MAX	MIN	MAX	MIN	MAX	MIN	MAX	MIN	MAX	MIN	MAX	MIN	MAX	MIN	MAX	MIN	MAX	MIN	MAX	MIN	MAX	MIN	MAX	MIN	MAX		
SAD 42	-	-	-	536	694	852	1005	1161	1321	1475	1631	1789	1948	2098	2248	2398															



AMG-PESCH GmbH
 Adam-Riese-Straße 1
 D - 50996 Köln
 Tel.: +49-(0) 22 36 - 89 16 - 0
 Fax: +49-(0) 22 36 - 89 16 - 73
info@amg-pesch.com
www.amg-pesch.com