

## DOUBLE-PISTON QUARTER TURN ACTUATORS

### TYPE SAD 135°

#### Technical Data

<b>Design :</b>	Pneumatic double-piston quarter turn actuator
<b>Design features :</b>	Rack-and-pinion system, piston guide via guide rods
<b>Angle of rotation :</b>	0°-135°
<b>Air pressure supply :</b>	mind. 2 bar, max. 8 bar
<b>Operating medium :</b>	Dry and filtered compressed air
<b>Ambient temperature :</b>	-25°C to +80°C
<b>Mounting position :</b>	any
<b>Resistance to corrosion :</b>	Industrial atmosphere
<b>Lubrication :</b>	Life time lubrication with grease ISO 51825-K2K-30
<b>Seals :</b>	NBR-O-Rings, 70 Shore
<b>Coatings :</b>	Housing anodized and colour sealed End caps - CED Cathodic electrodeposition
<b>Maintenance and inspection :</b>	AMG actuators are free of maintenance within the life time. Provided that: <ul style="list-style-type: none"><li>• the actuator is properly mounted</li><li>• the operating medium used is clean and non-aggressive</li><li>• the actuator is operated under normal ambient conditions</li><li>• the actuator is used in compliance with the intended use (see assembly and maintenance manual)</li></ul>
<b>Applied standard :</b>	DIN EN ISO 5211, DIN EN 15714-3, VDI / VDE 3845, DIN 79



**SAD - 135°**

AMG-**PESCH**®

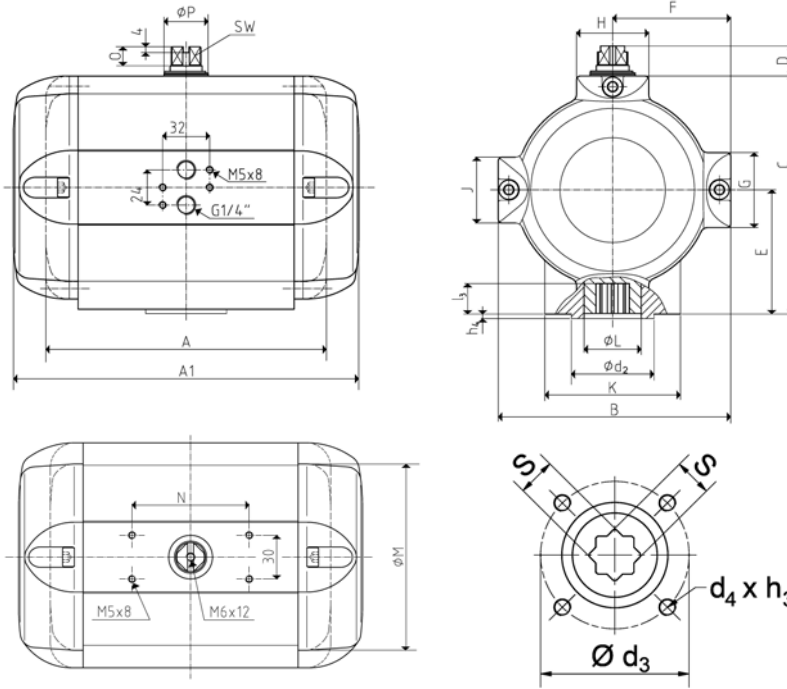


AMG-**PESCH** GmbH  
Adam-Riese-Straße 1  
D - 50996 Köln  
Tel.: +49-(0) 22 36 - 89 16 - 0  
Fax: +49-(0) 22 36 - 89 16 - 73  
[info@amg-pesch.com](mailto:info@amg-pesch.com)  
[www.amg-pesch.com](http://www.amg-pesch.com)

**DOUBLE-PISTON QUARTER TURN ACTUATORS**  
**TYPE SAD 135°**

Size	35	
Weight [kg]		
Type SAD	24,2	
Stroke volume [dm <sup>3</sup> ]		
Type SAD	10,4	
Operating times [sec.] <sup>1)</sup>		
Type SAD	OPEN	1,5
Type SAD	CLOSE	1,5

1) operating times at 4,5 bar air pressure supply without load (standard values)



Design	SAD
Size	35
A	374
A1	-
B	218
C	217
D	20
E	112
F	109
G	50
H	90
K	108
Ø L	62
J	50
Ø M	192
N	80
O	12
Ø P	50
SW	30
Connection ISO 5211	F12
Ø d <sub>2</sub>	85
Ø d <sub>3</sub>	125
d <sub>4</sub> x h <sub>3</sub>	M12x20
Number of screws	4
h <sub>4</sub>	3
l <sub>3</sub>	30
s	27

Type	number of springs n	spring-torque Ms [Nm]	air torque Ma [Nm] at operating pressure pe [bar]																											
			2 bar		2,5 bar		3 bar		3,5 bar		4 bar		4,5 bar		5 bar		5,5 bar		6 bar		6,5 bar		7 bar		7,5 bar		8 bar			
			MIN	MAX	MIN	MAX	MIN	MAX	MIN	MAX	MIN	MAX	MIN	MAX	MIN	MAX	MIN	MAX	MIN	MAX	MIN	MAX	MIN	MAX	MIN	MAX	MIN	MAX		
SAD 35	-	-	221	286	350	413	478	543	607	671	736	801	863	925	986															



AMG-PESCH GmbH  
 Adam-Riese-Straße 1  
 D - 50996 Köln  
 Tel.: +49-(0) 22 36 - 89 16 - 0  
 Fax: +49-(0) 22 36 - 89 16 - 73  
[info@amg-pesch.com](mailto:info@amg-pesch.com)  
[www.amg-pesch.com](http://www.amg-pesch.com)