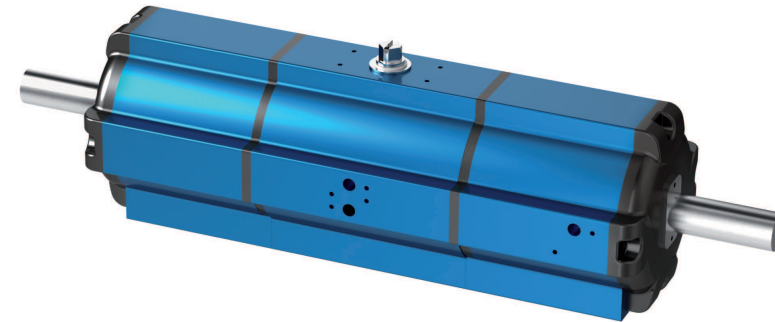


DOUBLE-PISTON QUARTER TURN ACTUATORS

TYPE DAD / DAF 90°

Technical Data

Design :	Pneumatic double-piston quarter turn actuator with dosing mode
Design features :	Rack-and-pinion system, piston guide via guide rods
Angle of rotation :	Fixed rotation angle 0° to 90° (normal operation) Adjustable at any position between 0° and 90° (dosing mode) Also suitable for Partial Stroke application
Air pressure supply :	mind. 2 bar, max. 8 bar
Operating medium :	Dry and filtered compressed air
Ambient temperature :	-25°C to +80°C
Mounting position :	any
Resistance to corrosion :	Industrial atmosphere
Lubrication :	Life time lubrication with grease ISO 51825-K2K-30
Seals :	NBR-O-Rings, 70 Shore
Coatings :	Housing anodized and colour sealed End caps - CED Cathodic electrodeposition
Maintenance and inspection :	AMG actuators are free of maintenance within the life time. Provided that: <ul style="list-style-type: none">• the actuator is properly mounted• the operating medium used is clean and non-aggressive• the actuator is operated under normal ambient conditions• the actuator is used in compliance with the intended use (see assembly and maintenance manual)
Applied standard :	DIN EN ISO 5211, DIN EN 15714-3, VDI / VDE 3845, DIN 79

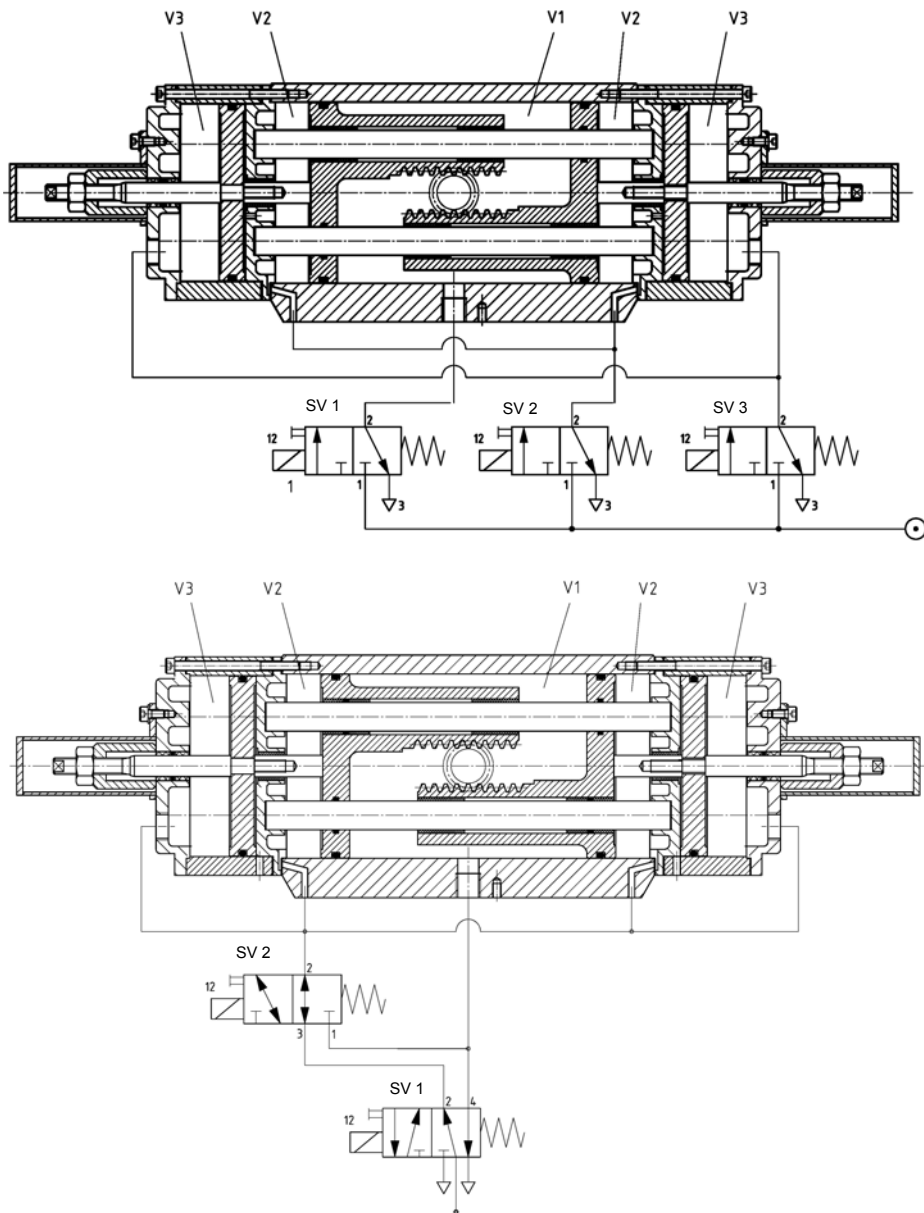


DAD / DAF



AMG-PESCH GmbH
Adam-Riese-Straße 1
D - 50996 Köln
Tel.: +49-(0) 22 36 - 89 16 - 0
Fax: +49-(0) 22 36 - 89 16 - 73
info@amg-pesch.com
www.amg-pesch.com

DOUBLE-PISTON QUARTER TURN ACTUATORS
TYPE DAD / DAF 90°



DAD (3x 3/2 Way)	SV 1	SV 2	SV 3
	12	12	12
0° - Intremediate position	1	0	1
Intremediate position - 90°	1	0	0
90° - Intremediate position	0	0	1
Intremediate position - 0°	0	1	1
0° - 90°	1	0	0
90° - 0°	0	1	1

DAD (1x 3/2 & 1x 5/2 Way)	SV 1	SV 2
	12	12
0° - Intremediate position	1	0
Intremediate position - 90°	1	0
90° - Intremediate position	0	0
Intremediate position - 0°	0	1
0° - 90°	1	0
90° - 0°	0	1

(SV 2 switchen after SV 1)

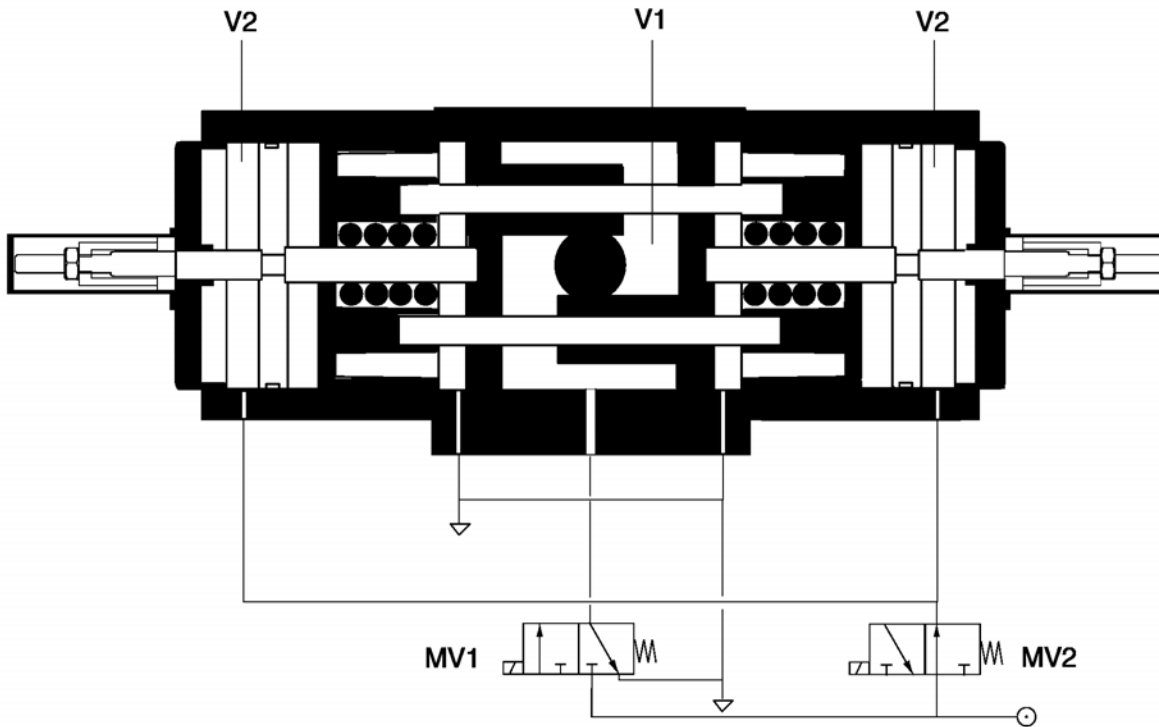
AMG-PESCH®



an ERINS company

AMG-PESCH GmbH
 Adam-Riese-Straße 1
 D - 50996 Köln
 Tel.: +49-(0) 22 36 - 89 16 - 0
 Fax: +49-(0) 22 36 - 89 16 - 73
info@amg-pesch.com
www.amg-pesch.com

DOUBLE-PISTON QUARTER TURN ACTUATORS
TYPE DAD / DAF 90°



DAF

The mechanism is actuated using two 3/2 directional valves.

Coarse pulse: MV I switches to Position 1 and aerates V₁. MV II remains in Position 1 and de-aerates V₂. The inner piston opens the fitting by 90° in a counter-clockwise direction.

Fine pulse: MV II switches to Position 1 and aerates V₂. V₁ remains aerated. With the support of spring forces, outer pistons move the inner pistons against the aerated V₁ chamber until the completely reproducible, fixed middle position, which is set using the outer adjusting nuts, has been reached. The fitting is closed in a clockwise direction until it reaches the middle position.

Blocking pulse: MV I and MV II switch to Position 0. V₁ and V₂ are de-aerated. The released spring forces close the fitting.

Note: If V₂ is not de-aerated, it can be moved between the "CLOSED" and "Dosing" positions.

AMG-PESCH®

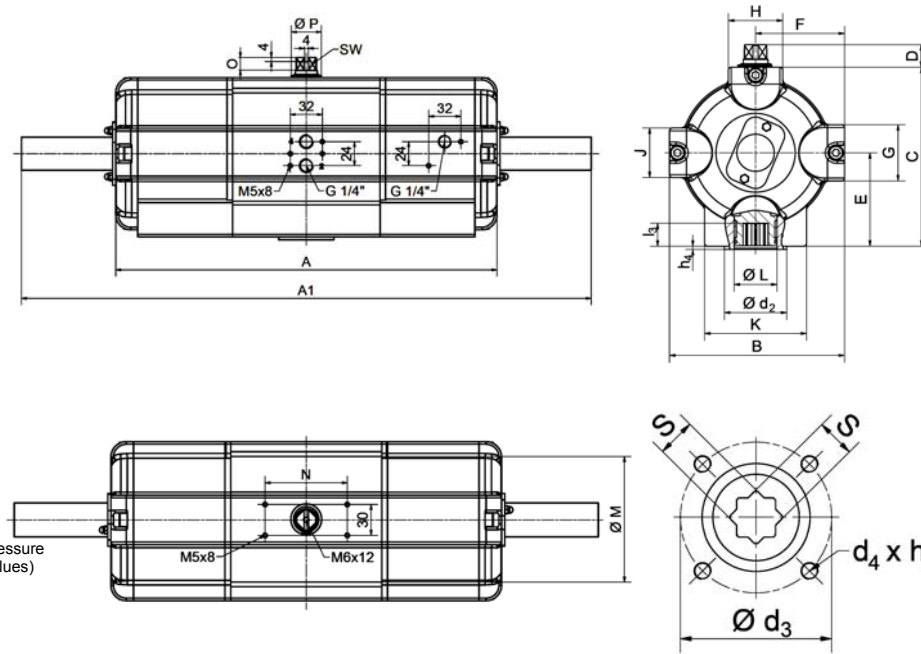


an ERINS company

AMG-PESCH GmbH
 Adam-Riese-Straße 1
 D - 50996 Köln
 Tel.: +49-(0) 22 36 - 89 16 - 0
 Fax: +49-(0) 22 36 - 89 16 - 73
info@amg-pesch.com
www.amg-pesch.com

DOUBLE-PISTON QUARTER TURN ACTUATORS
TYPE DAD / DAF 90°

Size	25	
Weight [kg]		
Type DAD	9,5	
Type DAF	12,0	
Stroke volume [dm³]		
Type DAD	2,0	
Type DAF	1,0	
Operating times [sec.] ¹⁾		
Type DAD OPEN	0,4	
Type DAD CLOSE	0,4	
Type DAF ²⁾ OPEN	0,4	
Type DAF ²⁾ CLOSE	0,2	



1) operating times at 4,5 bar air pressure supply without load (standard values)

2) Type DAF with 9 springs

Type	number of springs n	spring-torque		air torque Ma [Nm] at operating pressure pe [bar]																											
		Ms [Nm]		2 bar		2,5 bar		3 bar		3,5 bar		4 bar		4,5 bar		5 bar		5,5 bar		6 bar		6,5 bar		7 bar		7,5 bar		8 bar			
		MIN	MAX	MIN	MAX	MIN	MAX	MIN	MAX	MIN	MAX	MIN	MAX	MIN	MAX	MIN	MAX	MIN	MAX	MIN	MAX	MIN	MAX	MIN	MAX	MIN	MAX	MIN	MAX		
DAD 25	-	-	-	61	79	98	115	133	151	169	187	205	223	240	257	275															
DAF 25	4	24,2	40,2	20,8	36,8	38,8	54,8	57,8	73,8	74,8	90,8	92,8	108,8	110,8	126,8	128,8	144,8	146,8	162,8	164,8	180,8	182,8	198,8	199,8	215,8	216,8	232,8	234,8	250,8		
	5	30,2	50,2	10,8	30,8	28,8	48,8	47,8	67,8	64,8	84,8	82,8	102,8	100,8	120,8	118,8	138,8	136,8	156,8	154,8	174,8	172,8	192,8	189,8	209,8	206,8	226,8	224,8	244,8		
	6	36,3	60,2	0,8	24,7	18,8	42,7	37,8	61,7	54,8	78,7	72,8	96,7	90,8	114,7	108,8	132,7	126,8	150,7	144,8	168,7	162,8	186,7	179,8	203,7	196,8	220,7	214,8	238,7		
	7	42,3	70,3			8,7	36,7	27,7	55,7	44,7	72,7	62,7	90,7	80,7	108,7	98,7	126,7	116,7	144,7	134,7	162,7	152,7	180,7	169,7	197,7	186,7	214,7	204,7	232,7		
	8	48,3	80,3					17,7	49,7	34,7	66,7	52,7	84,7	70,7	102,7	88,7	120,7	106,7	138,7	124,7	156,7	142,7	174,7	159,7	191,7	176,7	208,7	194,7	226,7		
	9	54,4	90,4					7,6	43,6	24,6	60,6	42,6	78,6	60,6	96,6	78,6	114,6	96,6	132,6	114,6	150,6	132,6	168,6	149,6	185,6	166,6	202,6	184,6	220,6		
	10	60,4	100,4						14,6	54,6	32,6	72,6	50,6	90,6	68,6	108,6	86,6	126,6	104,6	144,6	122,6	162,6	139,6	179,6	156,6	196,6	174,6	214,6			
	11	66,5	110,8						4,2	48,5	22,2	66,5	40,2	84,5	58,2	102,5	76,2	120,5	94,2	138,5	112,2	156,5	129,2	173,5	146,2	190,5	164,2	208,5			
12	72,5	120,5								12,5	60,5	30,5	78,5	48,5	96,5	66,5	114,5	84,5	132,5	102,5	150,5	119,5	167,5	136,5	184,5	154,5	202,5				

Design	DAD / DAF
Size	25
A	365
A1	553
B	154,5
C	159
D	20
E	83
F	78,5
G	50
H	48
K	90
Ø L	38
J	44
Ø M	130
N	80
O	12
Ø P	30
SW	17
Connection ISO 5211	F07
Ø d2	55
Ø d3	70
d4 x h3	M8x13
Number of screws	4
h4	3
l3	20
s	17



AMG-PESCH GmbH
 Adam-Riese-Straße 1
 D - 50996 Köln
 Tel.: +49-(0) 22 36 - 89 16 - 0
 Fax: +49-(0) 22 36 - 89 16 - 73
info@amg-pesch.com
www.amg-pesch.com