

General information

PWS12420220127

The Tester 1006 has a simultaneous control function of up to 4 load cells in any weighing system, upload and download function for programming the DAT and MC 302 series instruments, but it can also be used as a Calibrator and Peak detector. It is very useful for the correct mechanical installation and for fault diagnosis. The Tester 1006 is supplied as standard with cable for connection to our junction boxes / sum mod. CEM 4 / C and CGS 4 / C. Simultaneous display of the signal of each individual load cell allows to control the entire weighing system, weight distribution, overloads, faulty cells and faulty connections. OUT OF PRODUCTION. Pavone systems provides a new version of Tester 1006: Tester 1008.

Technical Manual: [tester-1006_en.pdf](#)

All indicated data may be changed without notice.
All the measures indicated are expressed in millimeters (mm).

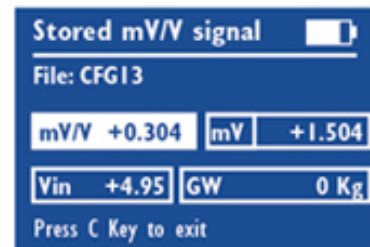
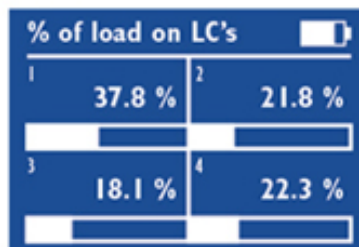
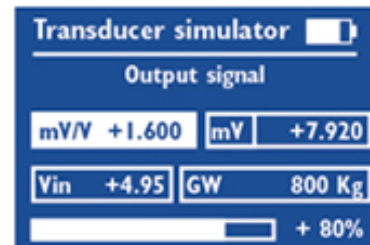
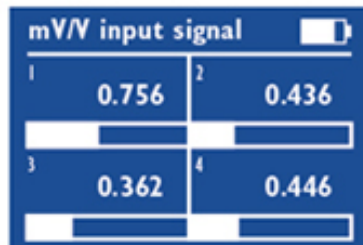
Technical specifications

PWS12420220127

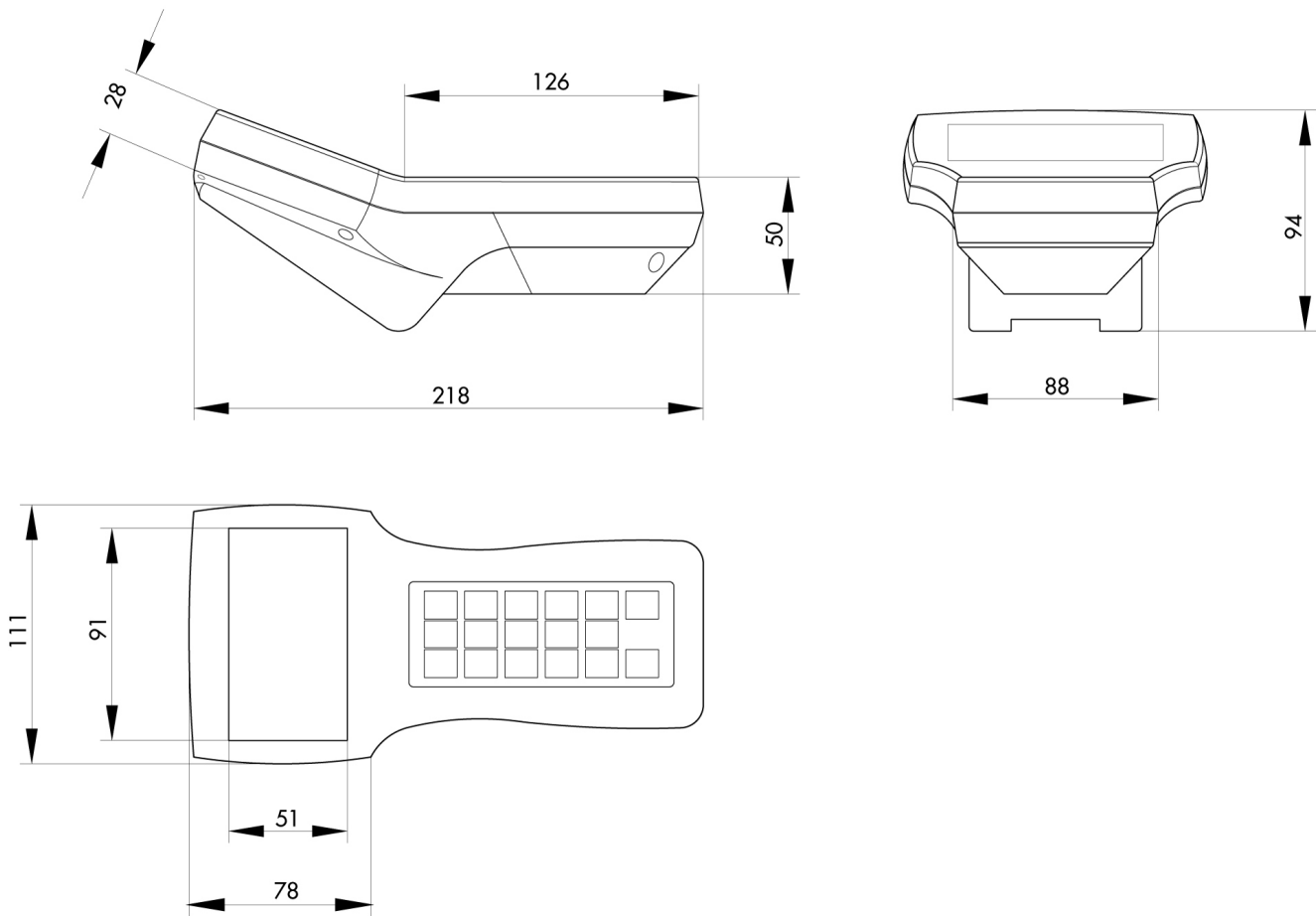
| | |
|---|--|
| Measuring range: | -3,9 ÷ +3,9 mV/V |
| Full scale non-Linearity: | <0.01 % full scale |
| Gain drift: | <0.001 % of full scale/°C |
| Display: | Graphical 3 " |
| A/D Converter: | 24 bits |
| Internal Resolution: | > 16,000,000 points |
| Transducer input voltage: | 5 Vdc / 60 mA (max 4 350 Ohm load cells in parallel) |
| Degree of protection: | IP54 |
| Visible resolution (in divisions): | 50000 |
| Divisions value (adjustable): | x1, x2, x5 |
| Decimal figures range: | 0 ÷ 3 |
| Temperature range: | -10 ÷ +50 °C (max 85% humidity without condensation) |
| Storage temperature: | -20 ÷ +70 °C |
| Power supply: | 4 AA batteries - Power consumption 5 W |
| Weight: | 500 g |
| Accuracy full scale: | 0.033 % full scale |
| Impedance: | 350 ÷ 700 Ohm, 300 ÷ 4500 Ohm |
| Load cells connection: | 25-pin D-sub connector and cable length 2m |
| Power consumption: | 125 ÷ 190 mA |
| Input signal cells: | -3 ÷ +20.3 mV |
| Voltage power cell: | 3 ÷ 12 Vdc |
| Connection to the instruments: | 25-pin D-sub connector and cable length 0.5 m |

All indicated data may be changed without notice.
 All the measures indicated are expressed in millimeters (mm).

Display visualization



All indicated data may be changed without notice.
 All the measures indicated are expressed in millimeters (mm).



All indicated data may be changed without notice.
All the measures indicated are expressed in millimeters (mm).