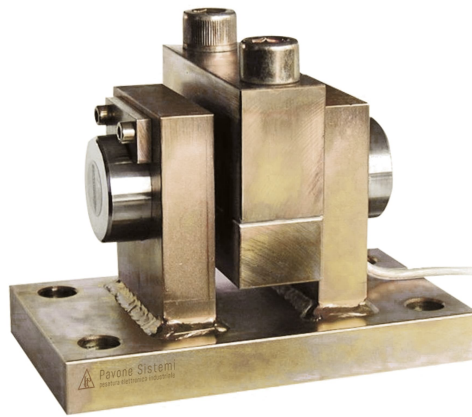


General information

PWS3820220127

The PERMOUNTING weighing module has a pin load cell (double shear beam operation) made of fully welded steel and a built-in mounting component. The PERMOUNTING weighing module is suitable for tension measurements and all weighing systems. PERMOUNTING offers maximum resistance to impacts and overloads and is insensitive to side loads. The PERMOUNTING cell is supplied with a 5 meter long cable with 6 conductors and a length of 5 mt. The load cell and the mounting component of the PERMOUNTING product cannot be sold separately, the weighing module must be purchased in full (see image).



Suggested related products

A highly performing weighing system must be accurate, perfectly calibrated and well maintained. In order to improve the load cell performance and to optimize its functioning, you may need the following products:

Weight Transmitter [UWT 6008](#)

Weight Transmitter [DAT 1400](#)

Weight Indicator [MCT 1302](#)

Tester 1008 [TESTER 1008](#)

Junction Box [CGS4-C](#)

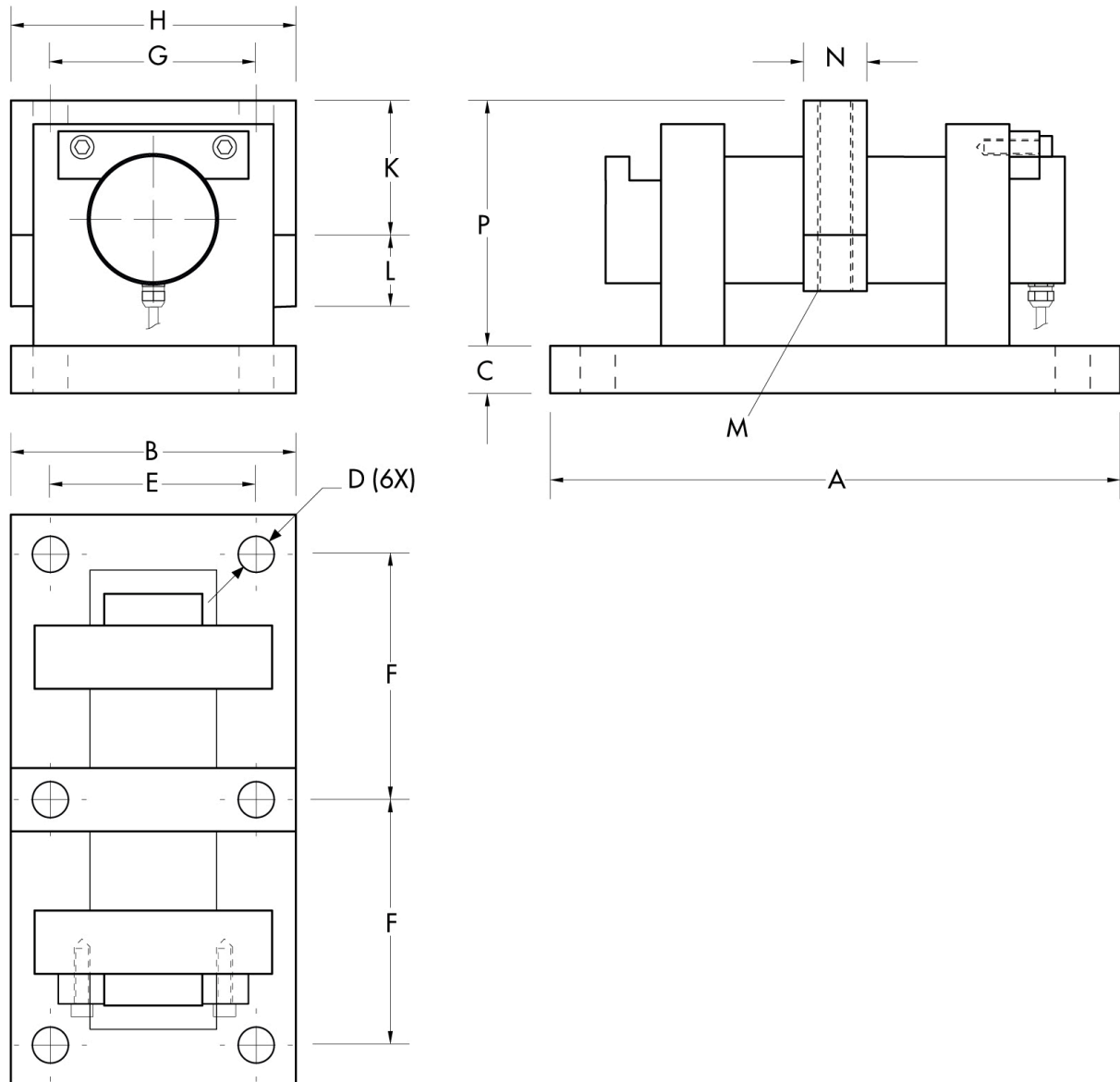
All indicated data may be changed without notice.
All the measures indicated are expressed in millimeters (mm).

Technical specifications

PWS3820220127

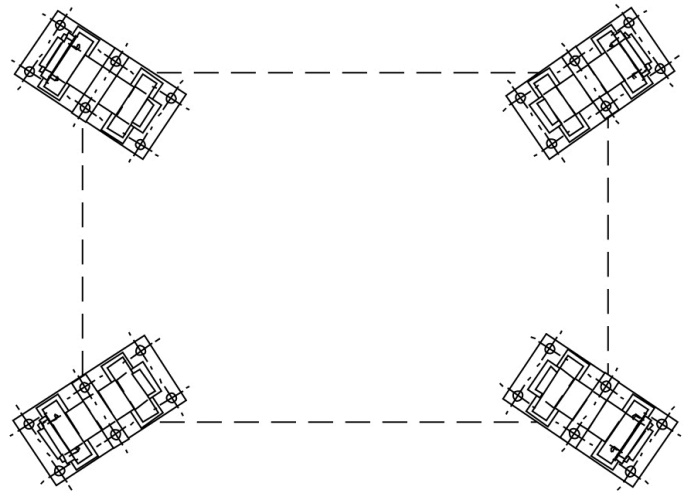
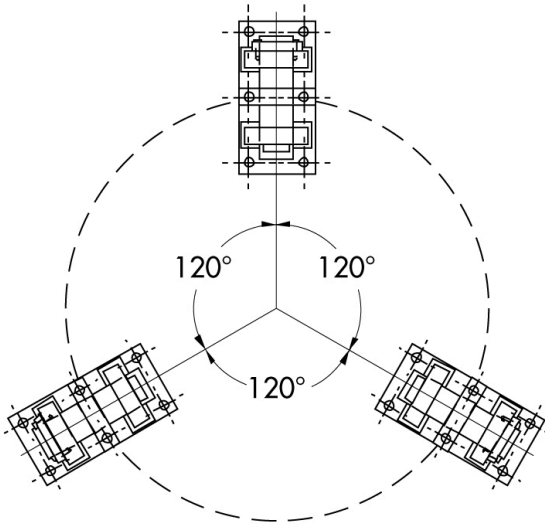
Rated Load (RL):	5, 10, 20, 40, 60, 80, 100 t
Combined error:	< ± 0.1 % RO
Repeatability:	< ± 0.02 % RO
Creep (20 minutes):	± 0.03 % RO
Safe overload:	150 % RL
Ultimate overload:	300 % RL
Material:	Stainless steel
Degree of protection:	IP68
Deflection:	0.4 mm
Compensated Temperature:	-10 ÷ +50 °C
Temperature range:	-20 ÷ +70 °C
Temperature effect on zero balance:	< ± 0.005 % RO/°C
Temperature effect on output:	< ± 0.005 % on output/°C
Rated output RO:	1 mV/V ± 0.1 %
Zero balance:	< ± 2 % RO
Insulation resistance:	> 5000 MOhm
Input resistance:	700 ± 20 Ohm
Output resistance:	700 ± 10 Ohm
Recommended input:	5 ÷ 15 Vdc/ac

All indicated data may be changed without notice.
All the measures indicated are expressed in millimeters (mm).



CAPACITY	A	B	C	D	E	F	G	H	K	L	M	N	P
5-30 t	200	120	30	18	80	80	85	120	60	30	M16	40	114
40-60 t	360	180	30	22	130	155	130	180	85	45	M20	40	154
80-100 t	390	200	40	26	150	170	146	200	95	70	M24	49	180

All indicated data may be changed without notice.
 All the measures indicated are expressed in millimeters (mm).



CAPACITY	50-30 t	40-60 t	80-100 t
Max lift force resistance	6080 kg	9280 kg	16120 kg
Max lateral force resistance	6220 kg	13320 kg	26210 kg

All indicated data may be changed without notice.
 All the measures indicated are expressed in millimeters (mm).