

General information

PWS23920220126

The MCT S 1302 atex and stainless steel is a touch screen weight indicator ideal for every type of weighing, in particular for static weighing and loading / unloading and multi-component weighing. It is easy to install and to use and it owns a multilingual menu. The MCT S 1302 product can be customized according to customers' needs.

Software Optimization 1.4.17: [optimization_weighing_software.zip](#)Safety Notes: [dat_s_400_atex_safety_notes_en.pdf](#)Technical Manual: [mct-1302_technical_manual.pdf](#)

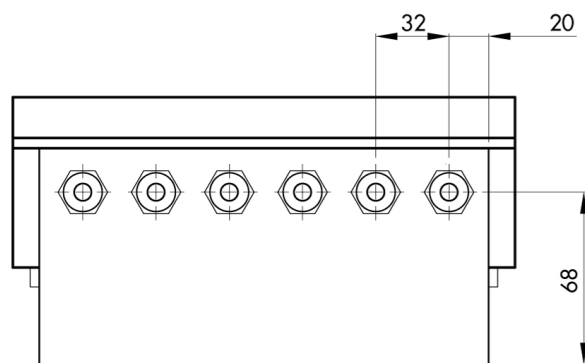
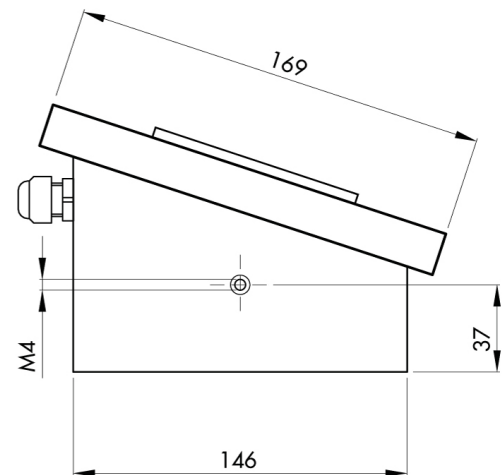
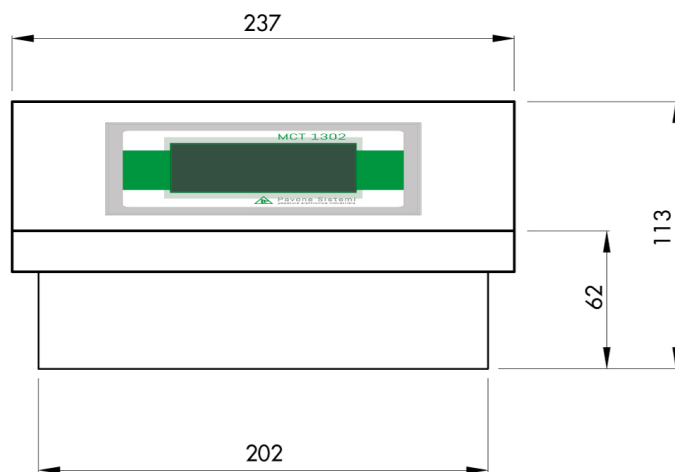
All indicated data may be changed without notice.
All the measures indicated are expressed in millimeters (mm).

Technical specifications

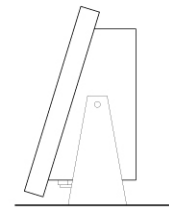
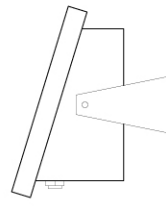
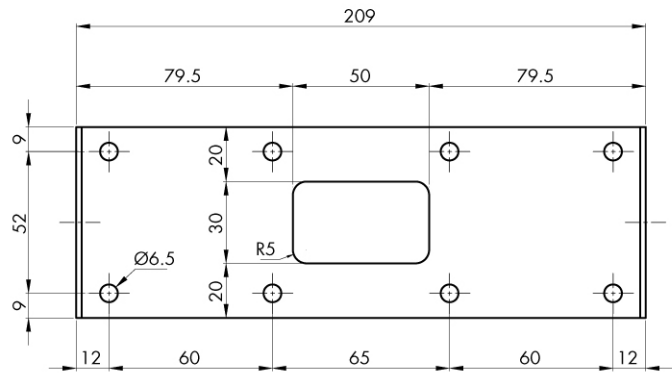
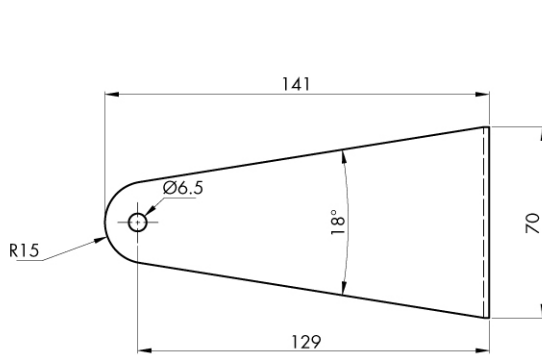
PWS23920220126

| | |
|---|--|
| Legal for Trade: | certification available on request |
| Measuring range: | -3.9 ÷ +3.9 mV/V |
| Input sensitivity: | 0.02 µV/count |
| Full scale non-Linearity: | < 0.01 % |
| Gain drift: | < 0.001 % full scale/°C |
| Display: | graphic LCD (240x128 pixel) |
| A/D Converter: | 24 bit; internal resolution up to 16.000.000 |
| Trasducer input voltage: | 5 Vdc (max 8 load cells - 350 Ohm) |
| Frequency signal acquisition: | 12 ÷ 1000 Hz |
| Visible resolution (in divisions): | 999999 |
| Divisions value (adjustable): | x1, x2, x5, x10, x20, x50; 4 decimal points |
| Temperature range: | -10 ÷ +50°C (max umidity 85% without condensation) |
| Storage temperature: | -20 ÷ +70°C |
| Filter: | 0.1 ÷ 250 Hz |
| Logic output: | 6 opto-isolated; max 24 Vdc/100mA each |
| Logic input: | 6 optically isolated 24 Vdc PNP (external power supply) |
| Additional I/O: | up to 4 external modules with 4 in/8-out each (16 in/32 out, total) by independent RS485 |
| Serial port: | 1 USB device + 1 RS232C + 1 RS485/Fieldbus |
| Analog optional output: | optoisolated 16-Bit Voltage: 0 ÷ 5/10 V (R min10 K Ohm), Current: 0/4 ÷ 20 mA (R max 300 Ohm) |
| Analog output Non-Linearity: | < 0,02 % |
| Temperature drift analog output: | 0,001 % FS/°C |
| Power supply: | 18 ÷ 30 Vdc - Power consumption 5 W. Optional 115/230 Vac |
| Microcontroller: | ARM Cortex M0 + 32 bit 256KB Flash reprogrammable onboard from USB |
| Data storage: | 64 Kbytes expandable up to 1024 Kbytes |
| Regulatory compliance: | EN61000-6-2, EN61000-6-3 for EMC; EN61010-1 for Electrical Safety, EN45501 for metrology |
| Fieldbus: | Ethernet 10/100 with protocols TCP, MODUBUS/TCP, UDP, IP, ICMP, ARP; Profinet; Ethernet/IP; ETHERCAT |

All indicated data may be changed without notice.
All the measures indicated are expressed in millimeters (mm).



All indicated data may be changed without notice.
All the measures indicated are expressed in millimeters (mm).



All indicated data may be changed without notice.
All the measures indicated are expressed in millimeters (mm).