

General information

PWS3620220126

The MASTERMOUNT weighing module is an aesthetically appealing product; it has a double shear beam load cell made of stainless steel and a built-in mounting component. MASTERMOUNT is ideal for weighing processes that require accurate, safe and convenient solutions and can also be used in the most hostile industrial environments as it covers most industrial process applications. MASTERMOUNT is supplied with 20 m long shielded polyurethane cables for the electrical connection. The load cell and the assembly component of the MASTERMOUNT product cannot be sold separately, the weighing module must be purchased in full (see image).



Suggested related products

A highly performing weighing system must be accurate, perfectly calibrated and well maintained. In order to improve the load cell performance and to optimize its functioning, you may need the following products:

Weight Transmitter [UWT 6008](#)

Weight Transmitter [DAT 1400](#)

Weight Indicator [MCT 1302](#)

Tester 1008 [TESTER 1008](#)

Junction Box [CGS4-C](#)

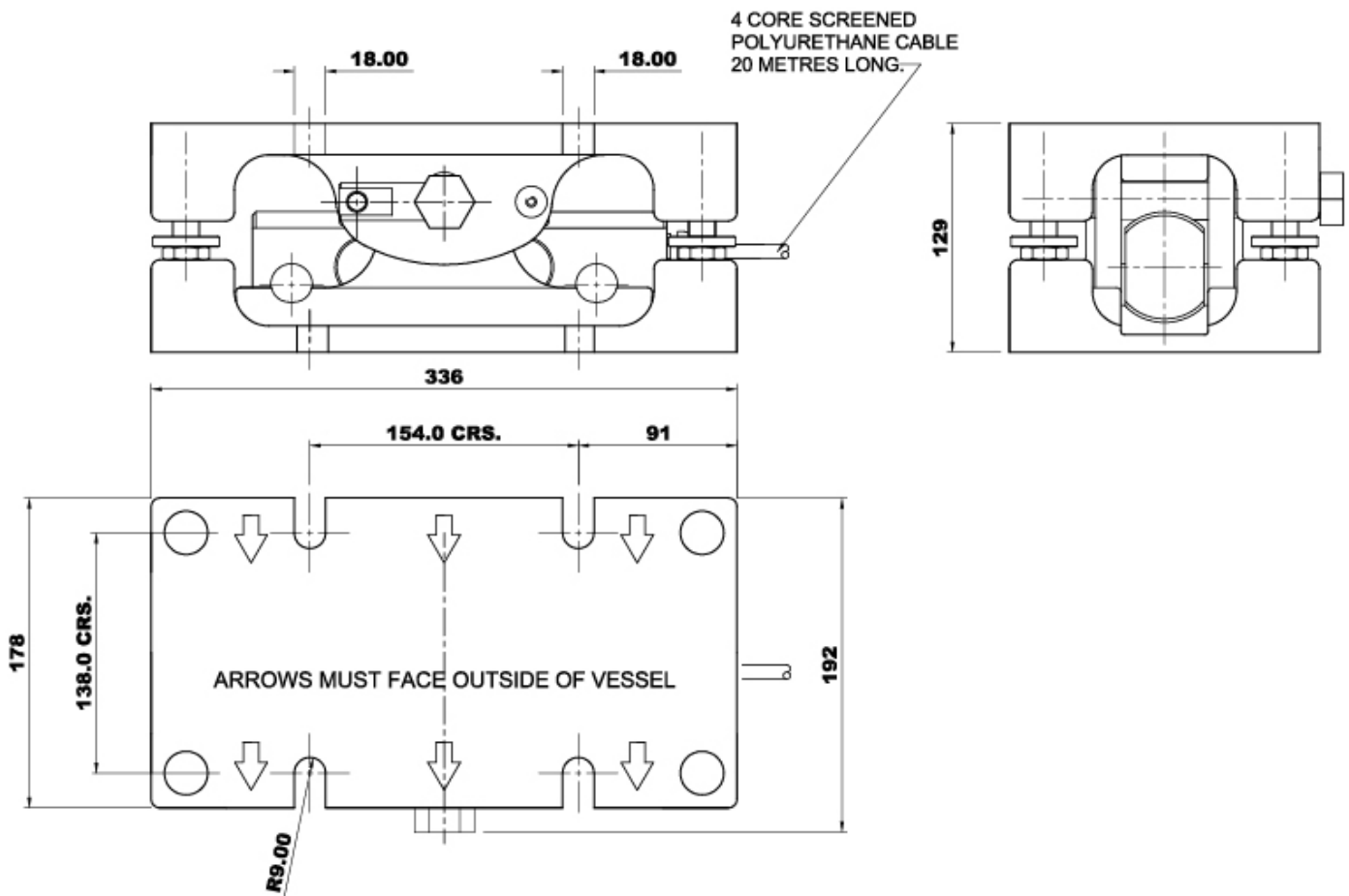
All indicated data may be changed without notice.
All the measures indicated are expressed in millimeters (mm).

Technical specifications

PWS3620220126

Rated Load (RL):	2, 5, 10, 15, 20, 30 t
Combined error:	< ± 0.03 % RL
Repeatability:	< ± 0.015 % RL
Safe overload:	150 % RL
Ultimate overload:	300 % RL
Safe sideload:	100 % RL
Ultimate sideload:	100 % RL
Compensated Temperature:	-10 ÷ +40 °C
Temperature range:	-50 ÷ +80 °C
Temperature effect on zero balance:	< ± 0.002 % RO/°C
Temperature effect on output:	< ± 0.0012 % of output/°C
Rated output RO:	2.0 mV/V ± 0.25 %
Zero balance:	± 2 % RO
Insulation resistance:	> 500 M Ohm @ 100 Vdc
Input resistance:	785 ± 20 Ohm
Output resistance:	700 ± 5 Ohm
Recommended input:	10 V
Maximum supply voltage:	18 V

All indicated data may be changed without notice.
All the measures indicated are expressed in millimeters (mm).



All indicated data may be changed without notice.
 All the measures indicated are expressed in millimeters (mm).