

Technical specifications

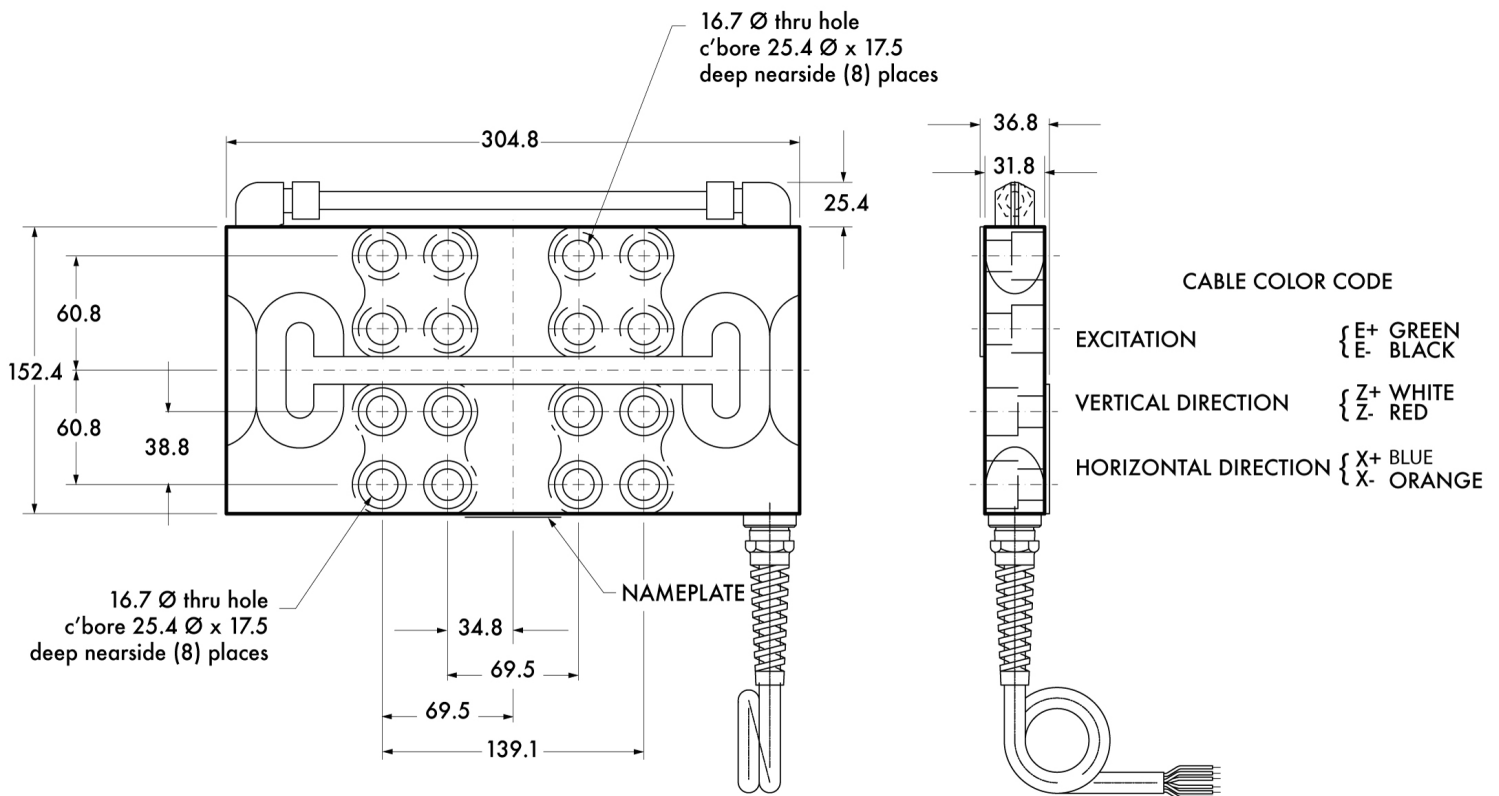
PWS11420220129

The HTU product is a tensiometric system suitable for working in extreme conditions where very high temperatures are regularly reached. This weighing system has been tested. Furthermore, the calibration of HTU is set up directly at the workplace to guarantee minimum start-up time.

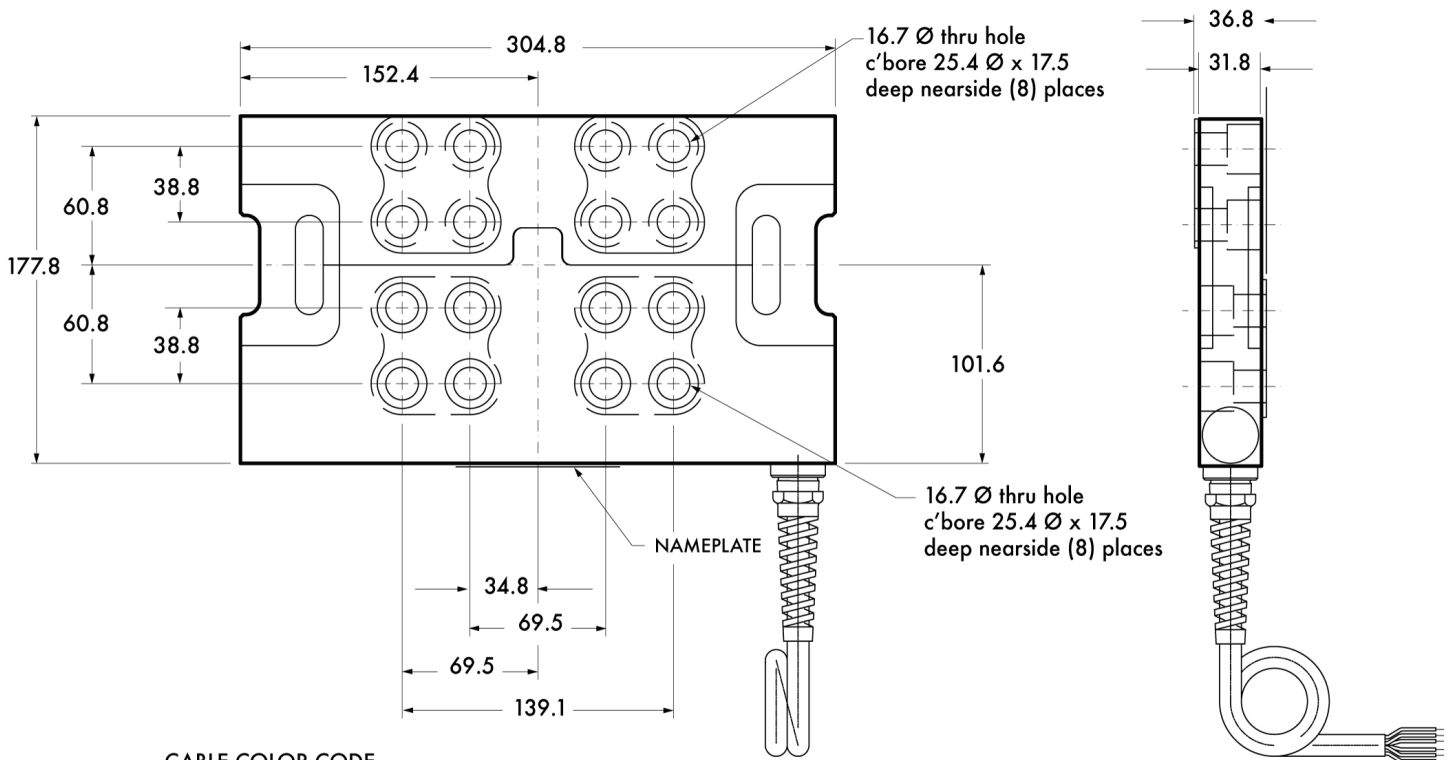
Rated load RL:	9, 27, 45, 89 kN
Combined error:	0.1 % RO
Repeatability:	0.02 % RO
Creep (20 minutes):	0.05 % RO
Safe overload:	150 % RL
Ultimate overload:	300 % RL
Safe sideload:	100 % RL
Ultimate sideload:	300 % RL
Degree of protection:	IEC IP67
Temperature range:	-18 ÷ +149°C
Storage temperature:	-18 ÷ +121 °C
Temperature effect on zero balance:	0.0044 % RO/°C
Temperature effect on output:	0.0089 % RO/°C
Rated output RO:	2.0 mV/V (X & Y bridges)
Zero balance:	1.0 % RO
Input resistance:	185 ±10.0 Ohm
Output resistance:	500 ±5.0 Ohm
Recommended input:	10 ÷ 15 Vdc/ac
Weight:	8.2 kg
HTU Cell:	17-4PH stainless steel



All indicated data may be changed without notice.
 All the measures indicated are expressed in millimeters (mm).



All indicated data may be changed without notice.
All the measures indicated are expressed in millimeters (mm).


CABLE COLOR CODE

EXCITATION { E+ GREEN
E- BLACK

VERTICAL DIRECTION { Z+ WHITE
Z- RED

HORIZONTAL DIRECTION { X+ BLUE
X- ORANGE

All indicated data may be changed without notice.
All the measures indicated are expressed in millimeters (mm).