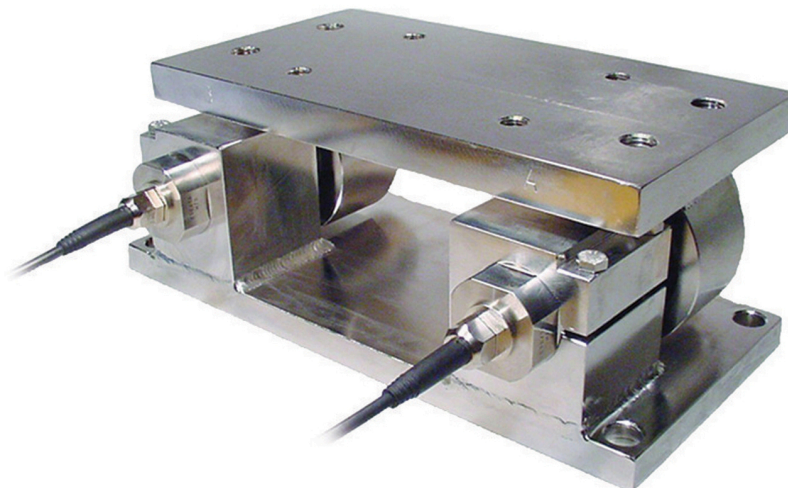


Technical specifications

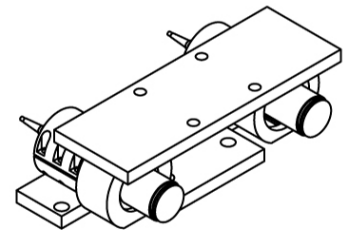
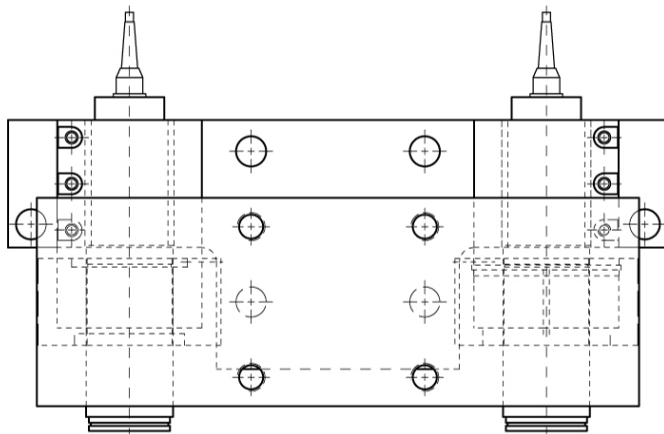
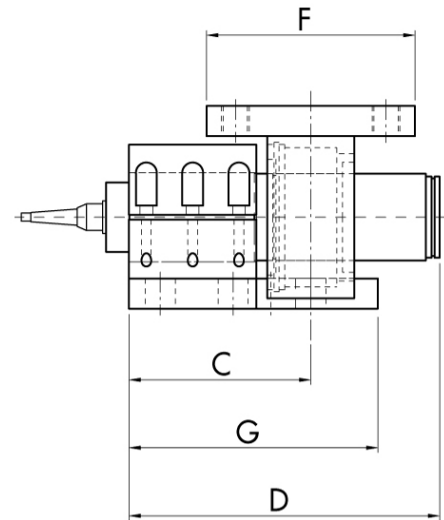
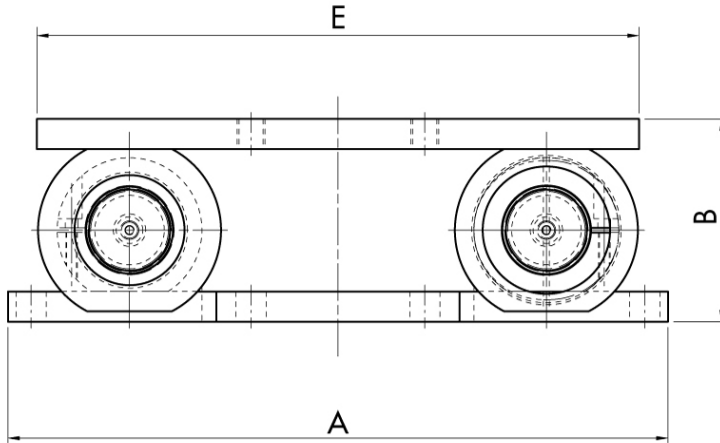
PWS11120220127

The FMU-1 product is a tensiometric system that is useful to keep the tension of the rolled or unrolled material constant and to measure in order to avoid product breakages and machine jams with consequent production stops. This tool is particularly useful during the production of paper but it has been designed to meet any other application requirement: steel tape equipment, conveyors for mines, felts, dryers, calenders, painters and laminators, winders and rewinders.

Rated load RL:	2 ÷ 200
Repeatability:	<0.1 % RO
Material:	Yellow chromate or stainless steel
Temperature range:	-40 ÷ +80 (100 option)
Rated output RO:	2 mV/V
Recommended input:	10 Vdc/ac
Maximum supply voltage:	18 Vdc/ca



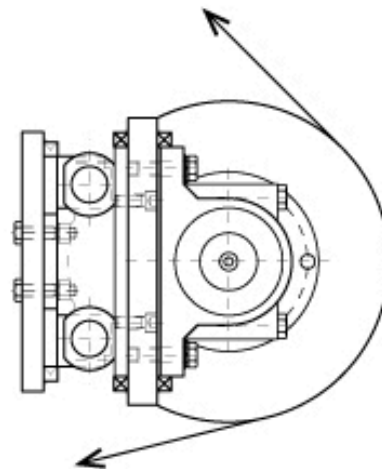
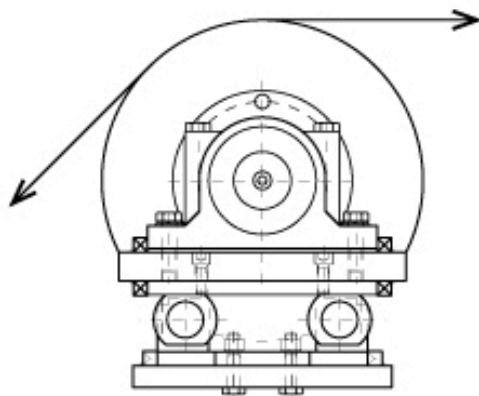
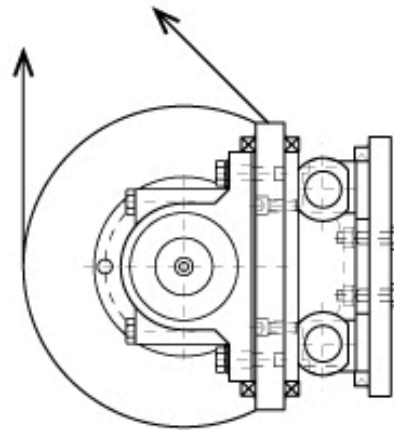
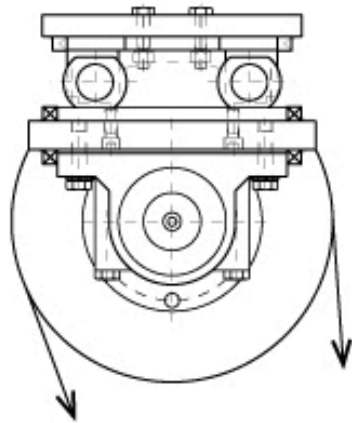
All indicated data may be changed without notice.
All the measures indicated are expressed in millimeters (mm).

Web Tension Measurement Unit FMU-1


The block can be customized

CAPACITY kN	A	B	C	D	E	F	G
2, 4, 10	340	110	94.5	150	300	100	150
20, 40, 60	380	140	110	190.5	347	120	170
100	570	175	157	268	520	180	215
200	640	219	167	292.5	540	180	230

All indicated data may be changed without notice.
 All the measures indicated are expressed in millimeters (mm).



All indicated data may be changed without notice.
All the measures indicated are expressed in millimeters (mm).