

## General information

PWS2720220126

The DDR double shear beam load cell made of stainless steel and with fully welded hermetic seal, is suitable for weighing tanks and silos and has a 12 m shielded 6-conductor cable for electrical connection. The DDR cell is easy to install and has a high linearity and low mechanical profile. Furthermore, it is also available in a high temperature version and can be customized.



## Suggested related products

A highly performing weighing system must be accurate, perfectly calibrated and well maintained. In order to improve the load cell performance and to optimize its functioning, you may need the following products:

**Weight Transmitter** [DAT 1400](#)

**Weight Indicator** [MCT 1302](#)

**Mounting kits** [DE MOUNTING KIT](#)

**Tester 1008** [TESTER 1008](#)

**Junction Box** [CGS4-C](#)

All indicated data may be changed without notice.  
All the measures indicated are expressed in millimeters (mm).

## Technical specifications

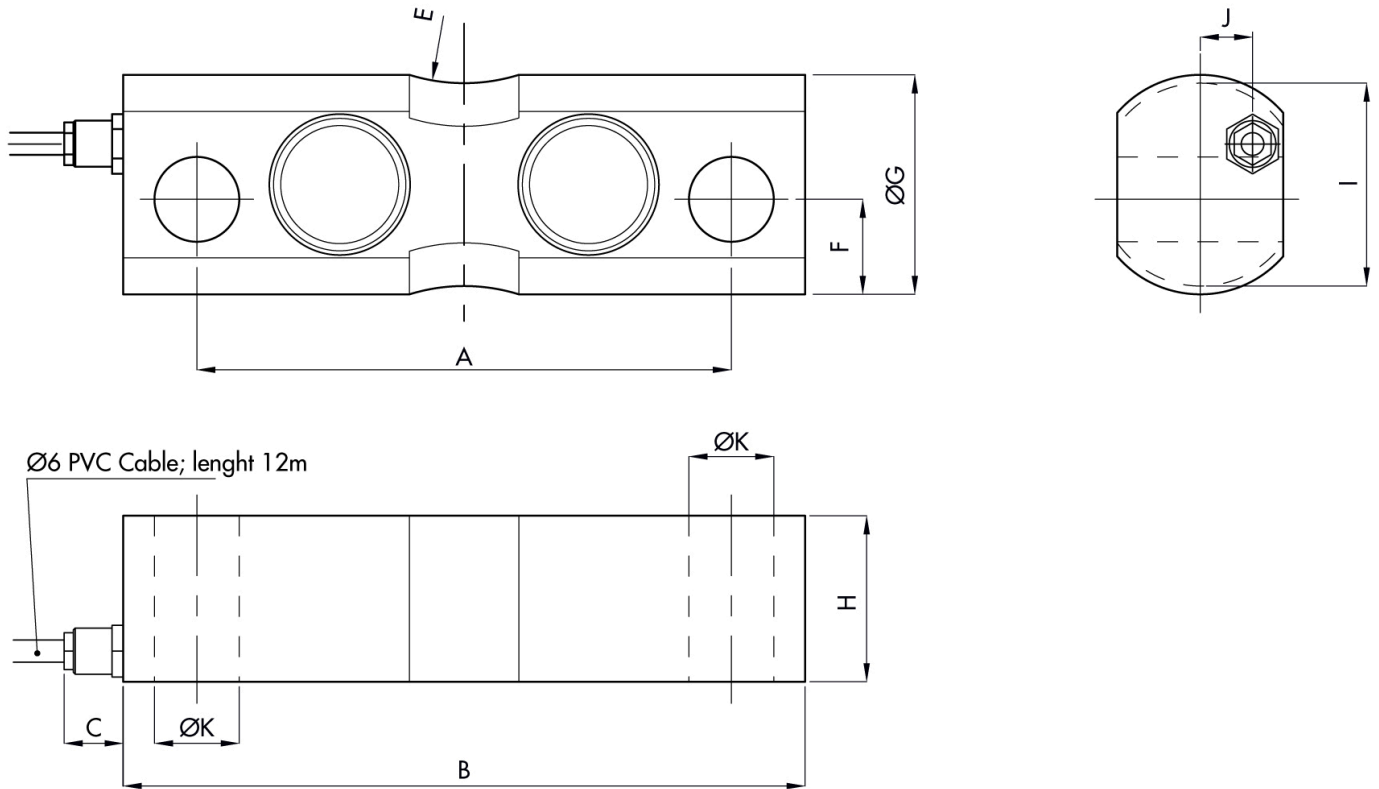
PWS2720220126

<b>Rated Load (RL):</b>	2, 3, 5, 10, 20, 30, 50, 75, 100 t
<b>Combined error:</b>	< ±0.017 % RO
<b>Repeatability:</b>	< ±0,015 %
<b>Creep (20 minutes):</b>	±0.016 % RO
<b>Safe overload:</b>	150 % RL
<b>Ultimate overload:</b>	200 % RL
<b>Degree of protection:</b>	IP68
<b>Accuracy class:</b>	3000 OIML (except for 2, 3 t)
<b>Deflection:</b>	0.6 ÷ 1 mm
<b>Compensated Temperature:</b>	-10 ÷ +40 °C
<b>Temperature range:</b>	-30 ÷ +70 °C
<b>Temperature effect on zero balance:</b>	< ±0.010 % RO / 5°C
<b>Temperature effect on output:</b>	< ±0.006 % RO/5°K
<b>Rated output RO:</b>	2 mV/V ±0,1 %
<b>Zero balance:</b>	< ±2 % RO
<b>Insulation resistance:</b>	> 5000 M Ohm
<b>Input resistance:</b>	800 ±30 Ohm
<b>Output resistance:</b>	700 ±5 Ohm
<b>Recommended input:</b>	5 ÷ 15 Vdc/Vac

All indicated data may be changed without notice.  
All the measures indicated are expressed in millimeters (mm).

# Double Shear Beam Load Cell DDR

available with certification • GOST • EAC • ATEX • OIML



CAPACITY	A	B	C	D	E	F	ØG	H	ØI	J	ØK	WEIGHT
5-20t	145	185	16	41	r.50	25.7	59.5	45	55	14	23	3.2kg
30-50t	220	285	16	48	r.50	29.7	74.5	60	66	22	30	8kg
75-100t	260	340	16	66	r.50	37.2	99.5	80	91	32	50	14.3kg

Electrical Connection	
+Excitation	Green
-Excitation	Black
+Sense	Blue
-Sense	Yellow
+Signal	Red
-Signal	White
Shield	Cable shield

All indicated data may be changed without notice.  
 All the measures indicated are expressed in millimeters (mm).