

General information

PWS7120220127

The weight transmitter DAT S 400 is a high quality stainless steel weighing instrument, which can be customized. Configuration and calibration can be set up both from the front panel and the serial port. The DAT S 400 solution has an upload and download function for programming, a peak hold function for dynamic measures and many other useful options that customers can choose.



Software Innovation 2: [inovation_2_weighing_software.zip](#)

Technical Manual: [dat-s-400_en.pdf](#)

Technical Manual Analog: [dat-s-400_analog_en.pdf](#)

Technical Manual Fieldbus: [dat-s-400_fieldbus_en.pdf](#)

Safety Notes: [mct_s_1302_atex_safety_notes_en.pdf](#)

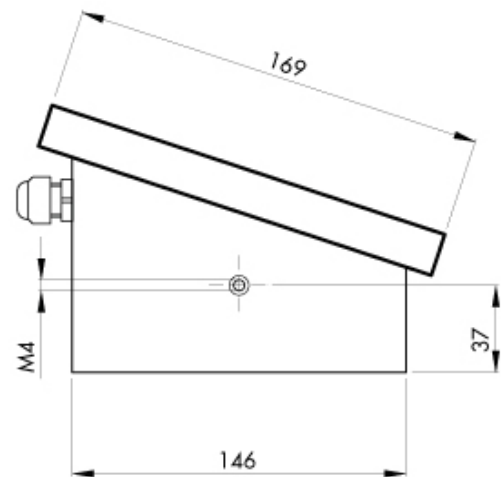
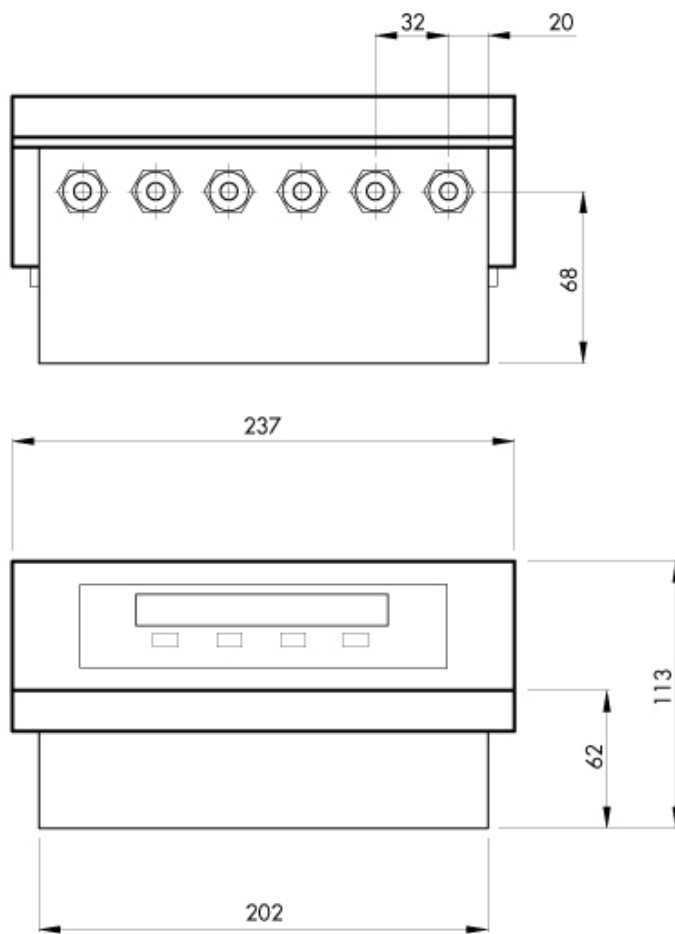
All indicated data may be changed without notice.
All the measures indicated are expressed in millimeters (mm).

Technical specifications

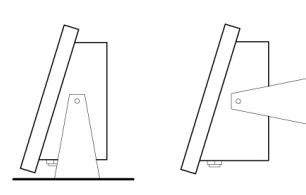
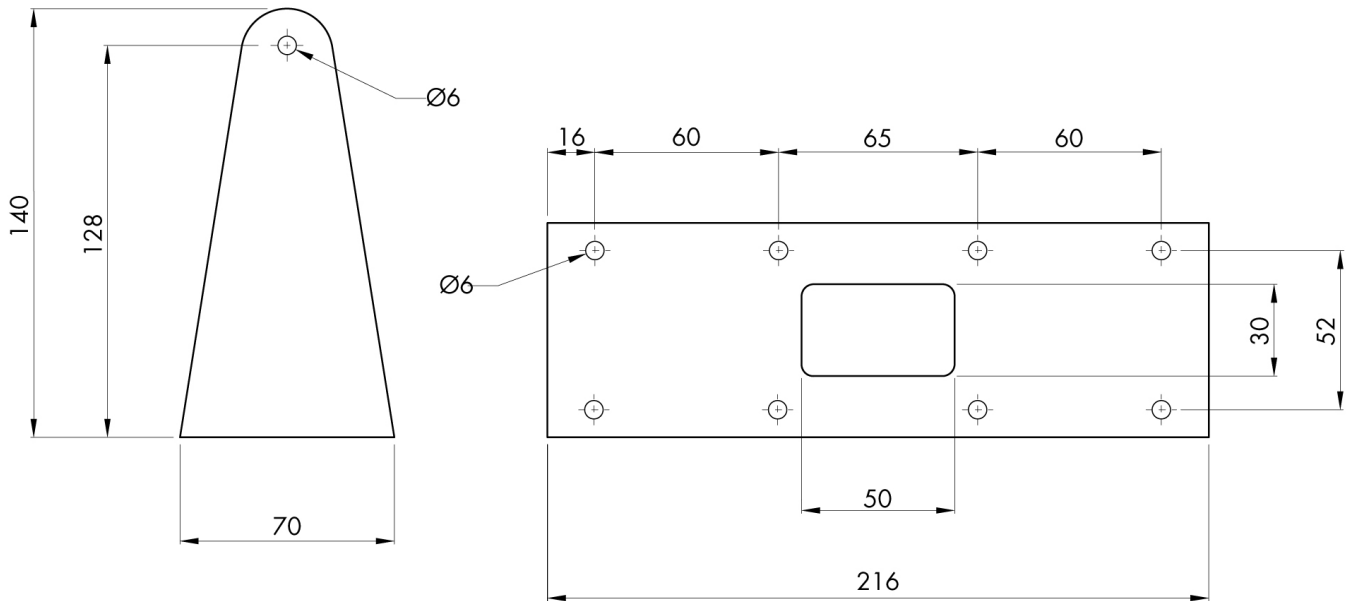
PWS7120220127

Measuring range:	-0.5 ÷ +3.5 mV/V (optional -3.9 ÷ +3.9 mV/V)
Input sensitivity:	0.02 µV/count
Full scale non-Linearity:	< 0.01 % full scale
Gain drift:	< 0.001 % full scale/°C
A/D Converter:	24 bit
Visible resolution (in divisions):	> 60000
Decimal figures range:	0 ÷ 3
Temperature range:	-10 ÷ +40 °C
Storage temperature:	-20 ÷ +50°C
Filter:	0.1 ÷ 25 Hz
Logic output:	2 outputs (clean contact) Max 24 Vdc/100 mA cad.
Logic input:	2 optoisolated 24 Vdc PNP (External voltage)
Serial port:	USB, RS232C o RS422/RS485 with ASCII or Modbus RTU protocols
Analog optional output:	Optoisolated 16 bit, Tension: 0 ÷ 5 or 0 ÷ 10 V (R >10 K Ohm), Current: 0 ÷ 20 o 4 ÷ 20 mA (R < 300 Ohm), Linearity: 0,03 of full scale
Power supply:	24 Vdc ±15 % - absorbed power 5 W
Regulatory compliance:	EN61326-1, EN55011, EN55014 for EMC; EN61010-1 for electrical security
Baud rate:	2400, 9600, 19200, 38400, 115200 adjustable
Transmission distance:	15m (RS232C), 1000m (RS422; RS485)
Power consumption:	115 / 230 Vdc 50/60 Hz
Fieldbus:	Profibus, Devicenet, Profinet, Ethernet, Ethernet IP
Trasducer input voltage:	5 V (max 6 load cells 350 Ohm)

All indicated data may be changed without notice.
All the measures indicated are expressed in millimeters (mm).



All indicated data may be changed without notice.
All the measures indicated are expressed in millimeters (mm).



All indicated data may be changed without notice.
 All the measures indicated are expressed in millimeters (mm).