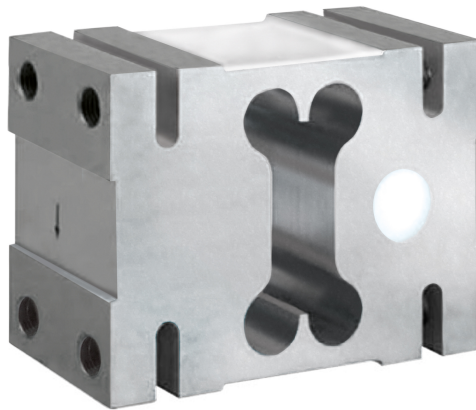


General information

PWS18220220127

The off center load cell 1320, made of aluminum, is ideal for large-scale single-cell platforms, dynamometers and weight controllers. This load cell maintains precision in any position the object is loaded and this solves the problems that usually occur in weighing systems if the object does not rest exactly on the center of the cell. The off-center load cell 1320 has optional functions and can be customized according to customer needs. It has a 5-meter shielded 4-conductor cable.



Suggested related products

A highly performing weighing system must be accurate, perfectly calibrated and well maintained. In order to improve the load cell performance and to optimize its functioning, you may need the following products:

Off Center load cell [C2G1](#)

Off Center load cell [CB004](#)

Off Center load cell [CB14](#)

Off Center load cell [U2D1](#)

All indicated data may be changed without notice.
All the measures indicated are expressed in millimeters (mm).

Technical specifications

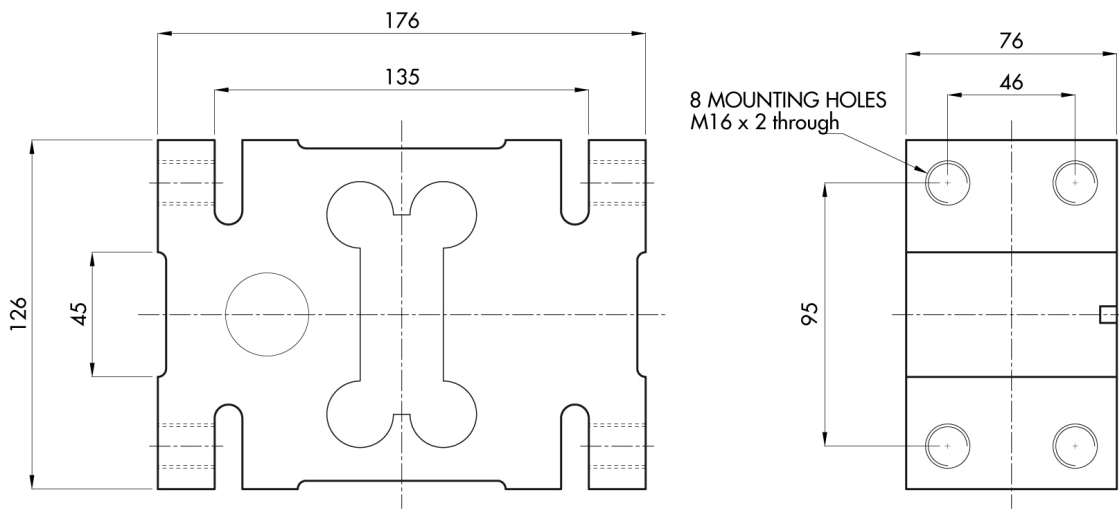
PWS18220220127

Rated Load (RL):	1, 1.5, 2 t
Combined error:	±0.02 % RL
Repeatability:	±0.015 % RO
Creep (30 minutes):	±0.0170 % of applied load
Ultimate overload:	150 % RL
Visible resolution (in divisions):	3000
Compensated Temperature:	-10 ÷ + 40 °C
Temperature range:	-30 ÷ +70 °C
Temperature effect on zero balance:	±0.0023 % RO/°C
Temperature effect on output:	±0.0010 % of applied load/°C
Rated output RO:	±0.2 mV/V
Zero balance:	±0.2 mV/V
Insulation resistance:	>2000 MOhm
Cable Length:	5 m
Impedance:	415 ÷ 15 Ohm
Maximum excitation:	15 Vdc/ac RMS
Excitation recommended:	10 Vdc/ac RMS
Rated output tolerance:	±0.2 mV/V
Output impedance:	350 ±3 Ohm
Ultimate central overload:	300 % RL

All indicated data may be changed without notice.
All the measures indicated are expressed in millimeters (mm).

Off Center load cell 1320

available with certification • EAC • ATEX • OIML • NTEP • FM



All indicated data may be changed without notice.
All the measures indicated are expressed in millimeters (mm).