

## Technical specification sheet

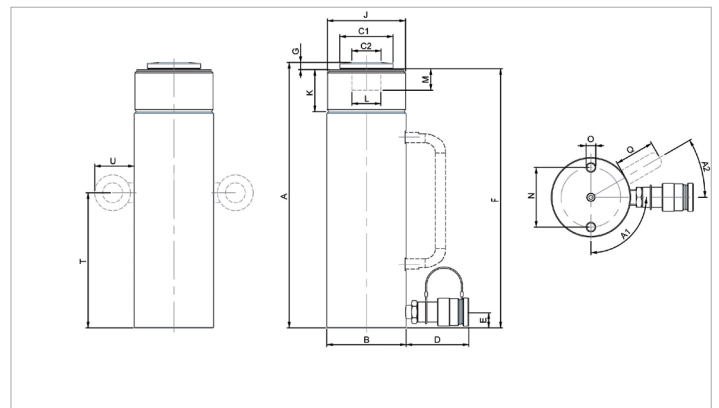
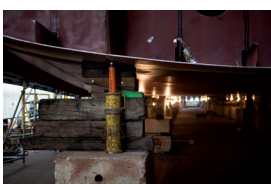
# HGC 50 S 10 | Multi Purpose Cylinder

| Specifications                   |                 |                        |
|----------------------------------|-----------------|------------------------|
| article number                   |                 | 100.112.250            |
| short description                |                 | Multi Purpose Cylinder |
| model                            |                 | HGC 50 S 10            |
| max. working pressure            | bar/Mpa         | 720 / 72               |
| tonnage                          | t               | 50                     |
| stroke                           | mm              | 100                    |
| closed height                    | mm              | 226                    |
| capacity                         | kN/t            | 510 / 52               |
| effective pressure area          | cm <sup>2</sup> | 70.9                   |
| required oil content (effective) | cc              | 709                    |
| connection                       |                 | A 118                  |
| cylinder type                    |                 | multi purpose          |
| acting type                      |                 | single                 |
| return type                      |                 | spring                 |
| material                         |                 | steel                  |
| weight, ready for use            | kg              | 18.9                   |
| ASME                             |                 | B30.1                  |

| Technical drawing dimensions |            |             |
|------------------------------|------------|-------------|
| dimension A                  | mm         | 226         |
| dimension B                  | mm         | 127         |
| dimension C1                 | mm         | 82          |
| dimension C2                 | mm         | 55          |
| dimension D                  | mm         | 80          |
| dimension E                  | mm         | 25          |
| dimension F                  | mm         | 220         |
| dimension G                  | mm         | 8           |
| dimension J                  | threadsize | 5"-12-UN    |
| dimension K                  | mm         | 57          |
| dimension L                  | mm         | 65          |
| dimension M                  | mm         | 10          |
| dimension N                  | mm         | 85          |
| dimension O                  | threadsize | M12x18 (2x) |
| dimension Q                  | mm         | 50          |
| angle A1                     | °          | 90          |
| angle A2                     | °          | 40          |

| Standard supplied with           |  |
|----------------------------------|--|
| • High Flow female coupler A 118 |  |
| • Flat saddle                    |  |

| Accessories                    |             |
|--------------------------------|-------------|
| Assembly / Welding Ring HGC 50 | 100.182.194 |



[holmatro.com](http://holmatro.com)

© Holmatro 2021-09-11

While the greatest care has been devoted to the content, it is possible that the information in this printed matter is incorrect or incomplete. Holmatro B.V. and its affiliated companies (hereafter: Holmatro) cannot be held liable in any way for the consequences of activities undertaken on the basis of this printed matter. Values can vary within the manufacturer measurements. If you have any doubts about the correctness or completeness of the information, you shall contact Holmatro (T +31 (0)162-751480). Nothing from this printed matter can be copied and/or made public in any way without the explicit authorisation of Holmatro.