

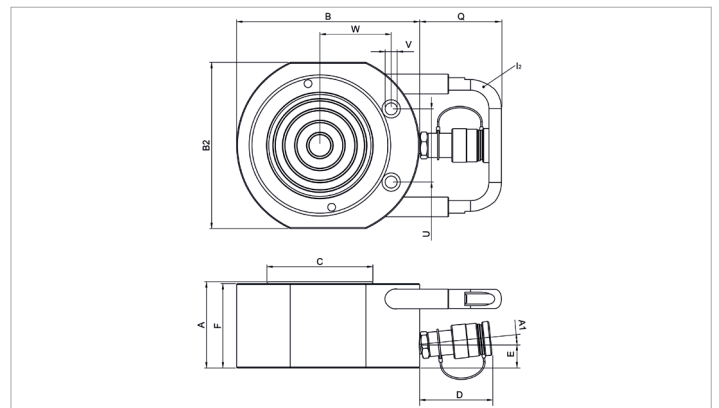
Technical specification sheet

HFC 10 S 1.5 | Flat Cylinder

Specifications		
article number		100.112.292
short description		Flat Cylinder
model		HFC 10 S 1.5
max. working pressure	bar/Mpa	720 / 72
tonnage	t	10
stroke	mm	15
closed height	mm	46
capacity	kN/t	99.8 / 10.2
effective pressure area	cm ²	13.9
required oil content (effective)	cc	28.8
connection		A 118
cylinder type		flat
acting type		single
return type		spring
material		steel
weight, ready for use	kg	1.6
ASME		B30.1

Technical drawing dimensions		
dimension A	mm	46
dimension B	mm	85
dimension B2	mm	55
dimension C	mm	36
dimension D	mm	76
dimension E	mm	19
dimension F	mm	46
dimension U	mm	37
dimension V	mm	7
dimension W	mm	34

Standard supplied with	
• High Flow female coupler A 118	



holmatro.com

© Holmatro 2020-10-03

While the greatest care has been devoted to the content, it is possible that the information in this printed matter is incorrect or incomplete. Holmatro B.V. and its affiliated companies (hereafter: Holmatro) cannot be held liable in any way for the consequences of activities undertaken on the basis of this printed matter. Values can vary within the manufacturer measurements. If you have any doubts about the correctness or completeness of the information, you shall contact Holmatro (T +31 (0)162-751480). Nothing from this printed matter can be copied and/or made public in any way without the explicit authorisation of Holmatro.