



Vibration Monitoring Unit Series HE205

MADE IN
GERMANY

SIL2

PL-d



IECEE



Proc. Cont. Eq.
for Ord. Loc.
Proc. Cont. Eq.
for Haz. Loc.



IECEX



- Vibration acceleration (g rms)
- ATEX / IECEx / EACEx Zone 2 / 22 and 1 / 21
- cULus OrdLoc / HazLoc Div 2
- 2 potential-free switching contacts (Window function)
- Analogue current output: 4–20 mA
- Frequency range: 10 Hz – 1000 Hz
1 Hz – 1000 Hz



Date of manufacture: _____

Type description: _____

Serial no.: _____

Operating instructions

Vibration Monitoring Unit Type HE205

Standard and ATEX / IECEx / EACEx

Version: 2021-08-25

Attention!

Prior to commissioning the product, the instruction manual must be read and understood.

All rights reserved, including rights to translation.
Subject to modifications.

Please contact the company with any questions:

HAUBER-Elektronik GmbH

Fabrikstraße 6

D-72622 Nürtingen

Germany

Tel.: +49 (0) 7022 / 21750-0

Fax: +49 (0) 7022 / 21750-50

info@hauber-elektronik.de

www.hauber-elektronik.de

1 Contents

1	Contents.....	3
2	Safety information	4
3	Scope of this instruction manual.....	5
4	Vibration monitoring HE205.....	5
5	Intended Use.....	5
6	Scope of supply	5
7	Documents and Certificates.....	6
8	Transfer of liability when operating in potentially explosive atmospheres.....	6
9	Overview of application areas.....	7
10	Example labels.....	8
11	Information on the cULus validity range	9
12	Functional safety instructions	10
12.1	Safety level / key indicators	10
12.2	General notes	10
12.3	Instructions for the Fail Safe State.....	10
13	Technical data.....	11
13.1	General data	11
13.2	Electrical data	11
13.3	Typical frequency response.....	12
13.4	Mechanical data.....	13
13.5	Housing dimensions.....	13
14	Connections	15
15	Functional description.....	16
15.1	Operating conditions.....	16
15.2	Alarm and limit setting	17
15.3	Limit values and delay times.....	18
16	Assembly and disassembly.....	19
16.1	General notes	19
16.2	Fixing the vibration monitoring unit to the mounting surface	19
16.3	Tamper protection.....	20
17	Installation and commissioning.....	21
17.1	General notes	21
17.2	Earthing concept.....	21
18	Maintenance and repair	22
18.1	General notes	22
18.2	Troubleshooting Table	22
19	Transport, storage and disposal	22
20	Coding HE205.....	24
21	EU declaration of conformity.....	25

2 Safety information

2.1 General

The safety instructions are intended to protect people and property from damage and hazards that could arise as the result of improper use, incorrect operation or other misuse or devices, especially in explosive areas. Therefore, please read the operating instructions carefully before working on the product or operating it. The operating instructions must be accessible to operating personnel at all times.

Please make sure that all documents are present and complete before commissioning or performing other work on the product. If the documents have not all been delivered in full or if further copies are necessary, they can also be obtained in other languages.

The product is built according to the latest state of the art. However, hazards to people, machinery and systems can still arise as the result of improper handling, unintended use or operation and maintenance by persons inadequately trained on the product.

All those who are involved in the installation, operation and maintenance of the product in the operator's plant must read and understand the operating instructions.

The product may only be assembled, disassembled, installed and repaired by instructed, sufficiently trained and authorised personnel.

2.2 Symbols used



This symbol indicates an explosion hazard.



This symbol indicates a hazard from electrical current.



This symbol indicates safety-related information.



This symbol indicates information unrelated to safety.

3 Scope of this instruction manual

This instruction manual for the HE205-type vibration monitoring unit applies to the following versions:

HE205.00, HE205.01 and HE205.02

The variants are functionally identical. The variants HE205.01 and HE205.02 have additional certifications and labels which permit use in potentially explosive atmospheres.

For further information, see chapter "Overview of application areas" on page 7.

4 Vibration monitoring HE205

The HE205 type vibration monitoring unit is used to measure and monitor the vibration acceleration of machinery. It offers the following features:

- Two limit values and associated delay timings can be adjusted separately.
- The two potential-free switching contacts will signal any exceeding of the relevant defined limit values. This can be used to generate an alarm.
- Measurement parameter: vibration acceleration (g rms).
- Analogue current output: Interference-free DC signal from 4-20 mA, proportional to the measuring range of the monitoring unit.
- A break on the monitoring cable can be detected by the subsequent evaluation device: DC signal value < 3.5 mA.

5 Intended Use

The HE205 is used to protect machines and mechanical equipment against undue strong vibrations. It may only be used in accordance with the specifications listed in the data sheet. It is used exclusively for measuring mechanical vibrations.

Main fields of application: Conveyors, screening equipment, drying and cooling equipment and similar oscillating mechanical equipment.



If the equipment is used in a manner not specified by the manufacturer, the protection provided by the equipment may be impaired.

6 Scope of supply

All versions include:

- Vibration monitoring
- Cylinder head screw with hex socket, M8 x 20 mm
- Seal label
- Operating instructions

7 Documents and Certificates

You can find the following documents and certificates for HE205 type at www.hauber-elektronik.de where they can be viewed and downloaded:

- EU type examination certificate ATEX, no.: UL 20 ATEX 2421 X Rev. 0
- Type examination certificate ATEX, no.: UL 21 ATEX 2570 X
- IECEx Certificate of conformity, no.: IECEx ULD 20.0022X
- UL Certificate of compliance, no.: E507077-20210204
- EACEx certificate, No.: %PLACEHOLDER%
- EAC Declaration
- Functional safety certificate (SIL 2)
- Safety manual SIL2







8 Transfer of liability when operating in potentially explosive atmospheres

The owner of the system is exclusively liable for the appropriate configuration of the electrical connections with respect to explosion protection regulations and correct commissioning.

If the system is installed by a sub-contractor on behalf of the owner, the system may only be commissioned after the sub-contractor has issued written confirmation in the form of a certificate of installation that the system has been installed correctly and professionally in accordance with the applicable legal regulations.

The operator is obliged to notify the responsible authorities of the initial commissioning of explosion-protected systems or system components and their re-commissioning following extensive changes or maintenance.

9 Overview of application areas

Version		1	2	3	4	5	6	
Coding		HE205.00.xx.xx.xx.00.xxx	HE205.00.xx.xx.xx.01.xxx	HE205.02.xx.xx.xx.00.xxx	HE205.02.xx.xx.xx.01.xxx	HE205.01.xx.xx.xx.00.xxx	HE205.01.xx.xx.xx.02.xxx	
Connection	M12 connector	x		x				
	Integrated cable		x		x	x	x	
Measuring head temperature T _M Ambient temperature T _A	-40 °C ≤ T _M ≤ 85 °C -40 °C ≤ T _A ≤ 60 °C	x		x		x		
	Limitation for application area cULus: -30 °C ≤ T _M ≤ 80 °C -30 °C ≤ T _A ≤ 60 °C		x		x		x	
CE IEC EAC		x	x	x	x	x	x	
 Proc. Cont. Eq. Ord. Loc	E507077	x	x	x	x			
Ex Zone 2 and 22	 II 3G Ex ec IIC T4 Gc II 3D Ex tc IIIC 135°C Dc			x	x			
	IECEX Ex ec IIC T4 Gc Ex tc IIIC 135°C Dc			x	x			
	 Proc. Cont. Eq. Haz. Loc. Class I, Division 2, Groups A, B, C and D, T4 Class II, Division 2 Groups F and G, T4	E516625			x	x		
	EACEx ?	?			x	x		
	 Ex ec IIC T4 Gc Ex tc IIIC 135°C Dc	UL-BR 21.1250X			x	x		
	CCC Ex nA IIC T4 Gc Ex tD A22 IP66/67 T135°C	No: 2021122315114599			x	x		
Ex Zone 1 and 21	 II 2G Ex db IIC T4 Gb II 2D Ex tb IIIC 135°C Db					x	x	
	IECEX Ex db IIC T4 Gb Ex tb IIIC 135°C Db					x	x	
	EACEx ?	?				x	x	
	 Ex db IIC T4 Gb Ex tb IIIC 135°C Db	UL-BR 21.1250X					x	x
	CCC Ex d IIC T4 Gb Ex tD A21 IP66/67 T135°C	No: 2021122315114599					x	x

10 Example labels

Variant 1 - HE205.00.xx.xx.xx.00.000

<p>Type: HE2xx.00.xx.xx.xx.00.000 Item-no.: 12345 Serial-no.: 123456 Measuring range V_{Er}: 0...xx mm/s Frequency range V_{Er}: xx...xxxx Hz</p>	MADE IN GERMANY	IEC	 	Manufacturer: (производитель) Hauber-Elektronik GmbH Fabrikstraße 6 72622 Nürtingen Germany (Германия) www.hauber-elektronik.de
			LISTED E507077 Proc. Cont. Eq. Ord. Loc.	
	 	$-40\text{ °C} \leq T_{Amb} \leq +60\text{ °C}$		
	IP 66/67 Type 4x Enclosure			

Variant 2 - HE205.00.xx.xx.xx.01.xxx

<p>Type: HE2xx.00.xx.xx.xx.01.xxx Item-no.: 12345 Serial-no.: 123456 Measuring range V_{Er}: 0...xx mm/s Frequency range V_{Er}: xx...xxxx Hz</p>	MADE IN GERMANY	IEC	 	Manufacturer: (производитель) Hauber-Elektronik GmbH Fabrikstraße 6 72622 Nürtingen Germany (Германия) www.hauber-elektronik.de
			LISTED E507077 Proc. Cont. Eq. Ord. Loc.	
	 	$-35\text{ °C} \leq T_{Amb} \leq +60\text{ °C}$		
	IP 66/67 Type 4x Enclosure			

Variant 3 - HE205.02.xx.xx.xx.00.000

<p>Type: HE2xx.02.xx.xx.xx.00.000 Item-no.: 12345 Serial-no.: 123456 Measuring range V_{Er}: 0...xx mm/s Frequency range V_{Er}: xx...xxxx Hz</p>	MADE IN GERMANY	IECEx	 	Manufacturer: (производитель) Hauber-Elektronik GmbH Fabrikstraße 6 72622 Nürtingen Germany (Германия) www.hauber-elektronik.de
			II 3G Ex ec IIC T4 Gc II 3D Ex to IIIC T135°C Dc UL 21 ATEX 2570X IECEx ULD 20.0022X UL-BR 21.1250X	
	 	Proc. Cont. Eq. Haz. Loc. Class I, Div 2, Groups A, B, C and D, T4 Class II, Div 2, Groups F and G, T4 $-40\text{ °C} \leq T_{Amb} \leq +60\text{ °C}$		
	IP 66/67 Type 4x Enclosure			

Variant 4 - HE205.02.xx.xx.xx.01.xxx

<p>Type: HE2xx.02.xx.xx.xx.01.xxx Item-no.: 12345 Serial-no.: 123456 Measuring range V_{Er}: 0...xx mm/s Frequency range V_{Er}: xx...xxxx Hz</p>	MADE IN GERMANY	IECEx	 	Manufacturer: (производитель) Hauber-Elektronik GmbH Fabrikstraße 6 72622 Nürtingen Germany (Германия) www.hauber-elektronik.de
			II 3G Ex ec IIC T4 Gc II 3D Ex to IIIC T135°C Dc UL 21 ATEX 2570X IECEx ULD 20.0022X UL-BR 21.1250X	
	 	Proc. Cont. Eq. Haz. Loc. Class I, Div 2, Groups A, B, C and D, T4 Class II, Div 2, Groups F and G, T4 $-35\text{ °C} \leq T_{Amb} \leq +60\text{ °C}$		
	IP 66/67 Type 4x Enclosure			

Variant 5 - HE205.01.xx.xx.xx.00.xxx

<p>Type: HE2xx.01.xx.xx.xx.00.xxx Item-no.: 12345 Serial-no.: 123456 Measuring range V_{Er}: 0...xx mm/s Frequency range V_{Er}: xx...xxxx Hz</p>	MADE IN GERMANY	IECEx	 	Manufacturer: (производитель) Hauber-Elektronik GmbH Fabrikstraße 6 72622 Nürtingen Germany (Германия) www.hauber-elektronik.de
			II 2G Ex db IIC T4 Gb II 2D Ex tb IIIC T135°C Db UL 20 ATEX 2421X IECEx ULD 20.0022X UL-BR 21.1250X	
	 	$-40\text{ °C} \leq T_{Amb} \leq +60\text{ °C}$		
	IP 66/67 Type 4x Enclosure			

Variant 6 - HE205.01.xx.xx.xx.02.xxx

<p>Type: HE2xx.01.xx.xx.xx.02.xxx Item-no.: 12345 Serial-no.: 123456 Measuring range V_{Er}: 0...xx mm/s Frequency range V_{Er}: xx...xxxx Hz</p>	MADE IN GERMANY	IECEx	 	Manufacturer: (производитель) Hauber-Elektronik GmbH Fabrikstraße 6 72622 Nürtingen Germany (Германия) www.hauber-elektronik.de
			II 2G Ex db IIC T4 Gb II 2D Ex tb IIIC T135°C Db UL 20 ATEX 2421X IECEx ULD 20.0022X UL-BR 21.1250X	
	 	$-20\text{ °C} \leq T_{Amb} \leq +60\text{ °C}$		
	IP 66/67 Type 4x Enclosure			

11 Information on the cULus validity range

In order to install the device according to the UL/CSA/IEC standard, the following information must be observed.

Electrical protection



Devices must be protected by means of fuses, circuit breakers, overheating protection, impedance-limiting switches or similar to ensure protection against excessive power output if there is a fault in the device. Protection must be applied to supply lines and switching lines.



A circuit breaker suitable for 30V/3A according to UL Standard 489/CSA Standard (C22.2) no. 5/IEC 60947-2 must be installed near the device.



A fuse suitable according to UL Standard 248/CSA Standard (C22.2) no. 248/IEC 60127 must be installed near the device. The fuse must have a slow triggering characteristic ("T").

Limited temperature range

The following temperature ranges apply for variants with integrated cable:

Measuring head temperature	$-30\text{ °C} \leq T_M \leq +80\text{ °C}$
Ambient temperature	$-30\text{ °C} \leq T_{Amb} \leq +60\text{ °C}$

12 Functional safety instructions

12.1 Safety level / key indicators

The HE205 vibration monitoring hardware was tested by TÜV Süd. The results meet the criteria according to SIL2 and PI-d.

MTTF	984898h = 112,43 years
DC _{avg}	>90% Diagnostic Coverage
MTTF _d	2889526h = 329,85 years = LOW
CCF	100 (fulfilled)

Further safety metrics and information can be found in the safety manual.

12.2 General notes



A reboot of the vibration monitoring unit must be performed annually in order to test the switching of potential-free switching contacts.

12.3 Instructions for the Fail Safe State

When the power supply is switched on, the vibration monitoring unit will perform a self-test. During operation, self-tests are performed automatically in cycles. If a self-test fails, the vibration monitoring unit switches to the Fail Safe State. In the Fail Safe State all status LEDs are lit, all potential-free switching contacts are open and the analogue current output supplies 0 mA.

13 Technical data

13.1 General data



Each sensor has one of the listed measuring and frequency ranges. Further ranges on request.

Please indicate the measuring and frequency range in your request.

Measuring range:	0 – 1 g rms 0 – 2 g rms 0 – 4 g rms 0 – 6 g rms 0 – 8 g rms 0 –10 g rms
Measuring accuracy:	± 10% (as per DIN ISO 2954)
Transverse sensitivity:	< 5%
Frequency range:	10 Hz–1,000 Hz (standard) 1 Hz–1000 Hz
Calibration point:	159.2 Hz and 90% amplitude of measuring range
Ready delay:	10 sec seconds
Maximum acceleration:	±16.5 g
Lifetime:	10 years

Tab. 1: General data

13.2 Electrical data

Output signal:	1 x 4-20 mA (proportional to the measuring range)
Switching contact:	2 x potential-free switching contacts (pre- and main alarm)
Switching contact switching load:	1A / 30 V DC
Power supply:	24 V DC ± 10%
Power input (max.):	100 mA
Load/output load (max.):	500 Ω
Automatic:	As soon as the vibration values fall below the limit values, the potential-free switching contacts automatically re-energize.

Tab. 2: Electrical data

13.3 Typical frequency response

10 Hz–1,000 Hz (standard)

The frequency response is recorded using a reference sensor.

- 4 Hz. . . 1200 Hz acceleration sensor

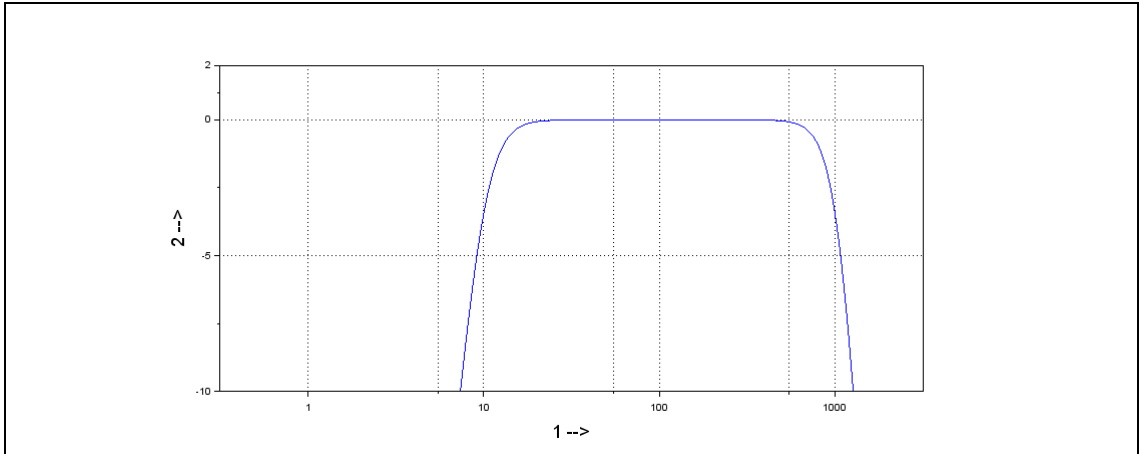


Fig. 1: Typical frequency response 10 Hz–1000 Hz

- 1 Frequency in Hz
- 2 Amplification in dB

1 Hz–1000 Hz

The frequency response is recorded using two reference sensors.

- 1 Hz. . . 10 Hz laser sensor
- 10 Hz. . . 1200 Hz acceleration sensor

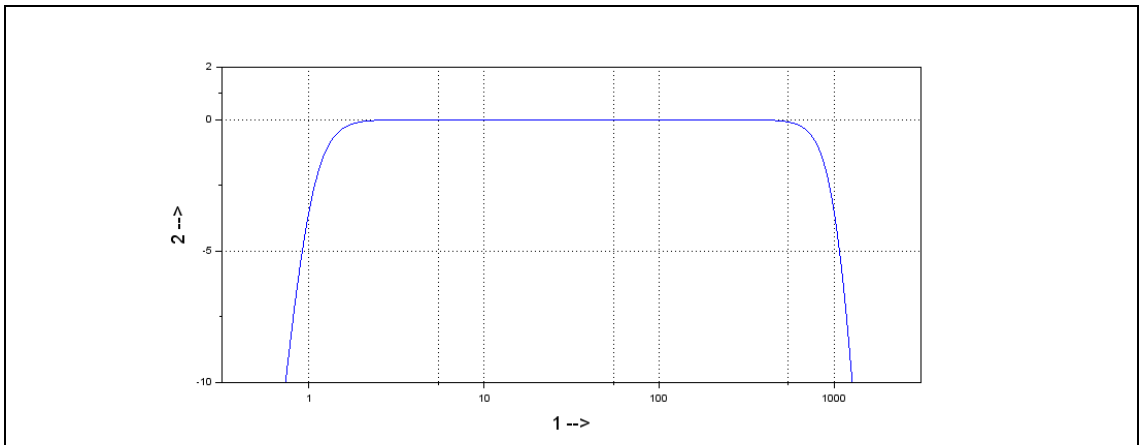


Fig. 2: Typical frequency response 1 Hz–1000 Hz

- 1 Frequency in Hz
- 2 Amplification in dB

13.4 Mechanical data



For more information see Section "Coding" on page 24.

Housing material:	Stainless steel V2A, material no.: 1.4305 (standard)
Fastening:	Cylinder head Allen screw M8 x 20 mm Thread pitch: 1.25 mm (standard)
Mounting:	Housing must be earthed via the M8 fastening
Cover tightening torque:	5 Nm
Measuring direction:	Along the fastening axis
Weight:	approx. 500 g
Protection class:	Cover and plug connection closed: IP 66/67 Type 4X Enclosure Product is suitable for outdoor applications
Max. humidity:	100%

Tab. 3: Mechanical data

13.5 Housing dimensions

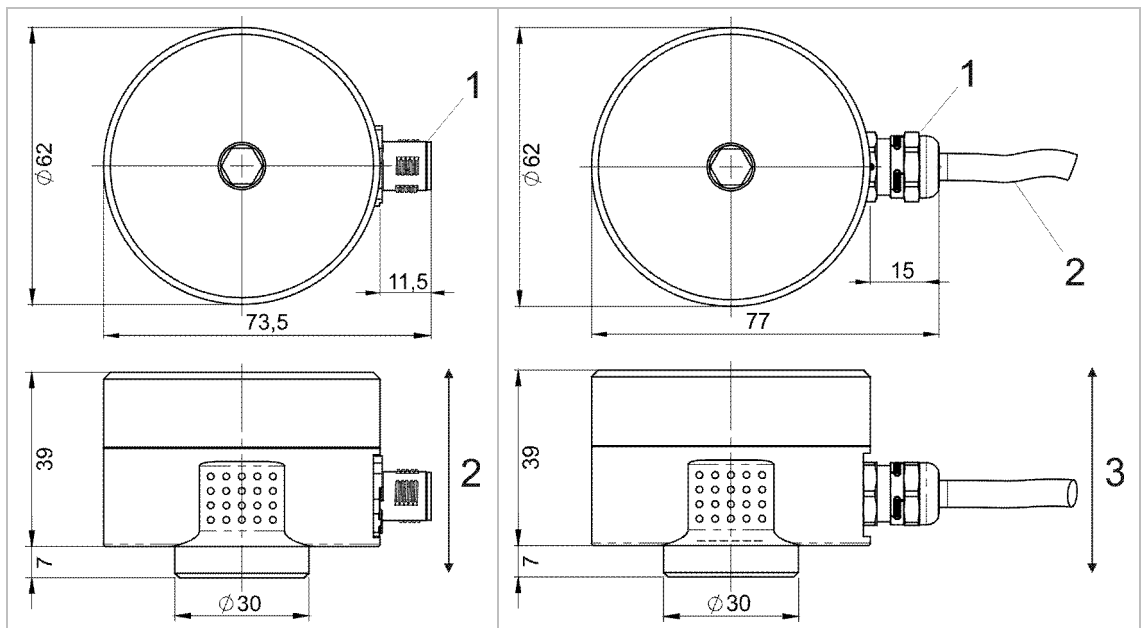


Fig. 3: Housing with M12 connector

- 1 M12 connector
- 2 Measuring direction

Fig. 4: Housing with integrated cable

- 1 Cable gland
- 2 Connecting cable
- 3 Measuring direction

All measurements
in mm

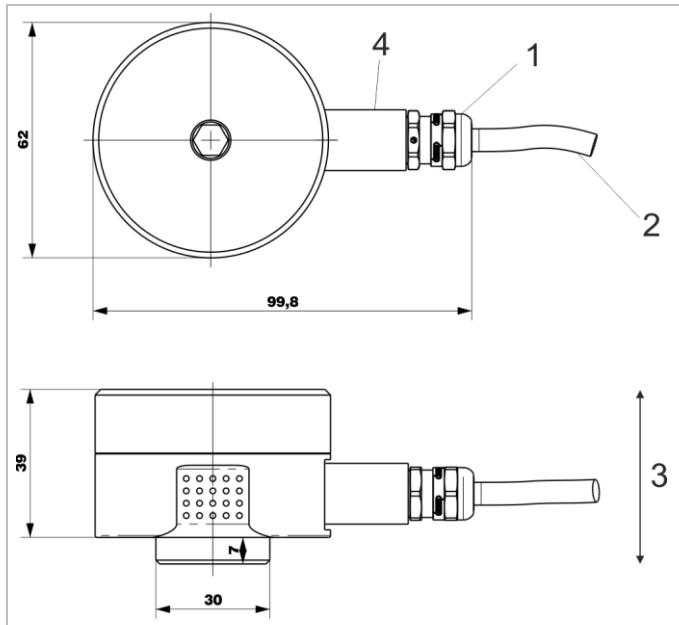


Fig. 5: Housing with integrated cable and clamp sleeve base for protective metal hose

- 1 Cable gland
- 2 Connecting cable
- 3 Measuring direction
- 4 Clamp sleeve base for protective metal hose

14 Connections


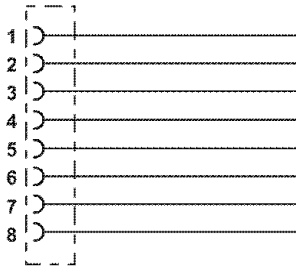
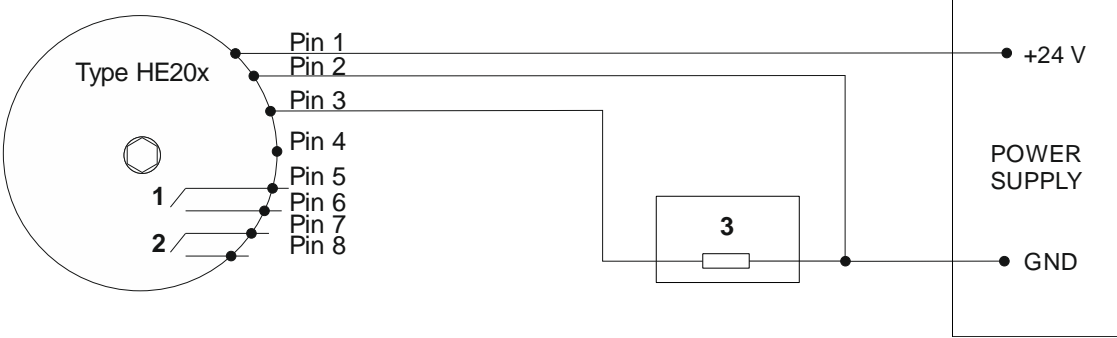
Version:		M12 connector	
	Pin 1:	24 V DC	
	Pin 2:	GND	
	Pin 3:	4-20 mA output signal	
	Pin 4:	NC (Not connected)	
	Pin 5:	Potential-free switching contact 1 +	
	Pin 6:	Potential-free switching contact 1 -	
	Pin 7:	Potential-free switching contact 2 +	
	Pin 8:	Potential-free switching contact 2 -	
Version:		Integrated cable	
	Pin 1:	white	24 V DC
	Pin 2:	brown	GND
	Pin 3:	green	4-20 mA output signal
	Pin 4:	yellow	NC (Not connected)
	Pin 5:	grey	Potential-free switching contact 1 +
	Pin 6:	pink	Potential-free switching contact 1 -
	Pin 7:	blue	Potential-free switching contact 2 +
	Pin 8:	red	Potential-free switching contact 2 -
Wiring diagram:			
			

Fig. 6: Wiring diagram

- 1 Potential-free switching contact 1 (Pin 5: + , Pin 6: -)
- 2 Potential-free switching contact 2 (Pin 7: + , Pin 8: -)
- 3 Evaluation unit



The wiring diagram shows the alarm status or the current status! Potential-free switching contacts 1 and 2 are open.

15 Functional description



In an explosive atmosphere the vibration monitoring unit HE205 will only be opened in a de-energized state.

The type HE205 is used for monitoring vibration acceleration.

If the acceleration value is below or above the adjustable window area,

an alarm will be triggered. The vibration monitoring contains two channels independent from each other, LIM1 and LIM2. The lower limit value of the window area is adjusted on LIM1 and the upper limit value is adjusted on LIM2 (see chart).

The HE205 type also has an analogue current output. This supplies direct current of 4-20 mA proportional to the vibration amplitude.

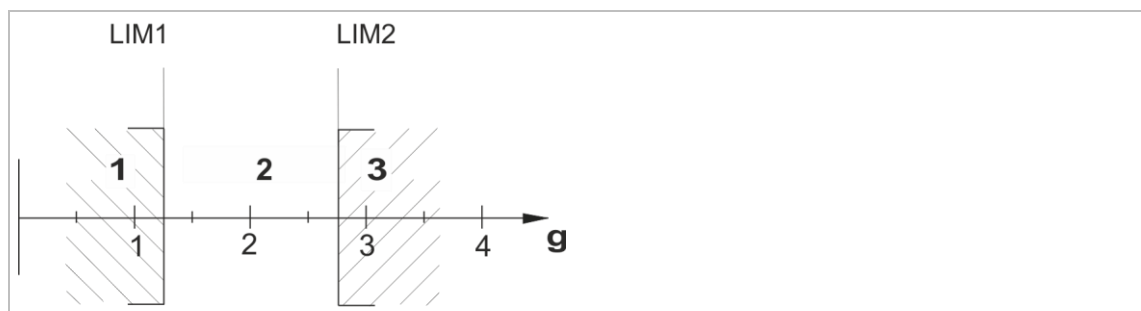


Fig. 7: Window function

- 1 Alarm for values below LIM1
- 2 Window area
- 3 Alarm for values above LIM2

15.1 Operating conditions

Operating state	Reading	Switching contacts	LED status
OK	Within limit values	Closed	green
WARNING	Outside of limit values, delay time runs	Closed	green + yellow
ALARM	Outside of limit values, delay time expired	Open	red
Fail Safe State	0 mA	Open	red + yellow + green
De-energized	0 mA	Open	All LEDs off

Tab. 4: Operating conditions

15.2 Alarm and limit setting

By pressing the "Save Config" button, the current configuration is displayed by the LEDs around the HEX switches. For further information, see chapter "Limit values and delay times" on page 18.

The limit values and delay times are calibrated using the respective HEX switch. As soon as a switch position is changed, the LEDs around the Hex switch start to blink. The number of blinking LEDs represents the current position of the HEX switch. To save the configuration, press and hold down the "Save Config" button for three seconds. Acceptance of the configuration is signalled by steady lighting up of the LEDs in the selected HEX switch position.

After about five minutes the LEDs turn off automatically.

15.3 Limit values and delay times

SET Position ↓	Limit values (g)					
Measuring range →	0-1 g	0-2 g	0-4 g	0-6 g	0-8 g	0-10 g
0	0	0	0	0	0	0
1	0.063	0.125	0.25	0.375	0.5	0.625
2	0.125	0.25	0.5	0.75	1	1.25
3	0.188	0.375	0.75	1.125	1.5	1.875
4	0.25	0.5	1	1.5	2	2.5
5	0.313	0.625	1.25	1.875	2.5	3.125
6	0.375	0.75	1.5	2.25	3	3.75
7	0.438	0.875	1.75	2.625	3.5	4.375
8	0.5	1	2	3	4	5
9	0.563	1.125	2.25	3.375	4.5	5.625
10	0.625	1.25	2.5	3.75	5	6.25
11	0.688	1.375	2.75	4.125	5.5	6.875
12	0.75	1.5	3	4.5	6	7.5
13	0.813	1.625	3.25	4.875	6.5	8.125
14	0.875	1.75	3.5	5.25	7	8.75
15	0.938	1.875	3.75	5.625	7.5	9.375

Tab. 5: Limit values

The **SET rotary button** has 16 positions, representing the limit value of an alarm. The measuring range of the vibration monitoring unit is divided into 16 linear steps.

$$\text{In general: } \text{limit value} = \frac{\text{upper limit measuring range}}{16} \times \text{SET position}$$

Example: Limit setting

Measuring range: 0–4 g
 SET rotary button Pos.: 8 (9)
 Limit value: 2 g (2.25 g)

Delay times

TIME Position	0	1	2	3	4	5	6	7	8	9	10	11	12	13	14	15
Delay time (secs)	0	1	2	3	4	5	7.5	10	12.5	15	17.5	20	25	30	45	60

Tab. 6: Delay times

16 Assembly and disassembly

16.1 General notes

Assembly and disassembly work on and with the monitoring unit may only be performed by an authorised specialist familiar with the safety regulations governing handling electrical components! When using EX-certified monitoring units in potentially explosive atmospheres, the professional must also be familiar with the relevant safety regulations!



Before assembly and disassembly disconnect the monitoring unit from the power supply! Separate plug connections must always be de-energized! If EX-certified monitoring is operated in a potentially explosive atmosphere, there is otherwise an explosion hazard, due to spark formation!



The monitoring unit housing must be earthed via the fastening - through the machine earth of the mounting surface or through a separate protective conductor (PE)!

16.2 Fixing the vibration monitoring unit to the mounting surface

Prerequisites

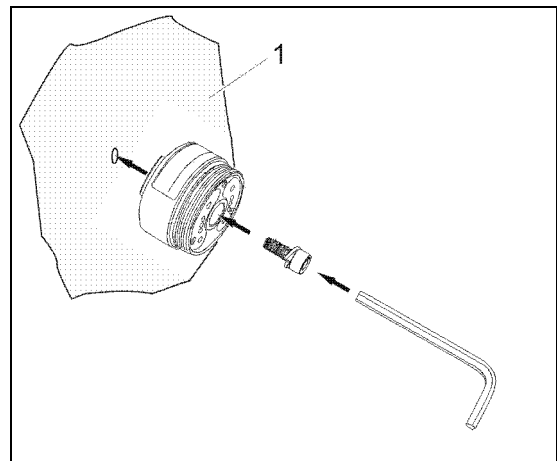
- Mounting surface is clean and even; i.e. free of paint, rust, etc.
- Threaded hole in mounting surface: 15 mm, M8

Tools and material

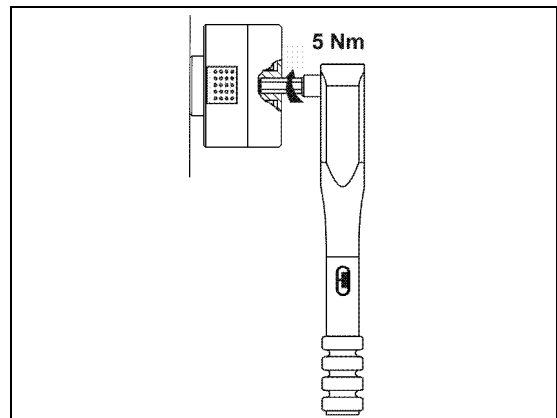
- Hex socket key SW 6, SW 8
- Torque wrench SW 6, SW 8
- Cylinder head screw with hex socket M8x20
- Spring washers for M8

Work steps and instructions

- Unscrew housing cover from housing base; Allen key 8 mm
- Attach monitoring unit using cylinder head screws and spring washers with 8 Nm on mounting surface; Allen key 6 mm
- Screw the housing cover back onto the housing base and tighten to 5 Nm; Allen key 8 mm



Fastening on mounting surface (1)



Tighten housing cover with torque wrench (2)



In order to avoid cold welding of the housing cover to the housing base, the thread is treated ex-works with an assembly paste for stainless steel connections.

16.3 Tamper protection
Attach seal labels

The "SEALED" seal label reveals any unauthorised opening of the housing cover.

After installation of the housing cover by the system operator, the seal label shall be attached to the side above the housing joint.

If any tampering is attempted, the seal label is destroyed and the tampering will be visible to the system operator

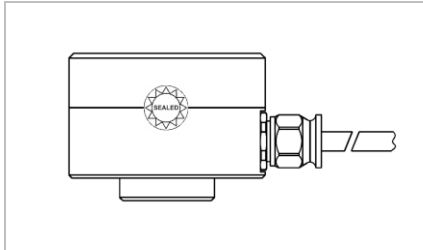


Fig. 8: Seal label

17 Installation and commissioning

17.1 General notes

Installation and commissioning of the vibration monitoring unit may only be performed by an authorised specialist familiar with the safety regulations governing handling electrical components. When installing and commissioning EX-certified monitoring units in potentially explosive atmospheres, the professional must also be familiar with the relevant safety regulations!



The commissioning will only be carried out with the housing cover correctly screwed on (tightening torque = 5 Nm)! If EX-certified monitoring is operated in a potentially explosive atmosphere, there is otherwise an explosion hazard, due to spark formation!



Protect the connection cable and any extension cable from electrical interference and mechanical damage! Local regulations and instructions must be observed in doing so!

17.2 Earthing concept

The earthing concept intends that the shielding of the cable is electrically connected to the housing of the sensor via the knurled nut and is at earth potential at the evaluation unit or at the control cabinet. In case of long cable lengths, it is recommended to disconnect the shield at the evaluation unit (4) to avoid compensating currents via the shield.

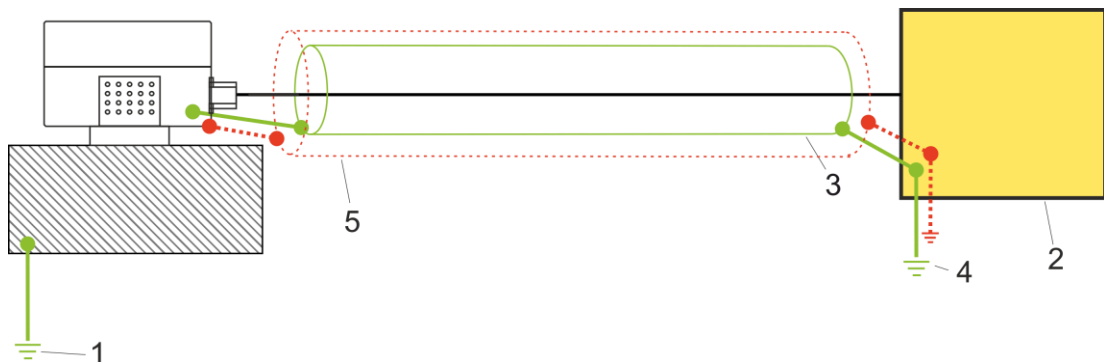


Fig. 9: Earthing concept HE205

- 1 Machine earth
- 2 Evaluation unit (measuring device, PLC, etc.)
- 3 Cable shielding
- 4 Earth potential evaluation unit
- 5 Optional protective metal hose (Only available for variants with an integrated cable)

18 Maintenance and repair

18.1 General notes



Repair and cleaning work on vibration monitoring units may only be performed by an authorised specialist familiar with the safety regulations governing handling electrical components.



Before repair and cleaning disconnect the monitoring unit from the power supply! Separate plug connections must always be de-energized!



Immediately replace defective connection cables!
A defective vibration monitoring unit must be completely replaced!



The vibration monitoring unit HE205 is maintenance-free!

18.2 Troubleshooting Table

Fault	Cause	Action
No measured value (4-20 mA)	No power supply	Check power source and/or supply
	Discontinuity in connecting cable	Replace connecting cable
	Fuse defective	Replace fuse
	Connection has incorrect polarity	Connection of correct pole
	Vibration monitoring unit faulty	Replace Vibration Monitoring Unit
Switching contact doesn't switch	Wrong limit value set	Set correct limit value
	No power supply	Check power source and/or supply
	Discontinuity in connection	Replace connecting cable
	Fuse defective	Replace fuse
	Connection has incorrect polarity	Connection of correct pole
	Defective monitoring unit	Replace monitoring unit
Incorrect Reading	Vibration monitoring unit not mounted in a friction-locked manner	Mount vibration monitoring unit in a friction-locked manner
	Vibration monitoring unit installed in wrong place	Install vibration monitoring unit in correct place
	EMC problems	See "Earthing concept" on page 21.

Tab. 7: Troubleshooting Table

19 Transport, storage and disposal

The sensor must be protected from damaging environmental factors and mechanical damage during transport with the use of adequate packing.

The sensor may not be stored in ambient temperatures outside the permitted operating temperature.

The product contains electronic components and must be disposed of properly in accordance with local laws and regulations.

20 Coding HE205

HE205.	00.	2g.	01.	00.	00.	000
--------	-----	-----	-----	-----	-----	-----

HE series

205 = Monitoring SIL2
 4-20 mA ~ g rms
 free limit values (Window function)

ATEX / IECEx / EACEx

00 = no ATEX / IECEx / EACEx
 01 = ATEX / IECEx / EACEx (Zone 1 / 21)
 02 = ATEX / IECEx / EACEx (Zone 2 / 22)

Measuring range

1g = 1 g rms
 2g = 2 g rms
 4g = 4 g rms
 6g = 6 g rms
 8g = 8 g rms
 10g = 10 g rms

Frequency range

00 = 10 – 1000 Hz (standard)
 01 = 1 – 1000 Hz

Housing material

00 = 1.4305 (V2A) (standard)
 01 = 1.4404 (V4A)
 50 = 1.4305 (V2A) with adaptation for metal protection hose
 51 = 1.4404 (V4A) with adaptation for metal protection hose

Temperature range

00 = -40°C to 85°C
 01 = -35°C to 125°C
 02 = -20°C to 125°C

Connection

000 = M12 connector (standard)
 020 = 2 m integrated cable
 050 = 5 m integrated cable
 100 = 10 m integrated cable



Is your desired configuration not listed? Please contact us and we can offer you a solution for your specific needs.

21 EU declaration of conformity

Declaration of conformity

HAUBER-Elektronik GmbH
 Fabrikstraße 6
 D-72622 Nürtingen

declares under its sole responsibility that the products listed below, to which this declaration refers, comply with the essential health and safety requirements of the directives and standards listed below.

Product series

HE200, HE205, HE250, HE255

ATEX Annex

UL International Demko A/S certifies as **Notified Body No. 0539** under the European Community Council Directive of February 26th 2014 (2014/34/EU) that the manufacturer maintains a production quality system that complies with **Annex IV** of this Directive.

Affixed CE-Marking



Marking and certificates

HE200.02 / HE205.02 / HE250.02 / HE255.02

Marking	Certificate
II 3G Ex ec IIC T4 Gc II 3D Ex tc IIIC 135°C Dc	UL 21 ATEX 2570 X

HE200.01 / HE205.01 / HE250.01 / HE255.01

Marking	Certificate
II 2G Ex db IIC T4 Gb II 2D Ex tb IIIC 135°C Db	UL 20 ATEX 2421 X Rev. 0

Unterschrift

Nürtingen, den 03.05.2021

Place and date

Tobias Bronkal, managing proprietor

Directives and standards

EU-Directive	Standard
2014/30/EU	EN 61000-6-7:2015 EN 61000-6-3:2007 + A1:2011 EN55011:2016 + A1:2017
2014/34/EU	IEC 60079-0:2017 + Corr.1:2020 + I-SH01:2019 + I-SH02:2019 IEC 60079-1:2014 + Corr. 1:2018 + I-SH01:2020 IEC 60079-7:2017 IEC 60079-31:2013