

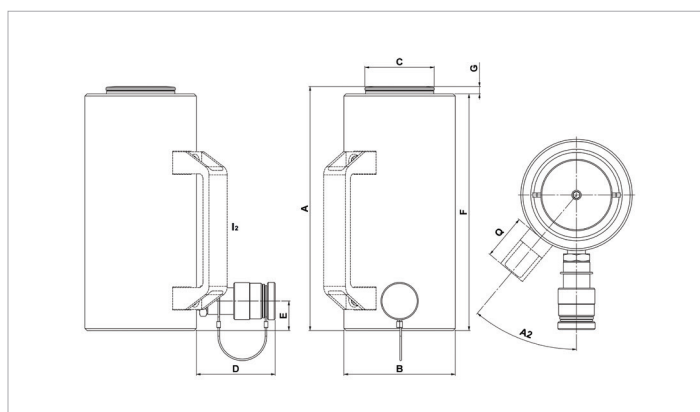
Technical specification sheet

HAC 50 S 15 | Aluminium Cylinder

Specifications		
article number		100.112.263
short description		Aluminium Cylinder
model		HAC 50 S 15
max. working pressure	bar/Mpa	720 / 72
tonnage	t	50
stroke	mm	150
closed height	mm	283
capacity	kN/t	510.4 / 52
effective pressure area	cm ²	70.9
required oil content (effective)	cc	1063
connection		A 118
cylinder type		standard
acting type		single
return type		spring
material		aluminium
weight, ready for use	kg	9.6
ASME		B30.1

Technical drawing dimensions		
dimension A	mm	283
dimension B	mm	130
dimension C	mm	72
dimension D	mm	76
dimension E	mm	30
dimension F	mm	275
dimension G	mm	8
dimension Q	mm	44
angle A2	°	40
l type		[I2]

Standard supplied with
<ul style="list-style-type: none"> • High Flow female coupler A 118 • Flat saddle



holmatro.com

© Holmatro 2021-09-11

While the greatest care has been devoted to the content, it is possible that the information in this printed matter is incorrect or incomplete. Holmatro B.V. and its affiliated companies (hereafter: Holmatro) cannot be held liable in any way for the consequences of activities undertaken on the basis of this printed matter. Values can vary within the manufacturer measurements. If you have any doubts about the correctness or completeness of the information, you shall contact Holmatro (T +31 (0)162-751480). Nothing from this printed matter can be copied and/or made public in any way without the explicit authorisation of Holmatro.